



BESTOP

Installation Instructions

For: CJ7 and Wrangler with Factory Hard Top

Part Number 90005

Congratulations on your purchasing decision. Bestop designed the Duster to give you years of dependability and performance with proper care. If you encounter any problems during the installation of your Duster, or at any later date, please contact your authorized Bestop dealer or call our Consumer Response Department, Monday - Friday, 8AM - 4:30PM (MST) at 1-800-346-3910 or (303) 465-1755 in Colorado.

All hardware required in the installation of this product, except the tailgate retainer (Part Number 270.28), must be removed from the vehicle for re-installation of the factory hard top.

WARNING

This product is designed primarily to enhance the appearance of the vehicle and to shield the occupants from ordinary weather conditions. Do not rely in any way on the components of this product to contain occupants within the vehicle, or to protect against injury or death in the event of an accident. This top will not protect the occupants from falling objects. Never operate vehicle in excess of manufacturer's specifications.

WEAR SEAT BELTS AT ALL TIMES

Read and follow, precisely, all installation instructions provided when installing top. Failure to do so may result in a poor fitting top and could place occupants of the vehicle in a potentially dangerous situation.

Installation Tips

Before you begin installing this Duster assembly, read all instructions thoroughly. Below are a few tips to make this installation easier.

For a smooth fit:

For ease in installation, the Duster should be installed at temperatures above 72° F. Below this temperature, the fabric may contract an inch or more, making it difficult to fit to the vehicle.

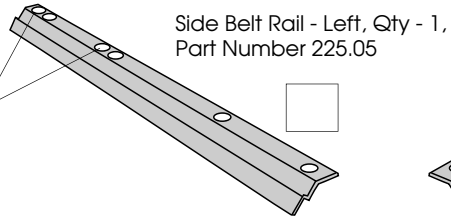
It is normal for the fabric to contract and wrinkle when stored in the shipping carton. Within a few days after the installation, the fabric will relax and the wrinkles will disappear.

Parts List and Hardware Identification

Duster

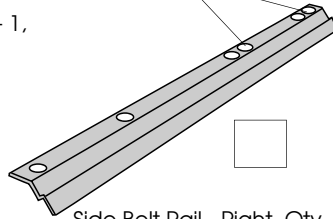
Qty - 1

The first in each pair of double holes will not be used.

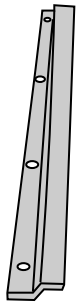


Side Belt Rail - Left, Qty - 1,
Part Number 225.05

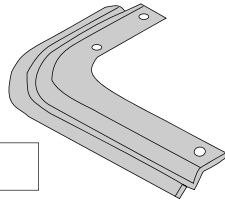
The first in each pair of double holes will not be used.



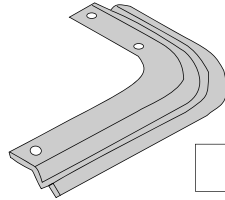
Side Belt Rail - Right, Qty - 1,
Part Number 225.04



Tailgate Retainer, Qty - 1,
Part Number 270.28

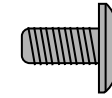
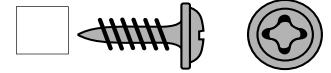


Corner Belt Rail, Right, Qty - 1,
Part Number 226.98

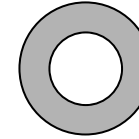


Corner Belt Rail, Left, Qty - 1,
Part Number 226.99

#8 x 1/2" Pan Head Washer Screw - Black, Qty - 2, Part Number 200.48



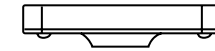
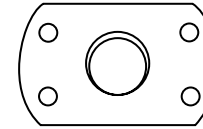
#10-24 Truss Head Machine Screw - Black, Qty - 2, Part Number 195.92



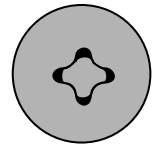
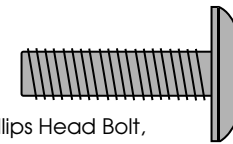
5/16" Black Washer,
Qty - 14, Part Number
233.04



#10-24 Locknut, Qty - 2,
Part Number 195.93



5/16-18 Tapping Plate, Qty - 14,
Part Number 200.50



5/16-18 x 1" Phillips Head Bolt,
Qty - 14, Part Number 236.20

Tools Needed

1/8", 5/32", 7/32", 3/8" Drill Bits
Adjustable Wrench and Drill Motor
Center Punch
Pencil

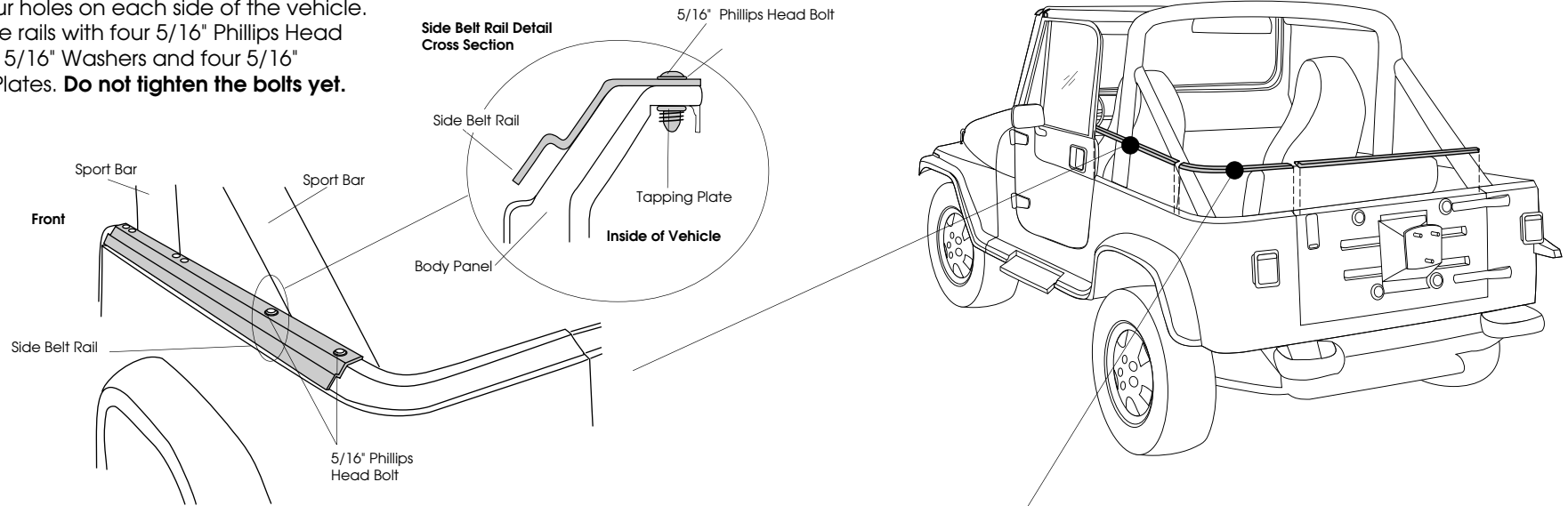
Phillips Screwdriver
Hammer



90005 2

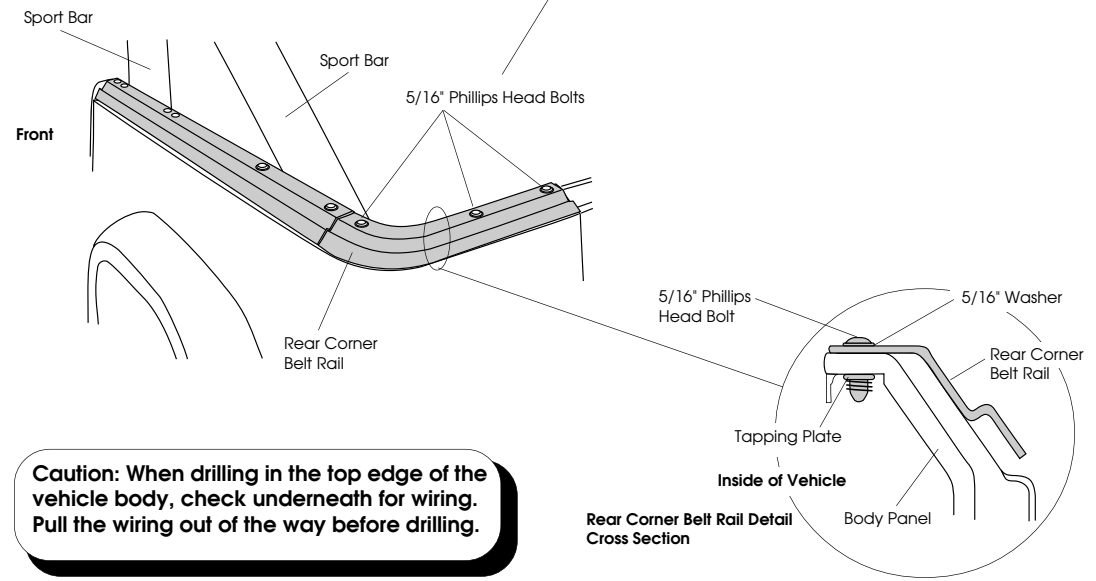
Step One

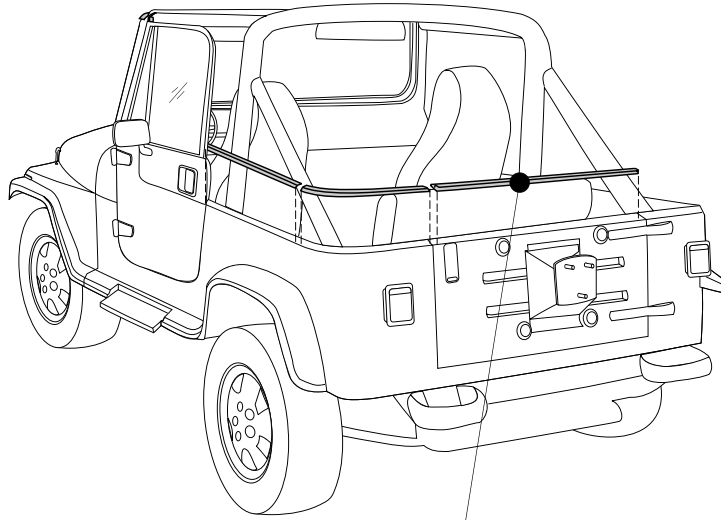
Install the Left and Right Side Belt Rails on each side of the vehicle. Place the Belt Rails on the four holes on each side of the vehicle. Secure the rails with four 5/16" Phillips Head Bolts, four 5/16" Washers and four 5/16" Tapping Plates. **Do not tighten the bolts yet.**



Step Two

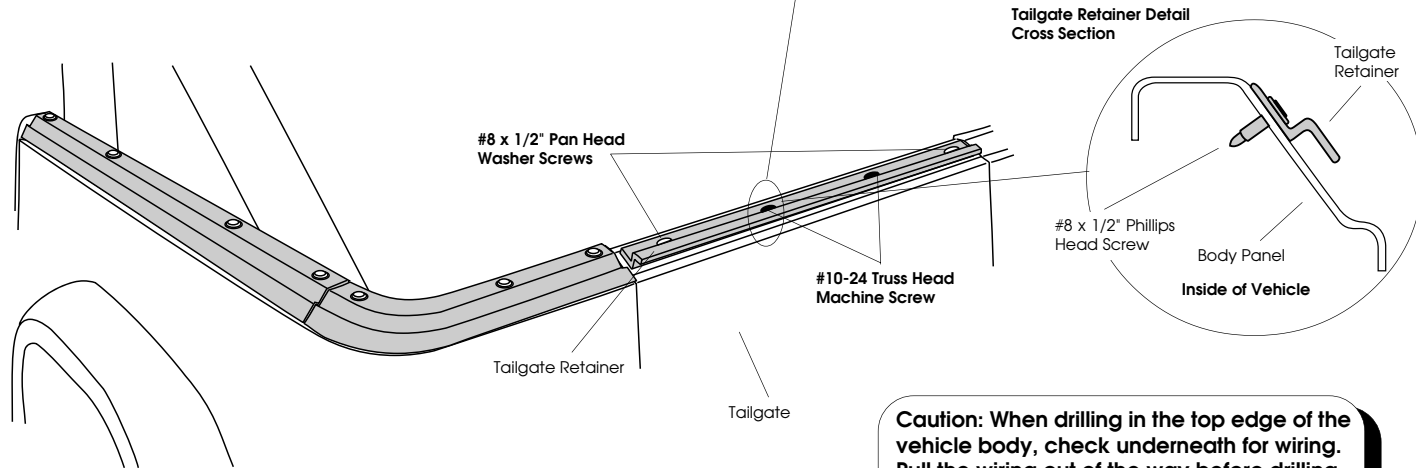
Install the Left and Right Rear Corner Belt Rails on each side of the vehicle. Place the Corner Belt Rails on the holes on each side of the vehicle. The second hole at the rear may not be cut out. Mark the location with a pencil. Center punch the marked location and use a 5/32" Drill Bit to drill a pilot hole. Then drill a 3/8" hole. Install the Corner Belt Rails with three 5/16" Phillips Head Bolts, Three 5/16" Washers and three 5/16" Tapping Plates. **Tighten the bolts, including the bolts on the Side Belt Rails.**





Step Three

Install the Tailgate Belt Rail flush with the top of the bevel on the tailgate. Use the Belt Rail as a template to mark, center punch and drill a 1/8" hole on each end of the Belt Rail. Install the Belt Rail with two #8 x 1/2" Pan Head Washer Screws. Then drill two 7/32" holes in the middle of the Belt Rail and secure it with the #10-24 Truss Head Machine Screws and the #10-24 Locknuts.



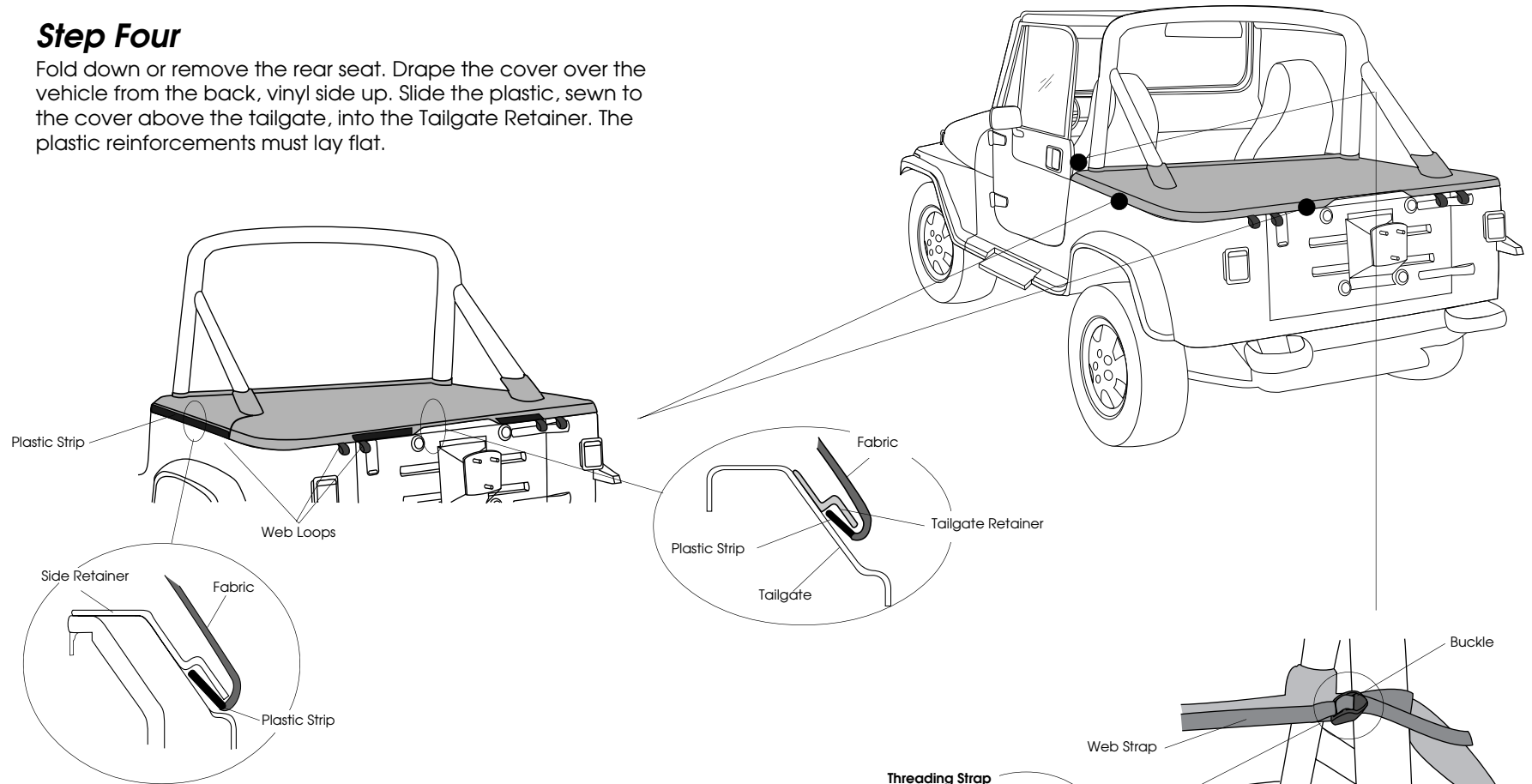
Caution: When drilling in the top edge of the vehicle body, check underneath for wiring. Pull the wiring out of the way before drilling.



90005 4

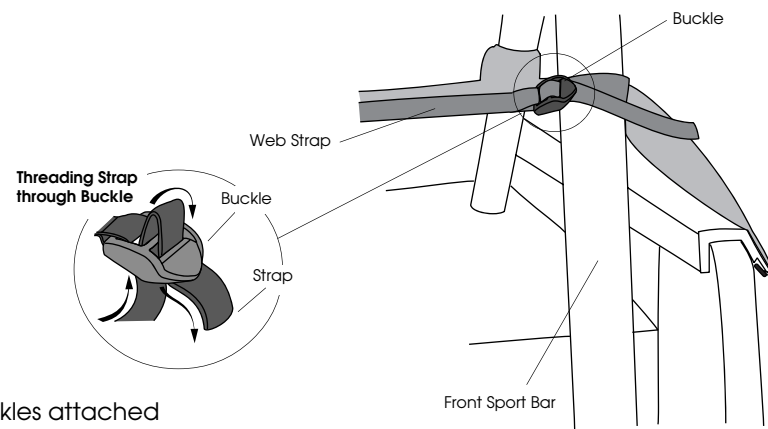
Step Four

Fold down or remove the rear seat. Drape the cover over the vehicle from the back, vinyl side up. Slide the plastic, sewn to the cover above the tailgate, into the Tailgate Retainer. The plastic reinforcements must lay flat.



Step Five

Use the web loops sewn to the cover, to slide the plastic strips on the sides into the Side Retainers.

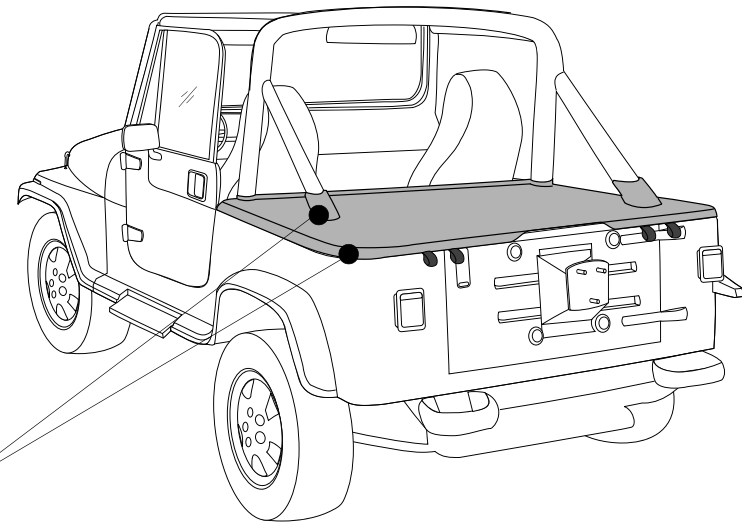
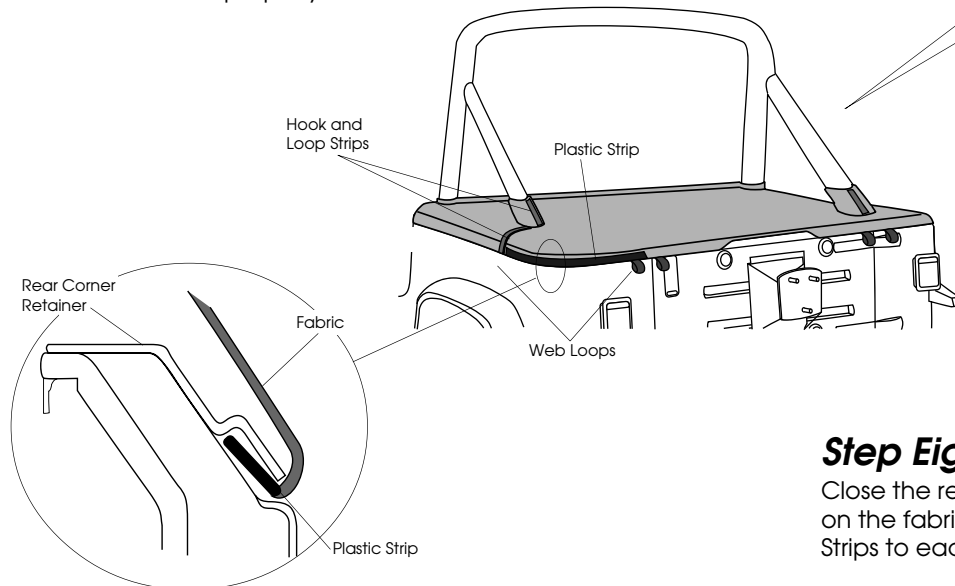


Step Six

Locate the web straps with buckles attached on the front of the Duster. Wrap the straps around the front sport bars and thread the ends through the buckles.

Step Seven

Slide the plastic strip, sewn into the rear corners of the cover into the Corner Retainers. Use the web loop sewn to the cover to slide the plastic strip toward the front of the vehicle and make sure that the plastic strip fits up into the retainer so that the collar fits properly.



Step Eight

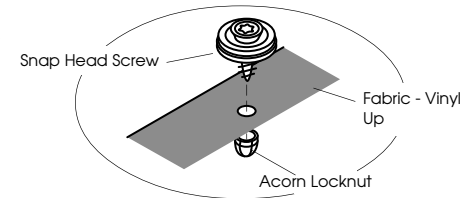
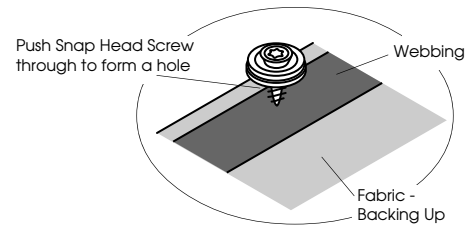
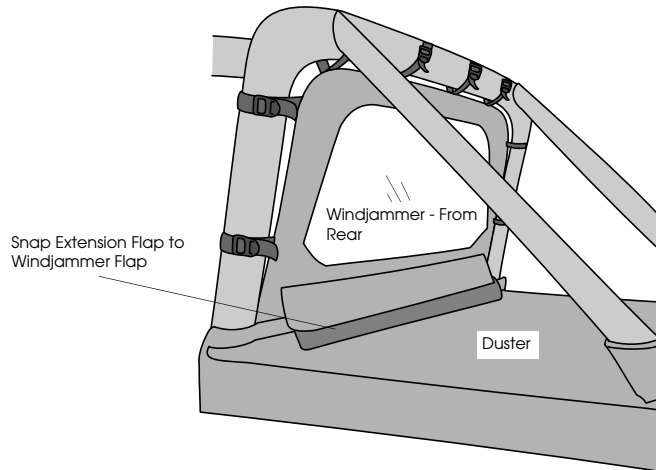
Close the rear sport bar collars by pulling firmly on the fabric and fastening the Hook and Loop Strips to each other.

If You Have a Bestop Windjammer installed on your vehicle or if you are installing a Windjammer with a Bestop Duster on a vehicle without a bow assembly.

Extension Flap	Qty - 1
Snap Head Screws	Qty - 3
Acorn Locknuts	Qty - 3

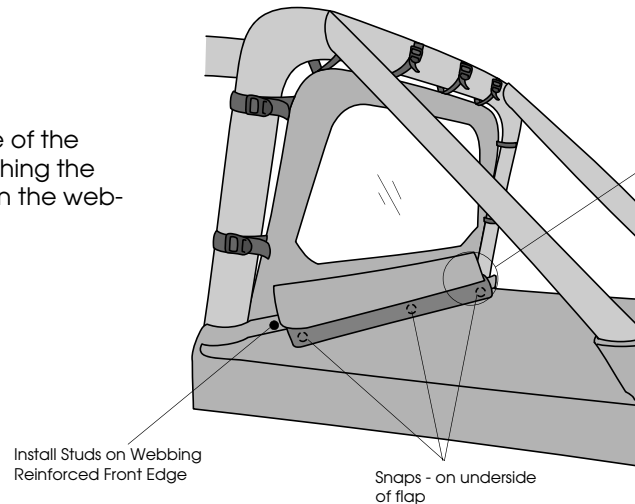
Step Ten

Locate the flap sewn to the rear of the Windjammer. Pull the flap out over the top of the front edge of the Duster. Attach the stud side of the Extension Flap to the snaps on the backing side of the Windjammer flap.



Step Eleven - Optional

Pull up on the front, reinforced edge of the Duster and mark the locations matching the three snaps on the Extension Flap, on the webbing along the top of the Duster.



Step Twelve - Optional

At the marked locations, push the sharp end of a Snap Head Screw through the Duster from the webbing side, to make a hole. Once a hole is formed, pull the screw back out of the hole. Then push the screw through the hole from the vinyl side so that the snap is on top of the vinyl. Thread an Acorn Locknut over the pointed end of the Snap Head Screw.

Care and Maintenance of your Bestop Top

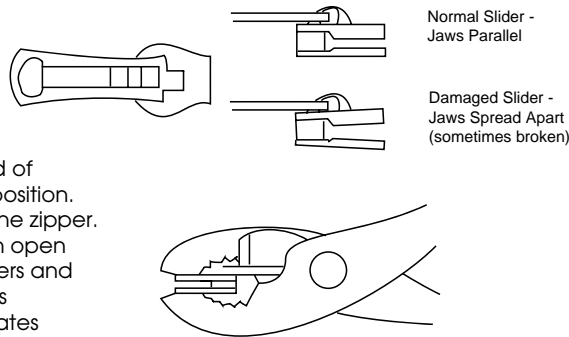
Your top is made of the finest materials available. To keep it looking new and for the maximum possible wear, it will need periodic cleaning and maintenance.

Washing: The top fabric should be washed often using soap, warm water and a soft bristle brush. Rinse with clear water to remove all traces of soap.

Windows: Keep windows clean to avoid scratching. DO NOT use a brush on the windows! Wash with a watersoaked cloth or sponge and a mild dishwashing detergent. NEVER WIPE THE WINDOWS WHEN THEY ARE DRY. Be careful when cleaning snow or frost from the vinyl windows since they are easily scratched and may crack at low temperatures. DO NOT roll the sides or rear window in cold weather. The windows become stiff and will crack.

Zippers: Keeping the zipper cleaned and lubricated with a silicone lubricant will help prevent damage and keep the zippers in a smooth working condition. If a zipper opens behind

the slider, the slider may have been spread apart. This problem can usually be repaired by using an ordinary pair of pliers to bring the sides back into parallel. Return slider to the end of the zipper in the normal Open position. Squeeze lightly at first and test the zipper. If the zipper continues to remain open squeeze more firmly with the pliers and try the zipper again. Repeat this procedure until the zipper operates correctly.



Water: Seeping through at the seams may be stopped by applying 3-M Scotchgard® on the inside of the seams. Rips in the fabric may be repaired with Bondex® iron on patches. Iron the patches to the inside of the top, carefully following the Bondex® instructions.

Snaps: Keep snaps cleaned and lubricated with silicone to help prevent snaps from sticking to the studs. If a snap does become stuck to a stud, use a screwdriver and GENTLY pry apart to prevent permanent damage to the snap or the top fabric.

LIMITED WARRANTY

We warrant our product to be free from defects in material and workmanship, for the terms specified below, provided there has been normal use and proper maintenance. This warranty applies to the original purchaser only. All remedies under this warranty are limited to the repair or replacement of any item or items found by the factory to be defective within the time period specified.

If you have a warranty claim, first you must call our factory at the number below for instructions. You must retain proof of purchase and submit a copy with any items returned for warranty work. Upon completion of warranty work, if any, we will return the repaired or replaced item or items to you freight prepaid. Damage to our products caused by accidents, fire, vandalism, negligence, misinstallation, misuse, Acts of God, or by defective parts not manufactured by us, is not covered under this warranty.

THE WARRANTY TIME PERIOD IS AS FOLLOWS: ALL "SOFT GOODS" MANUFACTURED BY OUR COMPANY (USING PRIMARILY VINYL, PLASTICS, AND/OR FOAM): ONE YEAR FROM DATE OF PURCHASE.

ANY IMPLIED WARRANTIES OF MERCHANTABILITY AND/OR FITNESS FOR A PARTICULAR PURPOSE CREATED HEREBY ARE LIMITED IN DURATION TO THE SAME DURATION AND SCOPE AS THE EXPRESS WRITTEN WARRANTY. OUR COMPANY SHALL NOT BE LIABLE FOR ANY INCIDENTAL OR CONSEQUENTIAL DAMAGE.

Some states do not allow limitations on how long an implied warranty lasts, or the exclusion or limitation of incidental or consequential damages, so the above limitations or exclusions may not apply to you.

This warranty gives you specific legal rights, and you may also have other rights which vary from state to state.

For further information or request for warranty work, please contact:

Bestop Inc.
Customer Service
(800)346-3910
(303)465-1755



90005 8