

## Exhaust System Installation For 2005-2008 Ford Mustang



Precision manufactured using aircraft quality T-304 stainless steel; this system is designed to endure years of heavy use. Installing a Borla Performance Exhaust System on your vehicle will eliminate the restrictive design of the stock exhaust, allowing your engine to discharge exhaust gas easier. The result is more horsepower and torque, longer engine life, and a distinctive throaty growl- all this, with easy bolt-on installation. These installation instructions have been written to help you in the installation of your Borla Performance Exhaust System. Please read it completely before installing your system.

**Thank you for purchasing a Borla Performance Cat-back™ Exhaust System.**

**This Borla Performance Rear Section Exhaust System (Part number 140176) has been designed for 2005-2008 Ford Mustang equipped with a 4.0L V-6 engine and automatic or manual transmissions.**

Borla Performance Industries recommends that an exhaust shop or professional after market parts installer, who has all the necessary equipment, tools and experienced personnel needed for proper installation, should perform the installation of this system. However, if you decide to perform the installation, we recommend someone should help you. Ensure the installer uses all under car safety precautions including eye protection.

*Please take time to read and understand the following...*

By installing your Borla Performance Exhaust System, you indicate that you have read this document and you agree with the terms stated below.

It is the responsibility of the purchaser to follow all installation instruction guidelines and safety procedures supplied with your Borla Performance Exhaust System

Borla Performance Industries assumes no responsibility for damages occurring from misuse, abuse, improper installation, improper operation, lack of responsible care, or all previously stated reasons resulting from incompatibility with other manufacturer's products and/or systems.

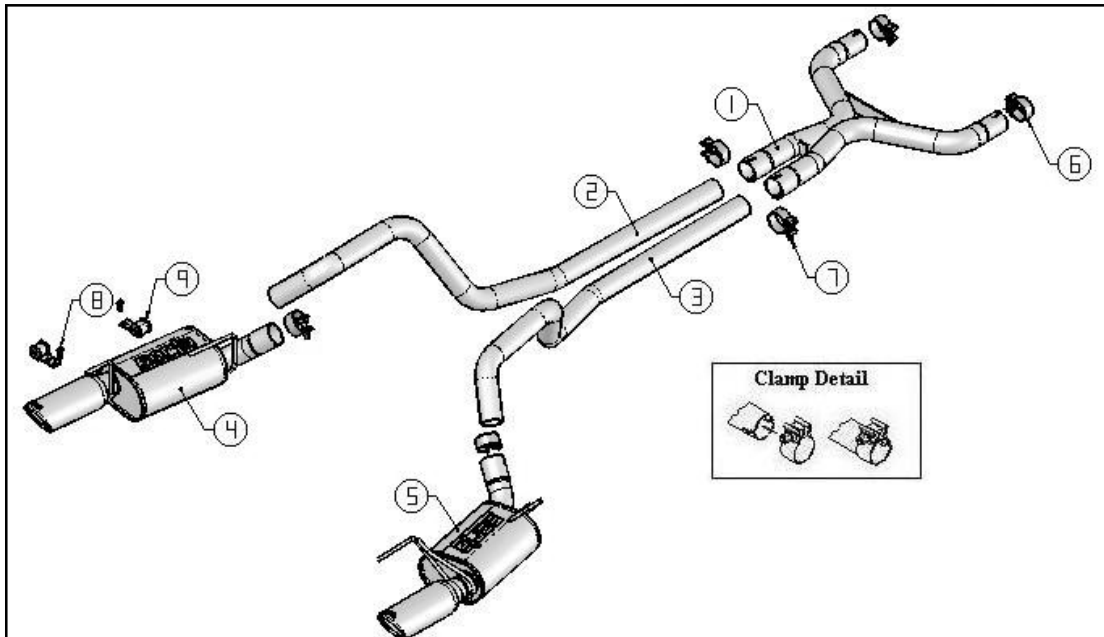
Included with your Borla Performance Exhaust System is a warranty card. Please read it carefully before you begin any work on your vehicle. If you should have any questions regarding our warranty policy, installation, or any other matter pertaining to your new Borla Performance Exhaust System, please give us a call at the number provided on the warranty card.

**Minimum Required Tool List:****TOOLS:**

1. 3/8" Drive Ratchet
2. 3/8" Drive Extension 3"
3. 15mm Socket
4. Pry Bar
5. Reciprocating saw or chain style pipe cutter
6. Tape measure
7. Rotary cutting tool
8. Drum sander

**SHOP SUPPLIES:**

- 1 Spray Lubricant

**Borla Performance Cat-back™ Bill of Materials**

1. X pipe assembly
2. Left over axle pipe
3. Right over axle pipe
4. Left muffler assembly
5. Right muffler assembly
6. 2.25" clamp (qty 2)
7. 2.50" clamp (qty 4)
8. Hex head screw (qty 2)
9. Isolator bracket (qty 2)

**Caution!!! Never work on a hot exhaust system. Serious injury in the form of burns can result** If the vehicle has been in use and the exhaust system is hot, allow vehicle to cool for at least 1 hour. Always wear eye protection when working under any vehicle.

*Note: It is our recommendation that you use a hoist or hydraulic lift to facilitate the installation of your new Borla Performance Cat-back™ Exhaust System.*

Taking all under car safety precautions, lift the vehicle using a hoist or hydraulic lift. Once this has been done, you may begin the removal of your old exhaust system from your vehicle.

**Note: Before removing the original exhaust system from your vehicle, please compare the parts you have received with the bill of materials provided on the previous page to assure that you have all the parts necessary for the installation of your new Borla Performance Cat-back™ Exhaust System**

## Original Exhaust System Removal

*Note: With a used vehicle, we suggest a penetrating spray lubricant to be applied liberally to all exhaust fasteners and allowing a significant period of time for the chemical to lubricate the threads before attempting to disassemble.*

1. Loosen the clamp shown in figure 1 located just behind the y pipe assembly.
2. Loosen the clamp shown in figure 2 located just in front of the muffler assembly.
3. Using a flat blade screwdriver, pull the locking clip to disengage it from the pipe. Remove the over axle pipe by first removing the front of the pipe from the y-pipe as shown in figure 3 then remove it from the muffler assembly.
4. Remove the hangers from the rubber isolators and remove the muffler from the vehicle as shown in figure 4.
5. On the factory y-pipe assembly, measure 3 inches behind the hanger bracket on both left and right pipe and mark as shown in figure 5.
6. Using a reciprocating saw or a chain style pipe cutter, cut the pipes as shown in figure 6 and remove the factory y-pipe assembly shown in figure 7.

**Warning: Use extreme caution during installation. Torque all fasteners according to manufacturer's torque values and tightening sequence. DO NOT use air impact tools to tighten fasteners on Borla Performance Exhaust Systems. Use of such tools may result in bent flanges or gasket contact areas leading to exhaust leaks.**

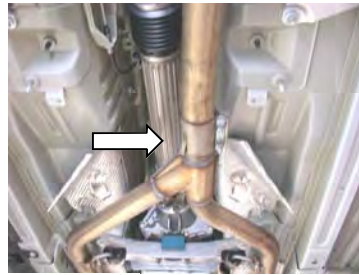


Figure 1

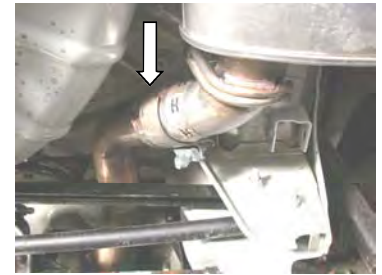


Figure 2



Figure 3



Figure 4



Figure 5

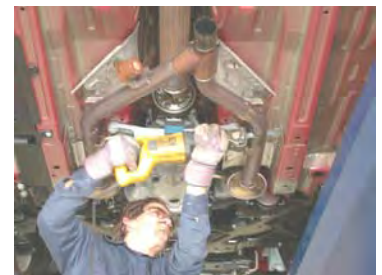


Figure 6



Figure 7

## Borla Performance Cat-Back™ Exhaust System Installation

1. Place a clamp over the reduced ends of the X-pipe assembly and set it up into position as shown in figure 8. Do Not tighten the clamps.
2. Place a clamp over the expanded ends at the rear of the X-pipe assembly and install both left and right over axle pipes. Do Not tighten the clamps.
3. Measure the center of the right exhaust cut out from a reference point of your choosing. Use this measurement to mark the center of the left exhaust cutout.
4. Place the template supplied with your system onto the rear bumper aligning the center with your mark. Trace the cut out onto the bumper using a pencil or something similar.

**Note: Double check the position of the cutout before making any cuts.**

5. Once the position of the cut out has been determined to be correct. Cut the bumper approximately 1/4" under the tracing using a rotary cutting tool or something similar.
6. Using a drum sander smooth and shape the cut.
7. Using the hardware supplied install the brackets on the left (driver) side of the vehicle into the existing threaded holes as shown in figure 11.
8. Place a clamp over the expanded end of the left (driver) side muffler assembly and set it into position as shown in figure 12. Do Not tighten the clamp.
9. Repeat step 8 for the installation of the right (passenger) muffler assembly. Do Not tighten the clamp.
10. Check your exhaust system for proper clearance under the vehicle and also for tip alignment.
11. Once position has been determined to be correct, tighten the Accuseal™ clamps to 32-35 ft. lbs.
12. Before starting your vehicle, make sure to check all wires, hoses, brake lines, body parts and tires for safe clearance from the exhaust system.
13. Start vehicle and check for any leaks. If any leaks are found, determine cause (such as loose or incorrectly positioned clamp) and repair as necessary.

*Note: When you first start your vehicle after the installation of your new Borla Performance Exhaust System, there may be some smoke and fumes coming from the system. This is a protective oil based coating used in the manufacturing of mandrel bent performance exhaust tubing. This is not a problem and will disappear within a very short period of time after the exhaust has reached normal operating temperatures.*



Figure 8



Figure 9



Figure 10

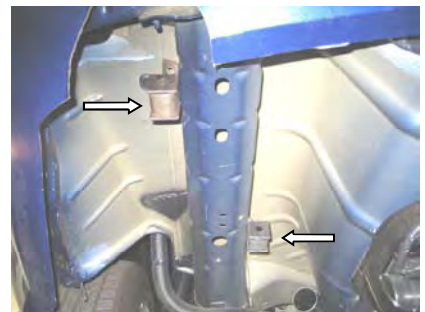


Figure 11



Figure 12