

Installation for Cadillac CTS-V Coupe & Sedan PN-140433



These instructions have been written to help you with the installation of your Borla Performance Exhaust System. Please read this document completely before beginning the installation of your system.

Please compare the parts in the box with the bill of materials provided to assure that you have all the parts necessary for this installation.

To ensure this part number fits your specific model year, please visit our website for the latest model year listings at www.BORLA.com.

Thank you for purchasing a Borla Performance System component.

This Borla Performance Cat-back (PN-140433) is designed for the Cadillac CTS-V Coupe equipped with a 6.2L engine, rear-wheel drive with automatic or manual transmissions.

Borla Performance Industries recommends that an exhaust shop or professional after market parts installer perform the installation of this system. However, if you decide to perform the installation on your own it is recommended that two people are used. This installation should not be performed by one person due to the risk of injury. Ensure the installers use all under car safety precautions including eye protection.

Please take time to read and understand the following...

By installing your Borla Performance Exhaust System, you indicate that you have read this document and you agree with the terms stated below.

It is the responsibility of the purchaser to follow all installation instruction guidelines and safety procedures supplied with your Borla Performance Exhaust System

Borla Performance Industries assumes no responsibility for damages occurring from misuse, abuse, improper installation, improper operation, lack of responsible care, or all previously stated reasons resulting from incompatibility with other manufacturer's products and/or systems.

Included with your Borla Performance Exhaust System is a warranty card. Please read it carefully before you begin any work on your vehicle. If you should have any questions regarding our warranty policy, installation, or any other matter pertaining to your new Borla Performance Exhaust System, please give us a call at the number provided on the warranty card.

Minimum Required Tool List:

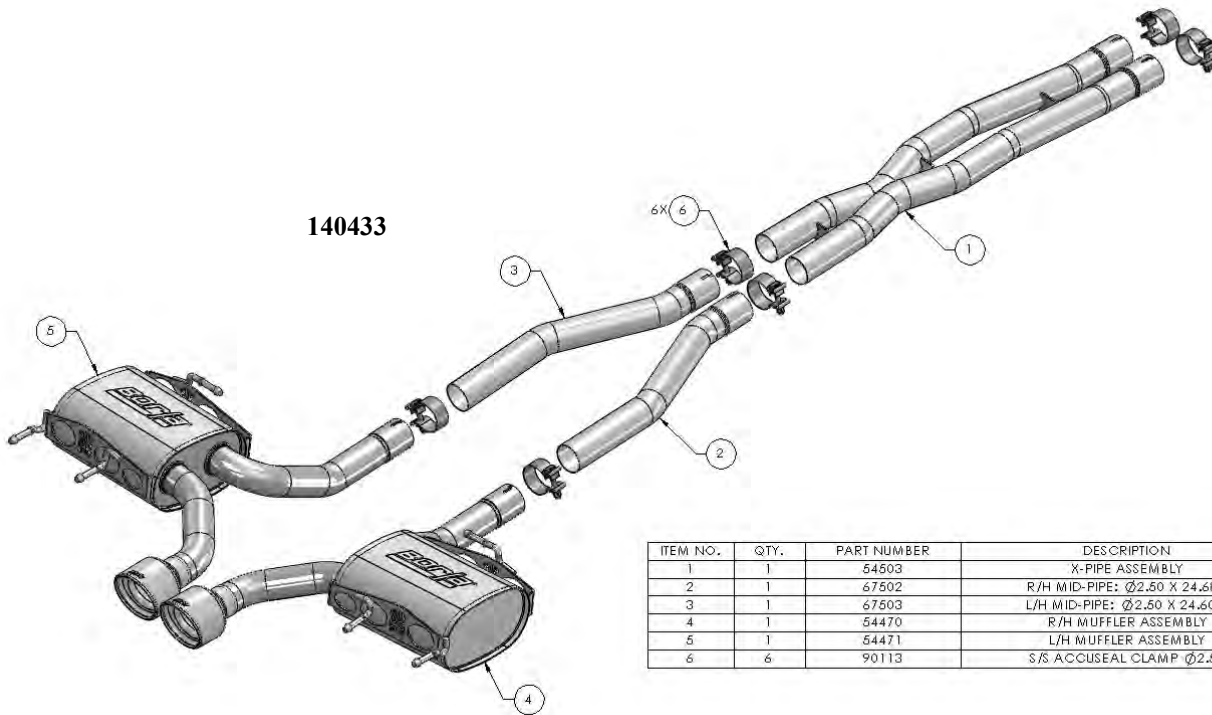
TOOLS:

- 1 3/8" Drive Ratchet
- 2 3/8" Drive Extension 3"
- 3 15mm Deep Well Socket
- 4 Pry Bar
- 5 Metal-cutting blade saw

SHOP SUPPLIES:

- 1 Spray Lubricant

Borla Performance Bill of Materials



ITEM NO.	QTY.	PART NUMBER	DESCRIPTION
1	1	54503	X-PIPE ASSEMBLY
2	1	67502	R/H MID-PIPE: Ø2.60 X 24.60in
3	1	67503	L/H MID-PIPE: Ø2.60 X 24.60in
4	1	54470	R/H MUFFLER ASSEMBLY
5	1	54471	L/H MUFFLER ASSEMBLY
6	6	90113	S/S ACCUSEAL CLAMP Ø2.60

Caution!!! Never work on a hot exhaust system. Serious injury in the form of burns can result If the vehicle has been in use and the exhaust system is hot, allow vehicle to cool for at least 1 hour. Always wear eye protection when working under any vehicle.

Note: It is our recommendation that you use a hoist or hydraulic lift to facilitate the installation of your new Borla Performance Cat-Back™ Exhaust System.

Taking all under car safety precautions, lift the vehicle using a hoist or hydraulic lift. Once this has been done, you may begin the removal of your old exhaust system from your vehicle.

Note: Before removing the original exhaust system from your vehicle, please compare the parts you have received with the bill of materials provided on the previous page to assure that you have all the parts necessary for the installation of your new Borla Performance Cat-Back™ Exhaust System.

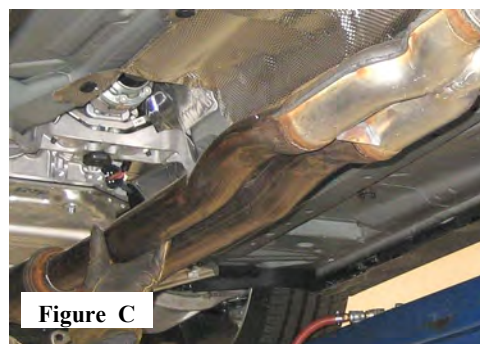
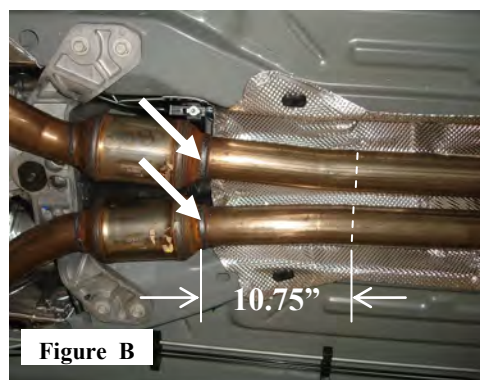
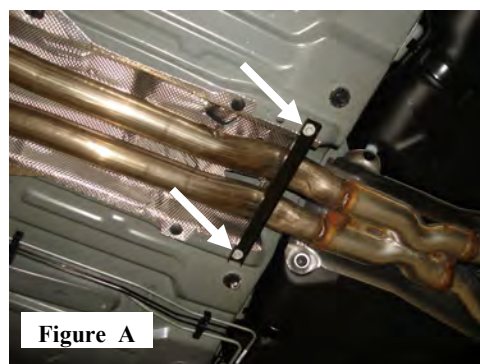
Original System Removal & Front-Pipe

Note: With a used vehicle, we suggest a penetrating spray lubricant to be applied liberally to all exhaust fasteners and allowing a significant period of time for the chemical to lubricate the threads before attempting to disassemble.

1. Remove (2) bolts and crossbar. Place this hardware aside for installation later. (See Fig. A)
2. Measure and mark a cutline 10.75" behind catalytic converters on left and right-side pipes (See Fig. B). Both pipes will be cut at these marks in step 4.
3. Unbolt (4) front flange bolts and put aside for installation later. Support the exhaust system using muffler stands. Carefully remove muffler hangers from rubber isolators and remove OE exhaust system. (See Fig. C)
4. Secure the exhaust pipes for cutting. Using a metal-cutting blade, cut both pipes as marked in step 2.
5. Keep front left and right sections of pipe. De-burr the ends of newly cut pipe.

Note: Rear OE exhaust section is not designed to work with this Borla Mid-Pipe.

Warning: Use extreme caution during installation. Torque all fasteners according to manufacturer's torque values and tightening sequence. DO NOT use air impact tools to tighten fasteners on Borla Performance Exhaust Systems. Use of such tools may result in bent flanges or gasket contact areas leading to exhaust leaks.



Borla Performance System Installation

1. Reinstall (cut) Left and Right front pipes using original hardware. Hand-tighten flange hardware.
2. Place X-Pipe Assembly on a flat surface. Referring to assembly drawing on page 2, arrange components adjacent to X-Pipe on flat surface.
3. Place a clamp on L/H Front Pipe and insert end into X-Pipe. Lightly tighten clamp using 15mm socket.
4. Repeat above step for R/H Front Pipe.
5. Place a clamp on the L/H and R/H Front Pipes. Using a muffler stand to support X-pipe end, carry entire Mid-Pipe Assembly to vehicle and insert both L/H and R/H Front Pipe ends into de-burred cut pipe on vehicle. (See Fig. D)
6. Refer to page 4 of PN-11805 installation instructions for connection to Rear Section exhaust system. (See Fig. E)
7. Reinstall cross-brace using original hardware.
8. Check your exhaust system for proper clearance under the vehicle and also for tip alignment. Once tip position has been determined to be correct, position clamps making sure the bolt is positioned between the pipe notches. (See Fig. G)
9. Tighten clamp bolts to 35 lb.ft. torque.
10. Before starting your vehicle, make sure to check all wires, hoses, brake lines, body parts and tires for safe clearance from the exhaust system.
11. Start vehicle and check for any leaks. If any leaks are found, determine cause (such as loose hardware or incorrectly positioned clamp) and repair as necessary.

Note: When you first start your vehicle after the installation of your new Borla Performance Exhaust System, there may be some smoke and fumes coming from the system. This is a protective oil based coating used in the manufacturing of mandrel bent performance exhaust tubing. This is not a problem and will disappear within a very short period of time after the exhaust has reached normal operating temperatures.

