

Exhaust System Installation for Chevy Sonic PN-140477, 140486, 140487, 140490, 140491



These instructions have been written to help you with the installation of your Borla Performance Exhaust System. Please read this document completely before beginning the installation of your system.

Please compare the parts in the box with the bill of materials provided to assure that you have all the parts necessary for this installation.

To ensure this part number fits your specific model year, please visit our website for the latest model year listings at www.BORLA.com.

Thank you for purchasing a Borla Performance Cat-Back™ Exhaust System.

Borla Performance Cat-Back™ Exhaust System (PN-140477, 140491) is designed for the Chevrolet Sonic, 1.8L engine, FWD drive and automatic or manual transmissions.

Borla Performance Cat-Back™ Exhaust System (PN-140486, 140487, 140490) is designed for the Chevrolet Sonic, 1.4L Turbo engine, FWD drive and automatic or manual transmissions.

Borla Performance Industries recommends that an exhaust shop or professional after market parts installer perform the installation of this system. However, if you decide to perform the installation on your own it is recommended that two people are used. This installation should not be performed by one person due to the risk of injury. Ensure the installers use all under car safety precautions including eye protection.

Please take time to read and understand the following...

By installing your Borla Performance Exhaust System, you indicate that you have read this document and you agree with the terms stated below.

It is the responsibility of the purchaser to follow all installation instruction guidelines and safety procedures supplied with your Borla Performance Exhaust System

Borla Performance Industries assumes no responsibility for damages occurring from misuse, abuse, improper installation, improper operation, lack of responsible care, or all previously stated reasons resulting from incompatibility with other manufacturer's products and/or systems.

Minimum Required Tool List:

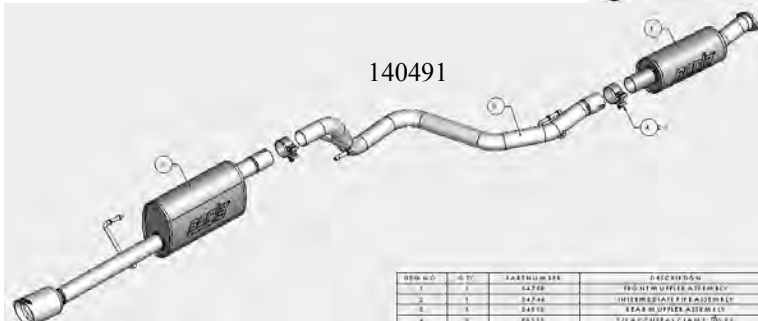
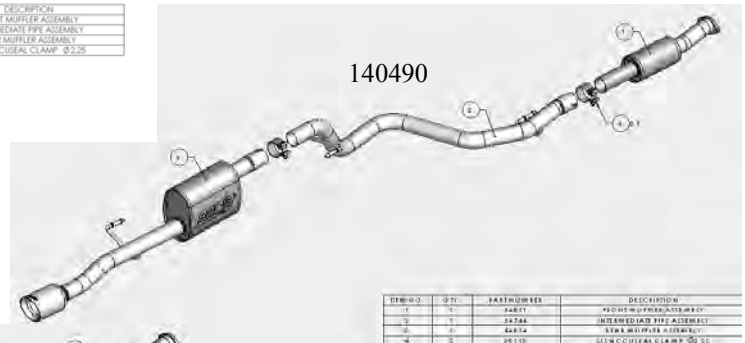
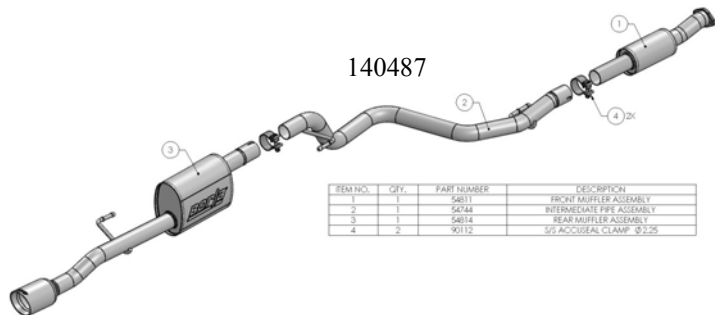
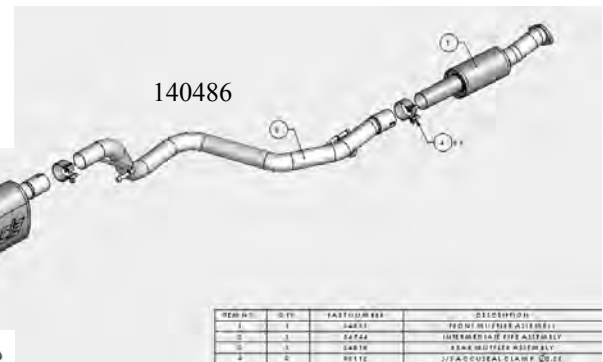
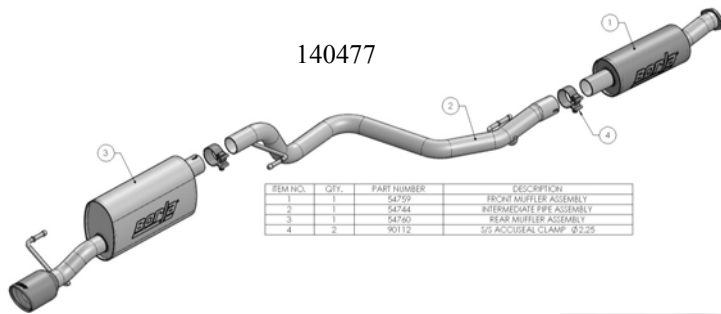
TOOLS:

- 1 3/8" Drive Ratchet
- 2 3/8" Drive Extension 3"
- 3 3/4", 13mm, & 15mm Sockets
- 4 Pry Bar

SHOP SUPPLIES:

- Spray Lubricant

Borla Performance Cat-Back™ Bill of Materials



Caution!!! *Never work on a hot exhaust system. Serious injury in the form of burns can result* If the vehicle has been in use and the exhaust system is hot, allow vehicle to cool for at least 1 hour. Always wear eye protection when working under any vehicle.

Note: It is our recommendation that you use a hoist or hydraulic lift to facilitate the installation of your new Borla Performance Exhaust System.

Taking all under car safety precautions, lift the vehicle using a hoist or hydraulic lift. Once this has been done, you may begin the removal of your old exhaust system from your vehicle.

Note: Before removing the original exhaust system from your vehicle, please compare the parts you have received with the bill of materials provided on the previous page to assure that you have all the parts necessary for the installation of your new Borla Performance Exhaust System.

Original Exhaust System Removal

Note: With a used vehicle, we suggest a penetrating spray lubricant to be applied liberally to all exhaust fasteners and allowing a significant period of time for the chemical to lubricate the threads before attempting to disassemble.

1. Loosen hardware on front flange-pipe keeping hardware for re-installation later. Slide hangers from rubber isolators and slide flange pipe rearwards and out beneath vehicle. (See Figs. 2 & 3)
2. On rear muffler, carefully remove hangers from rubber isolators and remove from vehicle. (See Fig. 4)
3. Carefully remove the stock exhaust system from the vehicle.

Warning: Use extreme caution during installation. Torque all fasteners according to manufacturer's torque values and tightening sequence. DO NOT use air impact tools to tighten fasteners on Borla Performance Exhaust Systems. Use of such tools may result in bent flanges or gasket contact areas leading to exhaust leaks.



Figure 1

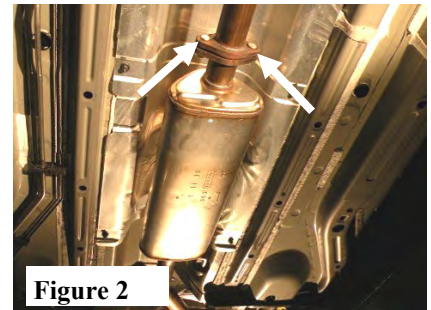


Figure 2

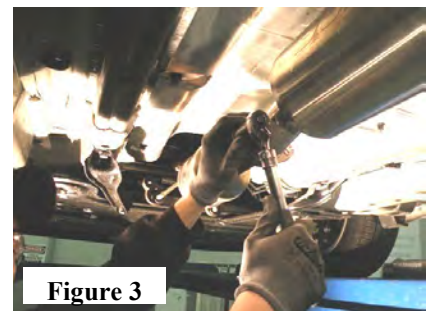


Figure 3

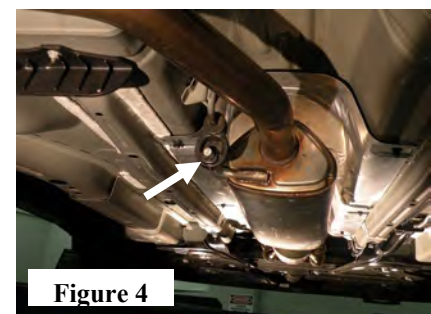


Figure 4

Borla Performance Exhaust System Installation

1. Using factory hardware and gaskets, attach Front Muffler Assembly to flange. (See Fig. 5)
2. Place clamp over expanded end of Intermediate Pipe Assembly and insert into Front Muffler Assembly. Insert hangars into rubber isolators. (See Fig. 6)
3. Place clamp over expanded end of Rear Muffler Assembly and insert into Intermediate Muffler Assembly. Insert hangars into rubber isolators. (See Fig. 7)
4. Check your exhaust system for proper clearance under the vehicle and also for tip alignment. (See Fig. 8)
5. Once position has been determined to be correct, tighten the Accuseal clamps to 32-35 ft. lbs. **IMPORTANT: Make sure the clamp bolt is positioned between the pipe notches NOT over the pipe notches.**
6. Before starting your vehicle, make sure to check all wires, hoses, brake lines, body parts and tires for safe clearance from the exhaust system.
7. Start vehicle and check for any leaks. If any leaks are found, determine cause (such as loose or incorrectly positioned clamp) and repair as necessary.

Note: When you first start your vehicle after the installation of your new Borla Performance Exhaust System, there may be some smoke and fumes coming from the system. This is a protective oil based coating used in the manufacturing of mandrel bent performance exhaust tubing. This is not a problem and will disappear within a very short period of time after the exhaust has reached normal operating temperatures.



Figure 5

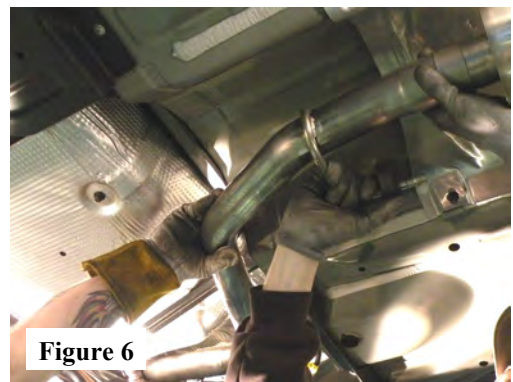


Figure 6



Figure 7

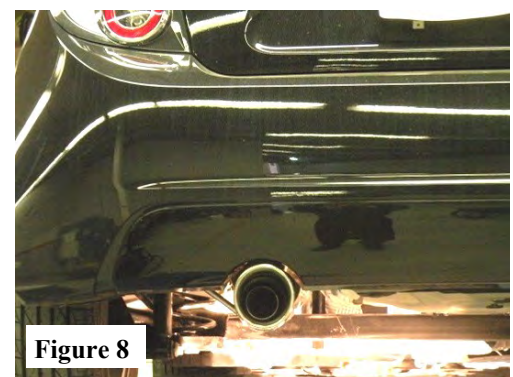


Figure 8