

2001-2006 BMW M3 X-Pipe Installation



Precision manufactured using aircraft quality T-304 stainless steel; this system is designed to endure years of heavy use. Installing a Borla Performance Exhaust System on your vehicle will eliminate the restrictive design of the stock exhaust, allowing your engine to discharge exhaust gas easier. The result is more horsepower and torque, longer engine life, and a distinctive throaty growl- all this, with easy bolt-on installation. These installation instructions have been written to help you in the installation of your Borla Performance Exhaust System. Please read it completely before installing your system.

Thank you for purchasing a Borla Performance X-Pipe.

This Borla Performance X-Pipe (Part number 60090) has been designed for the 2001-2006 BMW M3 equipped with a 3.2L inline 6-cylinder engine and automatic or manual transmissions.

Borla Performance Industries recommends that an exhaust shop or professional after market parts installer, who has all the necessary equipment, tools and experienced personnel needed for proper installation, should perform the installation of this system. However, if you decide to perform the installation, we recommend someone should help you. Ensure the installer uses all under car safety precautions including eye protection.

Please take time to read and understand the following...

By installing your Borla Performance X-Pipe, you indicate that you have read this document and you agree with the terms stated below.

It is the responsibility of the purchaser to follow all installation instruction guidelines and safety procedures supplied with your Borla Performance X-Pipe

Borla Performance Industries assumes no responsibility for damages occurring from misuse, abuse, improper installation, improper operation, lack of responsible care, or all previously stated reasons resulting from incompatibility with other manufacturer's products and/or systems.

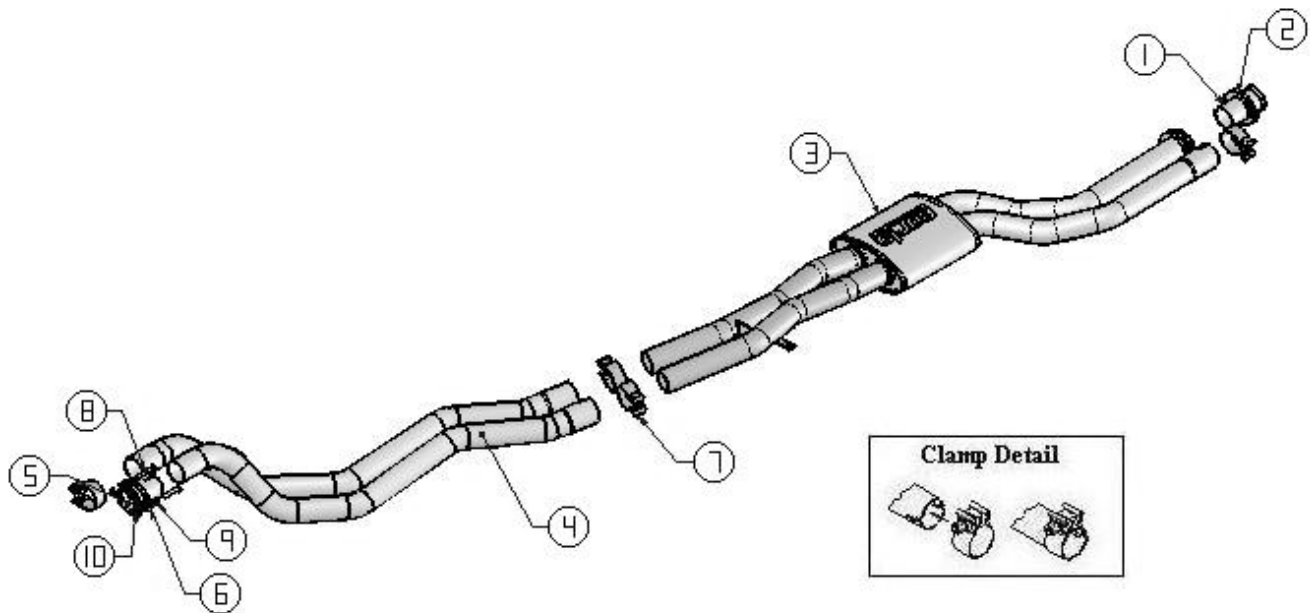
Included with your Borla Performance X-Pipe is a warranty card. Please read it carefully before you begin any work on your vehicle. If you should have any questions regarding our warranty policy, installation, or any other matter pertaining to your new Borla Performance X-Pipe, please give us a call at the number provided on the warranty card.

Minimum Required Tool List:**TOOLS:**

- 1 3/8" Drive Ratchet
- 2 3/8" Drive Extension 3"
- 3 13mm Socket
- 4 15mm Socket
- 5 Pry Bar

SHOP SUPPLIES:

- 1 Spray Lubricant

Borla Performance X-Pipe Bill of Materials

1. Flared pipe
2. 2-bolt flange
3. X-Pipe assembly
4. Tail pipe assembly
5. Pipe/Ring assembly
6. 2-bolt flange
7. 2.25" clamp (qty 4)
8. Bolt, M8 x 40mm (qty 2)
9. Flat washer, 8mm (qty 2)
10. Lock nut (qty 4)

Caution!!! Never work on a hot exhaust system. Serious injury in the form of burns can result If the vehicle has been in use and the exhaust system is hot, allow vehicle to cool for at least 1 hour. Always wear eye protection when working under any vehicle.

Note: It is our recommendation that you use a hoist or hydraulic lift to facilitate the installation of your new Borla Performance X-Pipe.

Taking all under car safety precautions, lift the vehicle using a hoist or hydraulic lift. Once this has been done, you may begin the removal of your old exhaust system from your vehicle.

Note: Before removing the original exhaust system from your vehicle, please compare the parts you have received with the bill of materials provided on the previous page to assure that you have all the parts necessary for the installation of your new Borla Performance X-Pipe.

Original H-Pipe Removal

Note: With a used vehicle, we suggest a penetrating spray lubricant to be applied liberally to all exhaust fasteners and allowing a significant period of time for the chemical to lubricate the threads before attempting to disassemble.

1. Unbolt and remove the center support bar shown in figure 1 from the vehicle. Place the hardware to the side.
2. Unbolt the two support brackets shown in figure 2 leaving the rear most bracket attached to the exhaust. Place the hardware to the side.
3. Unbolt the two flanges shown in figure 3 located on the driver side of vehicle just before the rear muffler assembly.
4. Using a muffler stand or an additional person to hold the exhaust system up in place, unbolt the rubber hangers from the vehicle. There are two on the driver side of vehicle and one on the passenger side. Carefully remove the rear muffler assembly from the vehicle.
5. Using a muffler stand or an additional person to hold the h-pipe up into position, unbolt the two flanges shown in figure 4 located behind the catalytic converters and carefully remove the h-pipe assembly from the vehicle as shown in figure 5. Place the hardware to the side.
6. Remove the rear most support bracket from the original h-pipe assembly and using the original hardware and rubber isolators, install it on your new tail pipe assembly as shown in figure 6.

Attention: If you are using a factory rear muffler, remove the ring gasket and flange from the left pipe at the rear of the factory h-pipe assembly and install it at the rear on the left pipe of the Borla Performance tail pipe assembly.

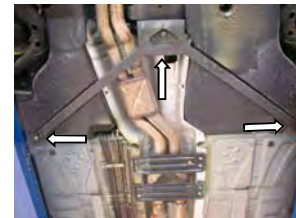


Figure 1



Figure 2



Figure 3



Figure 4



Figure 5

Warning: Use extreme caution during installation. Torque all fasteners according to manufacturer's torque values and tightening sequence. DO NOT use air impact tools to tighten fasteners on Borla Performance Exhaust Systems. Use of such tools may result in bent flanges or gasket contact areas leading to exhaust leaks.

Borla Performance X-Pipe Installation

1. Place a clamp over the expanded end at the front of the X-pipe assembly and place the flared inlet pipe/flange assembly into the X-pipe assembly as shown in figure 7. Do Not tighten the clamp.
2. Place the X-pipe assembly into position as shown in figure 8. Using the original hardware, secure the flanges hand tight.
3. Place a clamp on each expanded end of the tail pipe assembly and set it into position as shown in figure 9. Do Not tighten the clamps.
4. Using the original hardware, secure both support brackets to the vehicle as also shown in figure 9.
5. Place a clamp over the expanded end of the pipe ring assembly and install it over the right pipe at the rear of the tail pipe assembly.
6. Using the hardware provided, reinstall your muffler assembly opposite of removal or if you are installing a Borla Performance Exhaust, please refer to the instructions provided with the system.
6. Check your X-Pipe and muffler assembly for proper clearance under the vehicle.
7. Once position has been determined to be correct, tighten the Accuseal clamps to 32-35 ft. lbs. making sure that the clamp opening is not over any of the notches in the pipes. Tighten the flanges to 28-32 ft. lbs.
8. Reinstall the center support bar using the original hardware.
9. Before starting your vehicle, make sure to check all wires, hoses, brake lines, body parts and tires for safe clearance from the X-Pipe.

Note: When you first start your vehicle after the installation of your new Borla Performance X-Pipe, there may be some smoke and fumes coming from exhaust. This is a protective oil based coating used in the manufacturing of mandrel bent performance exhaust tubing. This is not a problem and will disappear within a very short period of time after the exhaust has reached normal operating temperatures.



Figure 6



Figure 7



Figure 8



Figure 9