



INSTALLATION INSTRUCTIONS FOR Ford Super Duty 20909 (Set) 20039 Front, 20040 Rear

TOOLS REQUIRED FOR INSTALLATION:

- Jack and Jack Stands (Optional)
- #2 Phillips Driver Bit
- 7/32 socket
- Socket wrench
- Safety Glasses

IMPORTANT: READ BEFORE BEGINNING INSTALLATION

Verifying Fit - Flares should be held to the vehicle surface to verify correct type and fit BEFORE beginning installation or painting. The inner flare edge should be in contact with the wheel well rim, and the outer flare edge should conform to vehicle fender contours. Small fit adjustments can be made by trimming (filing, sanding or scraping) excess plastic. There may be factors beyond Bushwacker's control which will complicate installation, such as damage related to collisions, or other accessories such as running boards, etc.

Performance - Using larger tires may increase the area required to turn the vehicle. Some Tire/Rim combinations may require lowering bump stops and/or installing steering stops to prevent tire shoulders from contacting flare.

Exhaust System - Modifications may be necessary to maintain a minimum 4" clearance between flares and exhaust pipes. Exhaust gases should not vent directly onto flares.

DO NOT USE: Loctite, SuperGlue, or similar products on the hardware or the flares.

FLARE INSTALLATION PROCEDURES

Step 1: Painting

It is recommended that painting (when desired) be done prior to installation.

- Sand (optional) before application of paint.
- Clean outer surface with a good grade degreaser. DO NOT USE LACQUER THINNER OR ENAMEL REDUCER AS A DEGREASER. Wipe outer surface thoroughly with a tack rag prior to painting.
- Paint flares using a high quality lacquer, enamel, or polyurethane automotive paint. Application of a primer coat is optional.
- If painting edge trim (not recommended), use a flex additive.

Step 2: Edge Trim Installation (See Illustration #1)

- Peel two to three inches of red vinyl backing away from edge trim tape. Applying the adhesive side of the edge trim to the inner side of the flare, affix the edge trim to the top edge of the flare (the portion that comes in contact with the side of the vehicle).
- Press edge trim into place along the top edge of the flare in one-foot increments, pulling red vinyl backing

free as you continue to work your way around the top edge of the flare.

Step 4: Flare installation Fronts (See Illustration #2)

- Remove the 3 factory hex screws from wheel well using the 7/32 socket.
- Hold flare in place on fender.
- Applying moderate pressure to outside surface of flare, fasten using the factory hex screws removed earlier.

Step 3: Flare installation Rear (See Illustration #3)

- Hold flare in position with moderate pressure. Using the holes in the flares as a guide, mark wheel well lip where each hole is.
- Remove flare and stick a black mylar tab over each marked location. Slide supplied clips over each tab location. (See illustration #4).
- Hold flare in position and line up the holes in flare to the threaded holes in clips. Starting with the two corner holes, start the supplied screws but keep loose.

(D) Insuring the flare is properly located on fender, install remaining screws and applying moderate pressure to outside surface of flare, tighten screws, beginning with

the two corner locations and then the two bottom screws. Tighten the top center screw last.

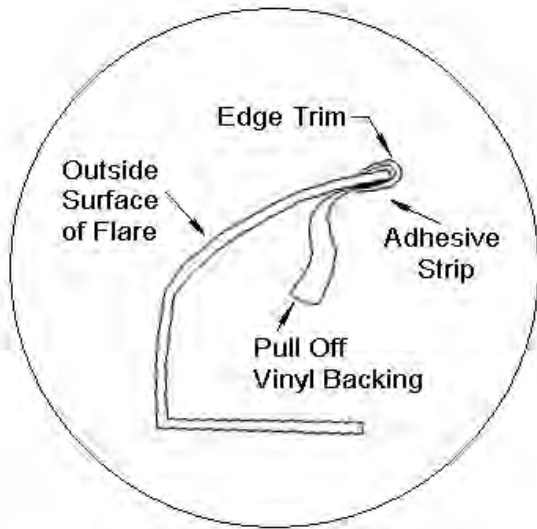


ILLUSTRATION #1

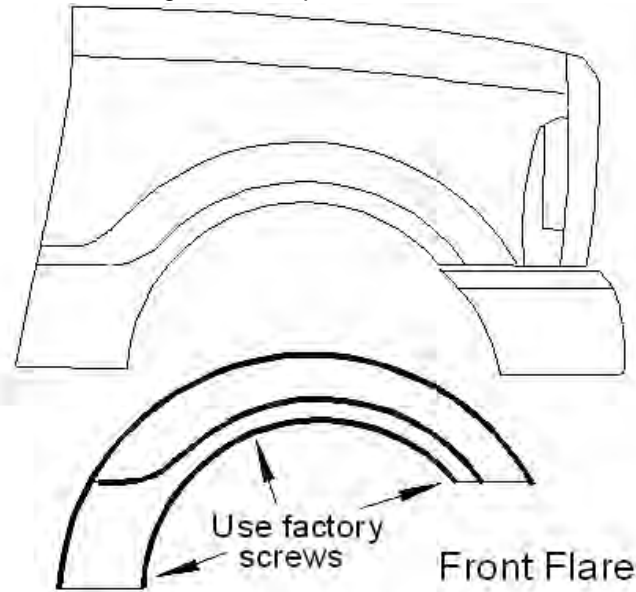


ILLUSTRATION #2

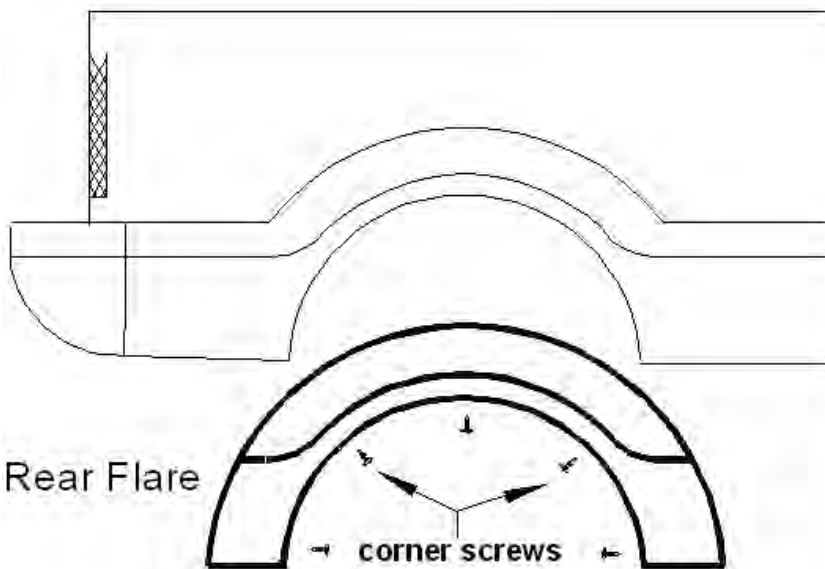


ILLUSTRATION #3

