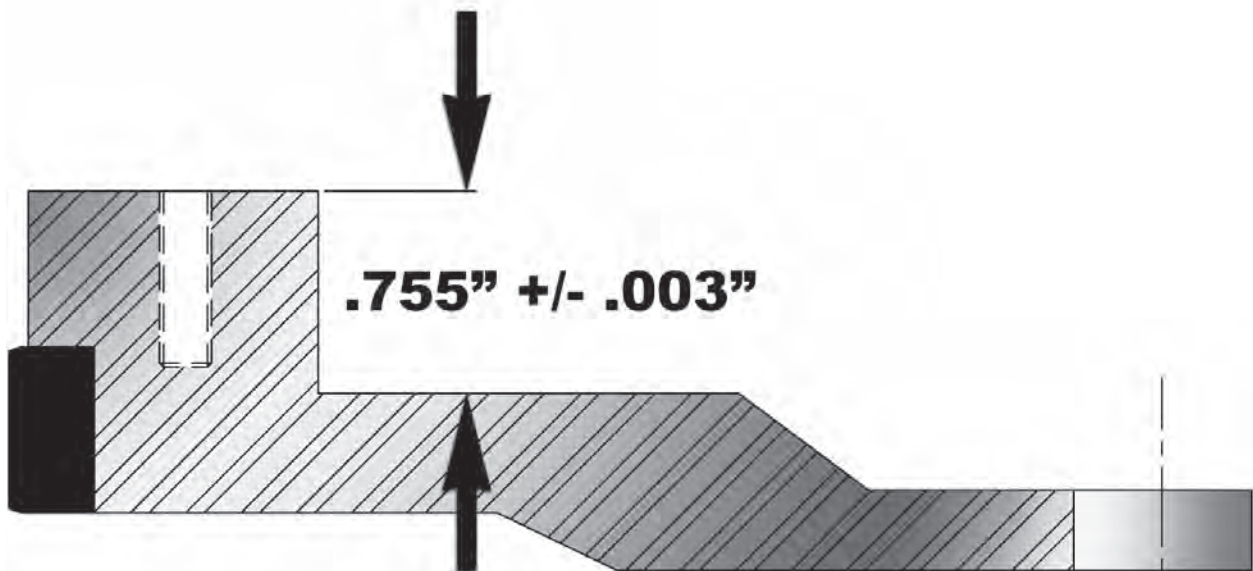


IMPORTANT

FLYWHEEL STEP SPECIFICATIONS

PART NUMBERS CF331516 AND DF161533



It is important to maintain the proper flywheel step specification. Failure to maintain the proper step specification may result in poor clutch performance, slippage, and/or improper release.



"NOTE" Centerforce tip sheets are for general reference only. Please refer to your owners manual for vehicle specifications.

IMPORTANT