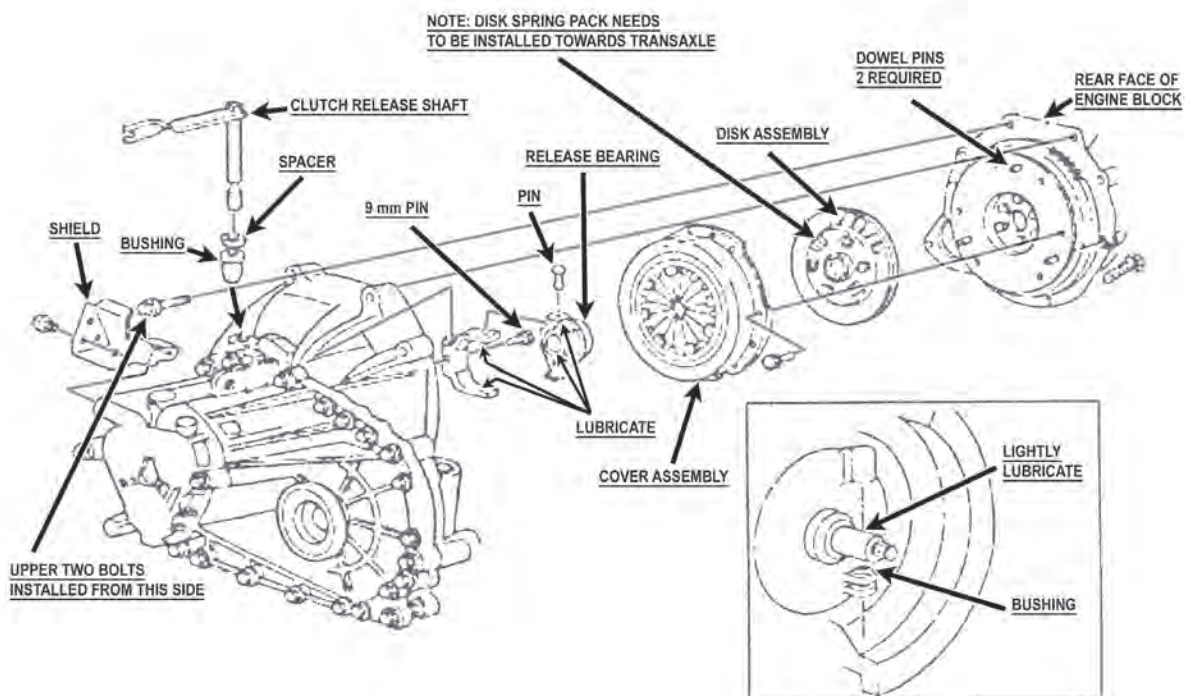


# IMPORTANT

## FORD TAURUS SHO 1989-1995

After the clutch assembly has been installed, it is necessary to reset the clutch adjustment quadrant. This can be accomplished by simply pulling up on the clutch pedal, this will allow the quadrant pawl to release and will reset the adjustment. This procedure should be repeated after the break in is completed, and every 5,000 miles thereafter, or as required to get the best clutch performance and maximum longevity of the clutch.



"NOTE" Centerforce tip sheets are for general reference only. Please refer to your owners manual for vehicle specifications.

# IMPORTANT