



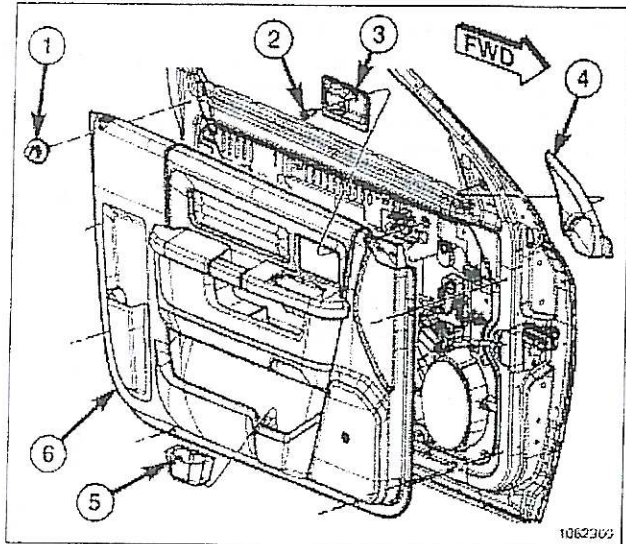
TRAILER TOW MIRRORS

RAM (DS), DAKOTA (ND) and DURANGO (HB)

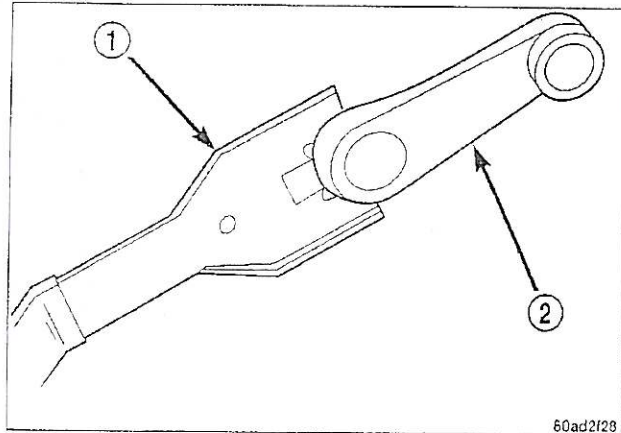
PROCEDURE STEPS:

NOTE: The following procedure applies to the driver and passenger doors.

1. Remove the screw (2) that secures the interior door handle trim (3) to the interior door panel (6).
2. Remove the interior door handle trim (3) from the interior door panel (6).



3. If equipped, remove the manual window crank (1) using a window crank removal tool (2).



K6860243



TRAILER TOW MIRRORS

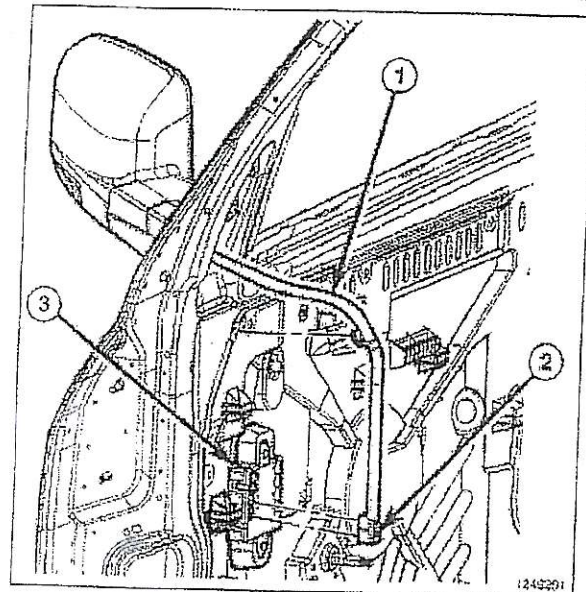
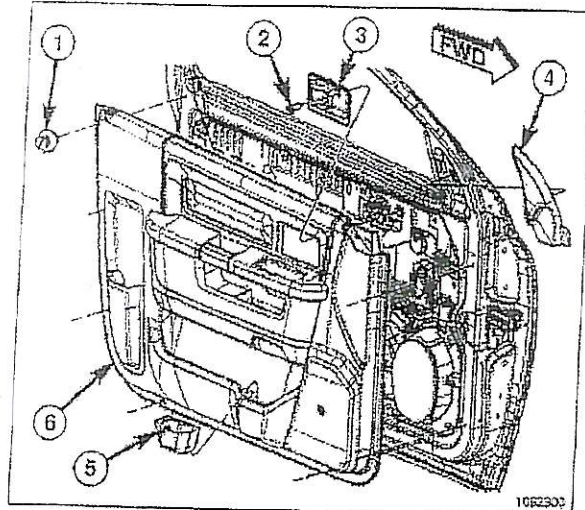
RAM (DS), DAKOTA (ND) and DURANGO (HB)

2

4. Remove the six screws (1) that secure the door trim panel (6).
5. Using a trim stick C-4755 or equivalent, remove the mirror trim cover (4).

CAUTION: The door trim panel is attached to the door by molded plastic retaining clips that are integral to the door trim panel. Do not pull the door trim panel directly off of the door or damage to the trim panel and/or the power switch assembly will occur.

6. Lift the door trim panel straight upward to disconnect the molded plastic retaining clips from the door.
7. If equipped, disconnect the door wire harness from the power door switch assembly and remove the door trim panel.
8. If equipped, disconnect the wire harness connector (2) from the door module (3) and separate the support clip.



06/30/08

K6860243

Rev: 02 1/7/09

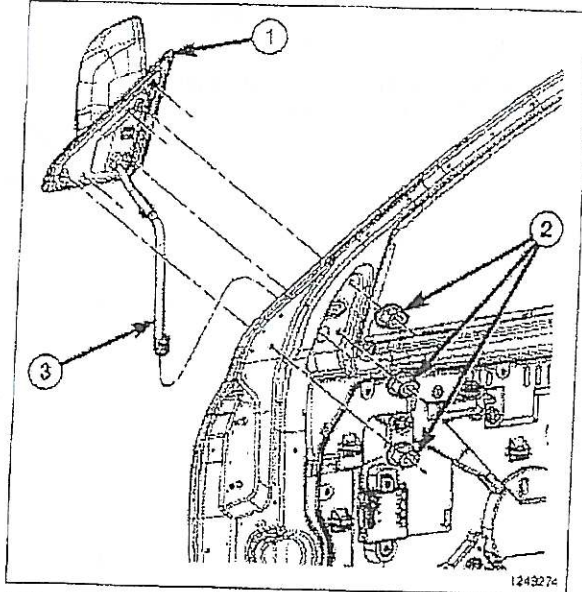


TRAILER TOW MIRRORS

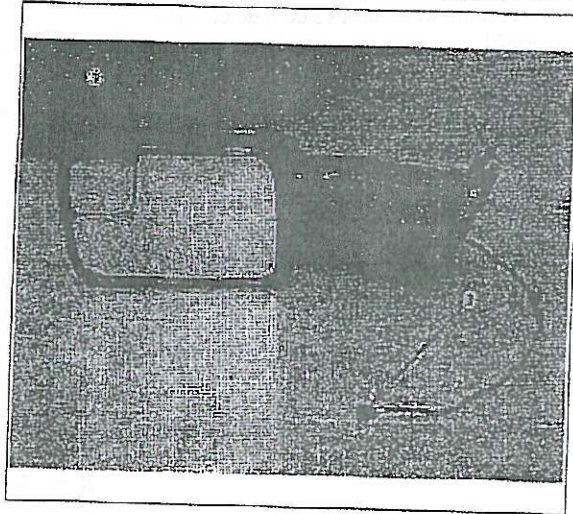
RAM (DS), DAKOTA (ND) and DURANGO (HB)

3

9. Remove the three nuts (2) that secure the mirror to the door and carefully remove the mirror.



10. Install the trailer tow mirror (1).



06/30/08

Rev. 02 1/7/09

K6860243

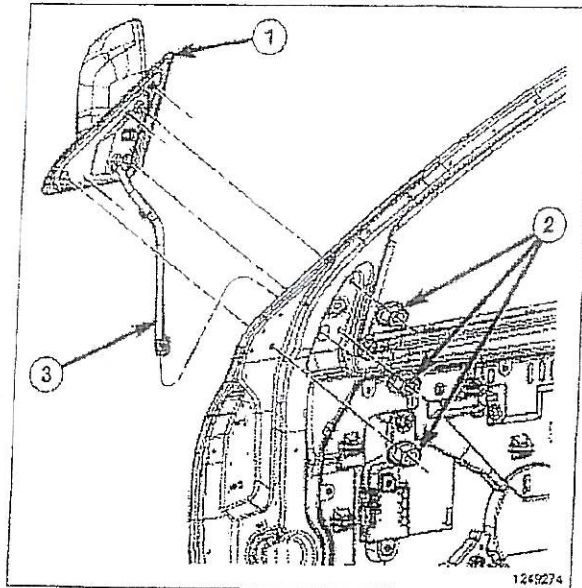


TRAILER TOW MIRRORS

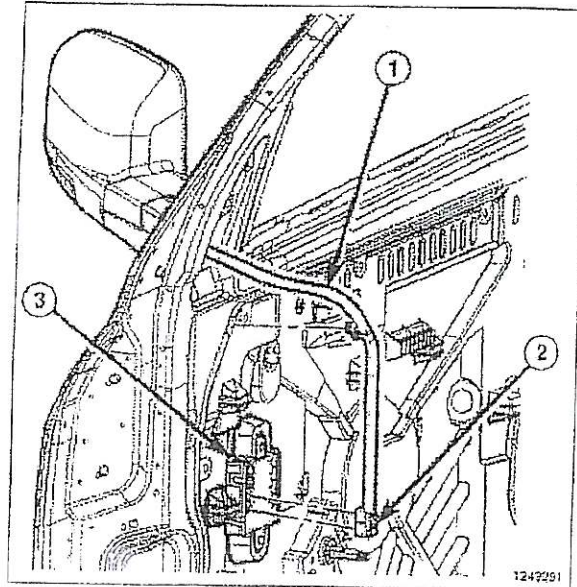
RAM (DS), DAKOTA (ND) and DURANGO (HB)

4

11. Position the wire harness (3) through the door.
12. Position the trailer tow mirror (1) onto the door.
13. Install the three nuts (2) that secure the trailer tow mirror to the door. Tighten the nuts to 7 N·m (60 in. lbs.).



14. If equipped, connect the wire harness connector (2) to the door module (3).



15. Install the left and right front interior door panels.

06/30/08
Rev: 02 1/7/09

K6860243



TRAILER TOW MIRRORS

RAM (DS), DAKOTA (ND) and DURANGO (HB)

5

16. If equipped, connect the door wire harness to the power door switch assembly.

CAUTION: The door trim panel is attached to the door by molded plastic retaining clips that are integral to the door trim panel. Do not force the door trim panel onto the door or damage to the trim panel and/or the power switch assembly will occur.

17. Position the door trim panel and align the molded plastic retaining clips to the door.
18. Push the door trim panel straight downward until all of the retaining clips are fully engaged to the door.
19. Install the six screws (1) that secure the door trim panel to the door (6).
20. If equipped, install the manual window crank.
21. Position the interior door handle trim (3) onto the interior door panel (6).
22. Install the screw (2) that secures the interior door handle trim to the interior door panel. Tighten the screw securely.
23. Install the mirror trim cover (4)

