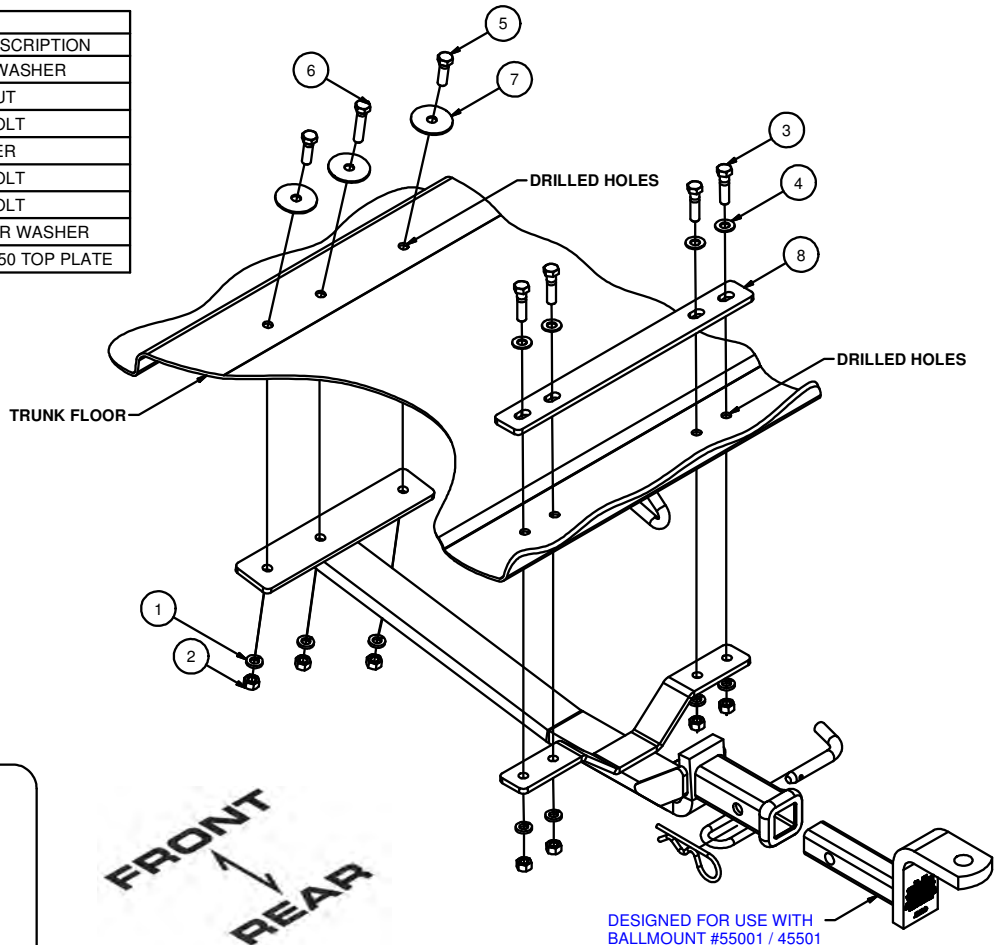


11007**92-95 HYUNDAI ELANTRA SEDAN****3/19/2013****GROSS LOAD CAPACITY WHEN USED AS A WEIGHT CARRYING HITCH: 1,500 LBS. TRAILER WEIGHT & 150 LBS. TONGUE WEIGHT.*******DO NOT EXCEED VEHICLE MANUFACTURER'S RECOMMENDED TOWING CAPACITY.*******WARNING: ALL NON-TRAILER LOADS APPLIED TO THIS PRODUCT MUST BE SUPPORTED BY 18050 STABILIZING STRAPS.****** FAILURE TO PROPERLY SUPPORT NON-TRAILER LOADS WILL VOID PRODUCT WARRANTY******HAVING INSTALLATION QUESTIONS? CALL TECHNICAL SUPPORT AT 1-800-798-0813**

Parts List			
ITEM	QTY	PART NUMBER	DESCRIPTION
1	7	3/8"	LOCK WASHER
2	7	3/8 - 16	HEX NUT
3	4	3/8-16 X 1 1/2	HEX BOLT
4	4	3/8"	WASHER
5	2	3/8 - 16 x 1 1/4	HEX BOLT
6	1	3/8 - 16 x 1 3/4	HEX BOLT
7	3	3/8"	FENDER WASHER
8	1	CM-11007-TP	.25 x 1.50 TOP PLATE



HITCH WEIGHT: 20 LBS.

INSTALL TIME

PROFESSIONAL: 45 MINUTES

NOVICE (DIY): 90 MINUTES

INSTALL NOTES:

- DRILLING REQUIRED
- CLEAR TRUNK
- SILICONE SEAL HARDWARE

INSTALLATION STEPS

1. Temporarily remove contents from trunk. This hitch fastens to the trunk floor as shown above. Locate and mark vehicle's centerline on the bottom of trunk floor.
2. Position the hitch at the underside of the trunk floor, centered, and square with vehicle. The hitch should position front / back so the rear bracket meets the floor rib as shown.
3. Use hitch as template to mark and center punch (7) holes in trunk floor. Drill these holes for 3/8" diameter bolts.
4. Install fasteners as shown above with CM-11007-TP top plate, washers, and fender washers inside of vehicle, opposite the hitch.
5. Torque all 3/8" fasteners to 45 lb-ft.
6. Silicone seal hardware installed through the trunk floor.
7. Reinstall contents from trunk that were removed in Step 1.

PERIODICALLY CHECK THIS RECEIVER HITCH TO ENSURE THAT ALL FASTENERS ARE TIGHT AND THAT ALL STRUCTURAL COMPONENTS ARE SOUND.

Curt Manufacturing Inc., warrants this product to be free of defects in material and/or workmanship at the time of retail purchase by the original purchaser. If the product is found to be defective, Curt Manufacturing Inc., may repair or replace the product, at their option, when the product is returned, prepaid, with proof of purchase. Alteration to, misuse of, or improper installation of this product voids the warranty. Curt Manufacturing Inc.'s liability is limited to repair or replacement of products found to be defective, and specifically excludes liability for incidental or consequential loss or damage.