

**11038****94-99 DODGE & PLYMOUTH NEON**

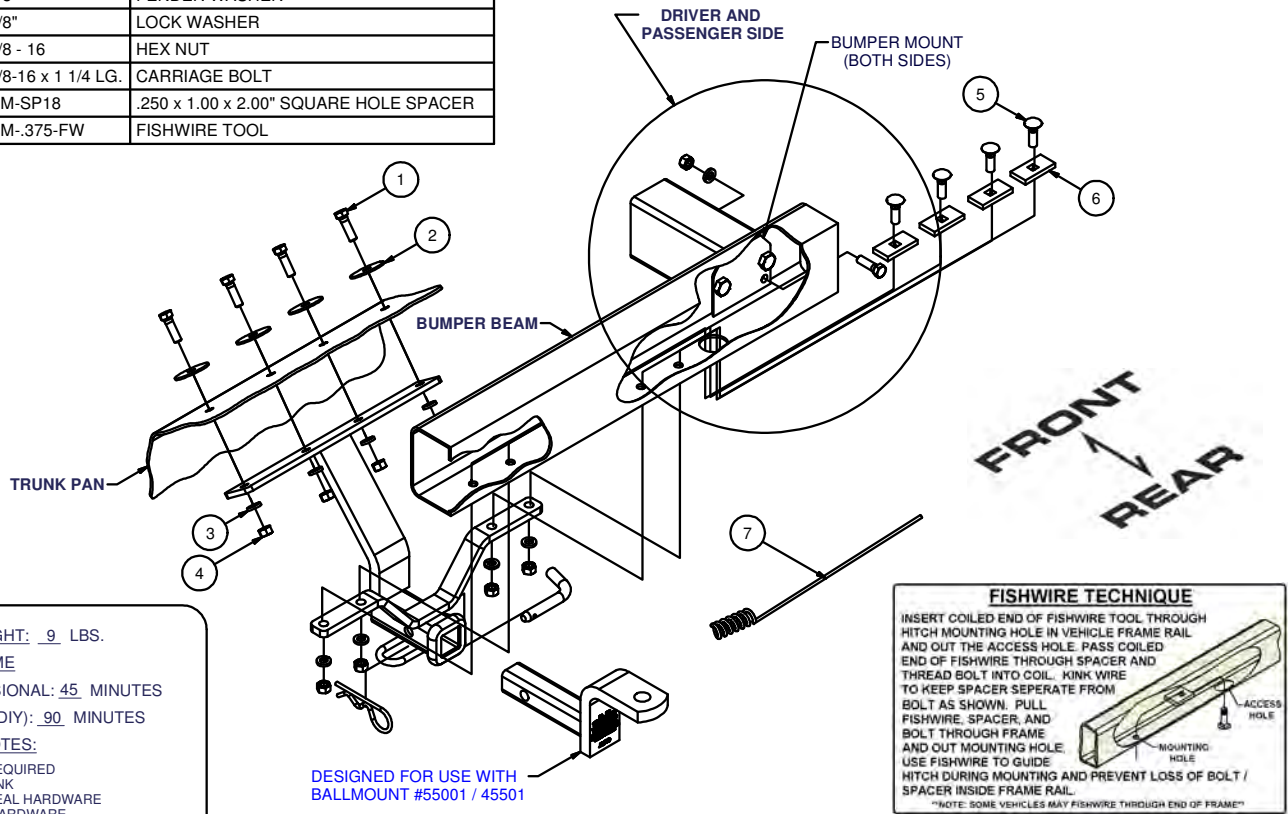
11/26/2012

GROSS LOAD CAPACITY WHEN USED AS A WEIGHT CARRYING HITCH: 2,000 LBS. TRAILER WEIGHT &amp; 200 LBS. TONGUE WEIGHT.

**\*\*\*DO NOT EXCEED VEHICLE MANUFACTURER'S RECOMMENDED TOWING CAPACITY.\*\*\*****WARNING: ALL NON-TRAILER LOADS APPLIED TO THIS PRODUCT MUST BE SUPPORTED BY AUXILIARY STABILIZING STRAPS.****\*\* FAILURE TO PROPERLY SUPPORT NON-TRAILER LOADS WILL VOID PRODUCT WARRANTY\*\***

HAVING INSTALLATION QUESTIONS? CALL TECHNICAL SUPPORT AT 1-800-798-0813

Parts List			
ITEM	QTY	PART NUMBER	DESCRIPTION
1	6	3/8 - 16 x 1 1/4	HEX BOLT
2	4	3/8"	FENDER WASHER
3	10	3/8"	LOCK WASHER
4	10	3/8 - 16	HEX NUT
5	4	3/8-16 x 1 1/4 LG.	CARRIAGE BOLT
6	4	CM-SP18	.250 x 1.00 x 2.00" SQUARE HOLE SPACER
7	1	CM-375-FW	FISHWIRE TOOL



HITCH WEIGHT: 9 LBS.

**INSTALL TIME**

PROFESSIONAL: 45 MINUTES

NOVICE (DIY): 90 MINUTES

**INSTALL NOTES:**

- DRILLING REQUIRED
- CLEAR TRUNK
- SILICONE SEAL HARDWARE
- FISHWIRE HARDWARE

**INSTALLATION STEPS**

1. This hitch mounts to the bottom of the bumper and to the rearward section of the trunk pan. Clear trunk area for drilling of mounting holes.
2. Remove (2) plastic snaps holding the bumper fascia to the bumper. Lift the hitch into position and align it with the car centerline. Using the hitch as a template, drill the bumper for fasteners as shown. Install fasteners as shown using the fishwire technique. Access is from the ends of the bumper or installer drilled access hole.
3. Making sure the hitch is square and level, use the hitch as a template and drill the trunk pan for 3/8" diameter bolts. Install fasteners as shown.
4. Drill the bumper mounts for fasteners as shown; on the outside ears of left and right frame rails. These fasteners are for increased vertical load capacity of the bumper.
5. Torque all 3/8" fasteners to 45 lb-ft.
6. Use silicone sealant to seal hardware installed through trunk pan.
7. Reinstall contents removed from trunk in Step 1.

**PERIODICALLY CHECK THIS RECEIVER HITCH TO ENSURE THAT ALL FASTENERS ARE TIGHT AND THAT ALL STRUCTURAL COMPONENTS ARE SOUND.**

Curt Manufacturing Inc., warrants this product to be free of defects in material and/or workmanship at the time of retail purchase by the original purchaser. If the product is found to be defective, Curt Manufacturing Inc., may repair or replace the product, at their option, when the product is returned, prepaid, with proof of purchase. Alteration to, misuse of, or improper installation of this product voids the warranty. Curt Manufacturing Inc.'s liability is limited to repair or replacement of products found to be defective, and specifically excludes liability for incidental or consequential loss or damage.