



11048 INSTALLATION INSTRUCTIONS



Safety glasses should be worn at all times while installing this product.

YEARS: 2010-2011

MAKE: FORD

MODEL: MUSTANG

STYLE: COUPE

WARNING: NEVER EXCEED YOUR VEHICLE MANUFACTURER'S RECOMMENDED TOWING CAPACITY





WEIGHT CARRYING:
 TRAILER WEIGHT: 2,000 LBS.
 TONGUE WEIGHT: 200 LBS.

WARNING:
 WE RECOMMEND THE USE OF 18050 STABILIZING STRAPS FOR ALL NON-TRAILER (WHEEL-LESS) LOADS. PLEASE SEE THE CURT CATALOG OR VISIT US ONLINE AT WWW.CURTMFG.COM FOR FURTHER INFORMATION.

INSTALLATION TIME: 60 MIN.

THE INSTALL TIME LISTED IS FOR PROFESSIONAL INSTALLERS. IF YOU ARE HESITANT TO UNDERTAKE THIS TASK ON YOUR OWN, CONTACT AN AUTHORIZED CURT INSTALLER FOR ADDITIONAL ASSISTANCE.


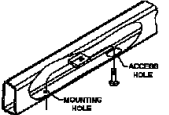


INSTALLATION REQUIRES:

 PRY BAR	 RATCHET	 9/16" 11/16" 13mm 15mm SOCKET
 TORQUE WRENCH	 SAFETY GLASSES	

INSTALLATION TIPS:

- BEFORE YOU BEGIN INSTALLATION, READ ALL INSTRUCTIONS THOROUGHLY.
- TO EASE INSTALLATION, 2 PEOPLE MAY BE REQUIRED.
- USING PROPER TOOLS WILL GREATLY IMPROVE THE QUALITY OF THE INSTALL AND REDUCE THE TIME REQUIRED.
- NEED HELP OR HAVE SOME QUESTIONS? CALL TECHNICAL SUPPORT AT 800.798.0813

LEVEL OF DIFFICULTY: **HARD**

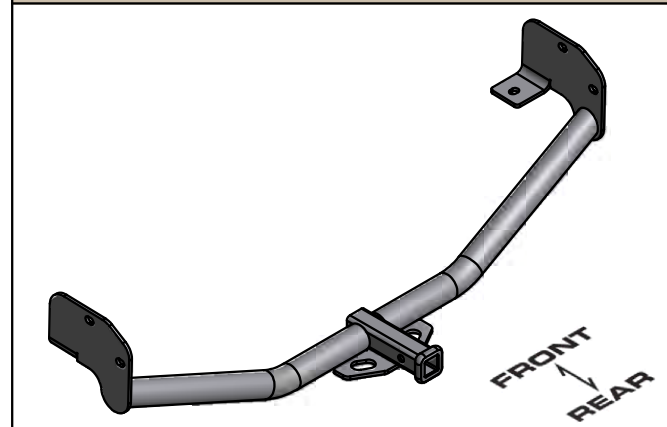
EASY	MODERATE	HARD
	REMOVE (2) RUBBER ISOLATORS	
	FISHWIRE HARDWARE	
	EXHAUST HANGER RELOCATION REQUIRED ON SOME MODELS	
	NO DRILLING REQUIRED	

VEHICLE PHOTO:



REPRESENTATIVE PHOTO

HITCH ILLUSTRATION:



MAKE SURE YOUR HITCH MATCHES

PERIODICALLY CHECK THIS RECEIVER HITCH TO ENSURE ALL FASTENERS ARE TIGHT AND ALL STRUCTURAL COMPONENTS ARE SOUND

CURT Manufacturing Inc. warrants this product to be free of defects in material and/or workmanship at the time of retail purchase by the original purchaser. If the product is found to be defective, Curt Manufacturing Inc. may repair or replace the product at their option, when the product is returned, prepaid, with proof of purchase. Alteration to, misuse of, or improper installation of this product voids the warranty. Curt Manufacturing Inc.'s liability is limited to repair or replacement of products found to be defective, and specifically excludes liability for incidental or consequential loss or damage.

For more information log onto www.curtmfg.com, & for helpful towing tips log onto www.hitchinfo.com

INSTALLATION WALKTHROUGH:

Parts List			
ITEM	QTY	PART NUMBER	DESCRIPTION
1	2	7/16-14 x 1	CARRIAGE BOLT
2	6	CM-SP2	.250 x .88 x 2.25" SQUARE HOLE SPACER
3	4	7/16-14 x 1 1/2	CARRIAGE BOLT
4	6	7/16-14	HEX FLANGE NUT
5	4	7_16 FISHWIRE	7/16" FISHWIRE
6	2	3_8-16 x 2	CARRIAGE BOLT
7	2	CM-SP18	.250 x 1.00 x 2.00" SQUARE HOLE SPACER
8	2	CM-SP52	.500 x 1.25 x 2.50" ROUND HOLE SPACER
9	2	HFN3816	HEX FLANGE NUT
10	2	3_8 FISHWIRE	3/8" FISHWIRE

EXHAUST HANGER RELOCATION (2010 MODELS ONLY) (DRIVER AND PASSENGER SIDES)

1. Remove the rearmost rubber isolator on both mufflers. Note: If installing on a 2010 model skip to STEP 2.



INSTALLATION WALKTHROUGH:

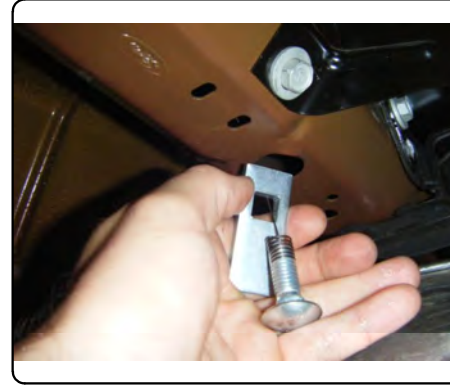
2. (2010 models only) The rear exhaust hangers need to be removed. They will be relocated after hitch is in position. Return (4) fasteners to vehicle owner.



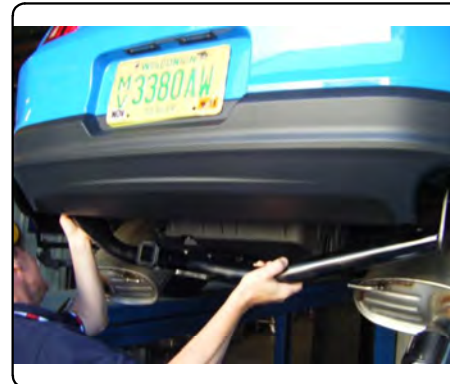
3. Lower exhaust by loosening the strap which fastens the exhaust pipes together behind the muffler and detach the pipes from each other. Carefully lower the rear of the muffler and let it hang from the remaining exhaust hanger. Repeat on other side. Note: On 2010 models it may be easier to remove the forward exhaust hangers and remove mufflers. It is possible to install hitch on either model year by leaving the pipes attached and removing both sets of exhaust hangers but a vehicle lift is then required to install hitch.



4. Fishwire the shorter 7/16 x 1" carriage bolts and SP2 spacers into place through the access holes, as shown. Note: This is the hardware that will fasten to the bottom of the frame rail.

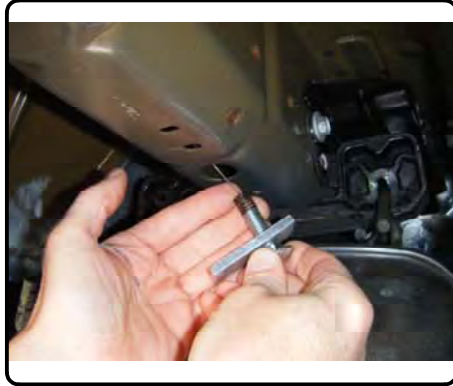


5. Raise hitch into position, being careful not to push the carriage bolts back into the frame rails. Loosely attach hitch with (2) 7/16" flange nuts.



INSTALLATION WALKTHROUGH:

6. Fishwire (2) 7/16 x 1 1/2" carriage bolts and (2) SP-2 spacers through access hole and into position on each side. Loosely attach with 7/16" flange nuts. Note: On driver side of 2010 models fishwire (1) 7/16 x 1.5" carriage bolt and (1) SP-2 spacer into the lower hole on the outside of frame rail.



7. (2010 models only) Fishwire (1) 3/8 x 2" carriage bolt and (1) SP-18 spacer through access hole and into the upper outside hole on driver side frame rail and hitch. Place (1) SP-52 spacer and exhaust hanger onto carriage bolt and secure with 3/8" flange nut. (See EXHAUST HANGER HARDWARE ORIENTATION on page 2)



8. (2010 models only) On the passenger side frame rail fishwire (1) 3/8 x 2" carriage bolt and (1) SP-18 spacer into the upper hole on the inside of frame rail. Place (1) SP-52 and exhaust hanger onto bolt and secure with 3/8" flange nut. (See EXHAUST HANGER HARDWARE ORIENTATION on page 2)



9. Torque all 3/8" hardware to 45 ft/lbs and all 7/16" hardware to 70 ft/lbs. Re-install exhaust. Install is complete.



11048

FORD MUSTANG

10/12/2012

PAGE 1 OF 2

GROSS LOAD CAPACITY WHEN USED AS A WEIGHT CARRYING HITCH: 2,000 LBS. TRAILER WEIGHT & 200 LBS. TONGUE WEIGHT.

*****DO NOT EXCEED VEHICLE MANUFACTURER'S RECOMMENDED TOWING CAPACITY.*****

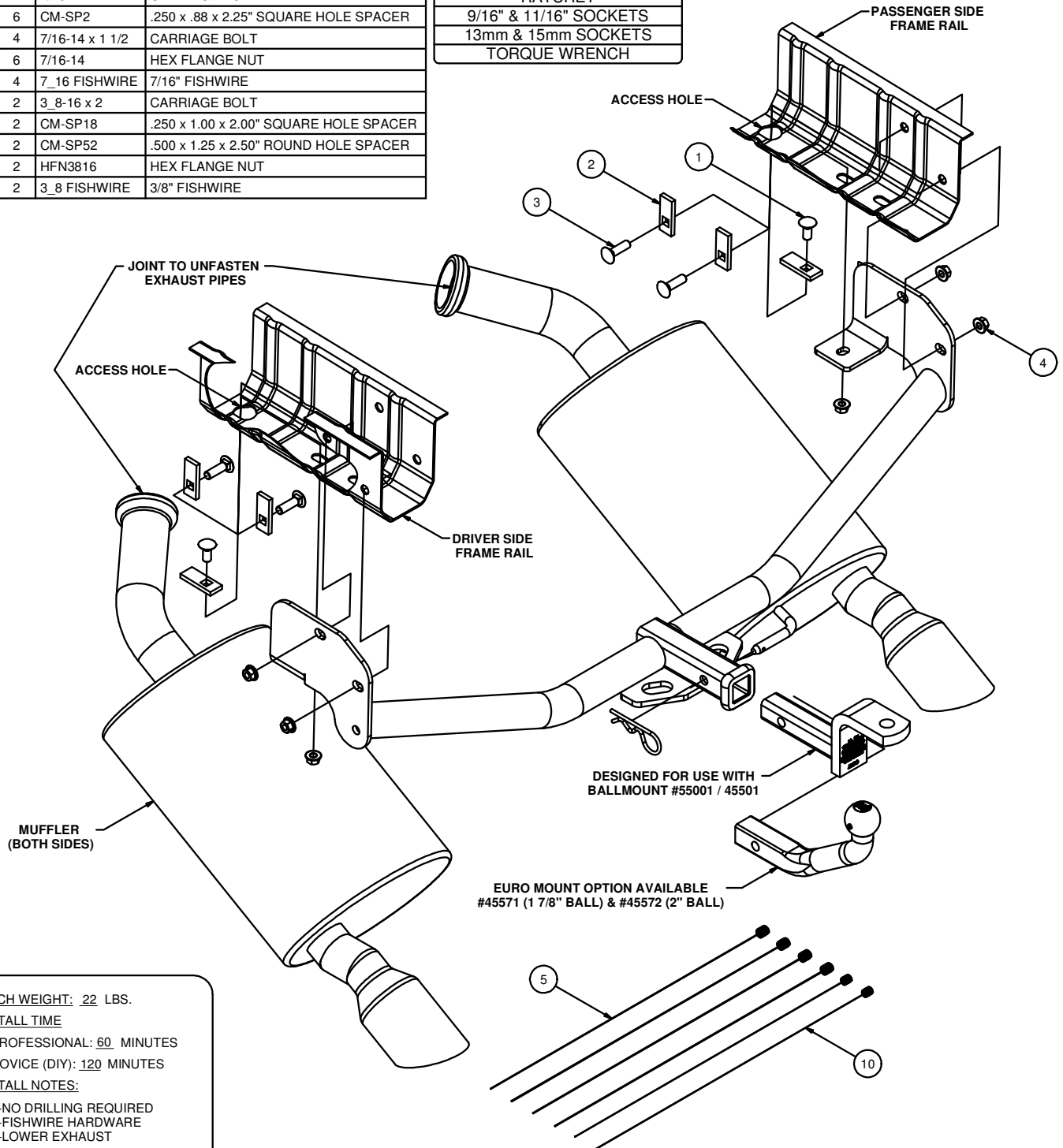
WARNING: ALL NON-TRAILER LOADS APPLIED TO THIS PRODUCT MUST BE SUPPORTED BY 18050 STABILIZING STRAPS.

**** FAILURE TO PROPERLY SUPPORT NON-TRAILER LOADS WILL VOID PRODUCT WARRANTY****

HAVING INSTALLATION QUESTIONS? CALL TECHNICAL SUPPORT AT 1-800-798-0813

Parts List			
ITEM	QTY	PART NUMBER	DESCRIPTION
1	2	7/16-14 x 1	CARRIAGE BOLT
2	6	CM-SP2	.250 x .88 x 2.25" SQUARE HOLE SPACER
3	4	7/16-14 x 1 1/2	CARRIAGE BOLT
4	6	7/16-14	HEX FLANGE NUT
5	4	7_16 FISHWIRE	7/16" FISHWIRE
6	2	3_8-16 x 2	CARRIAGE BOLT
7	2	CM-SP18	.250 x 1.00 x 2.00" SQUARE HOLE SPACER
8	2	CM-SP52	.500 x 1.25 x 2.50" ROUND HOLE SPACER
9	2	HFN3816	HEX FLANGE NUT
10	2	3_8 FISHWIRE	3/8" FISHWIRE

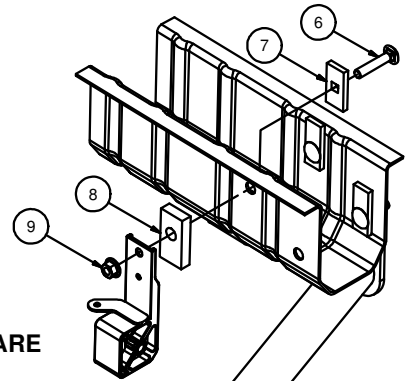
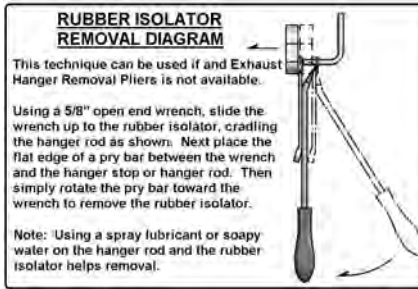
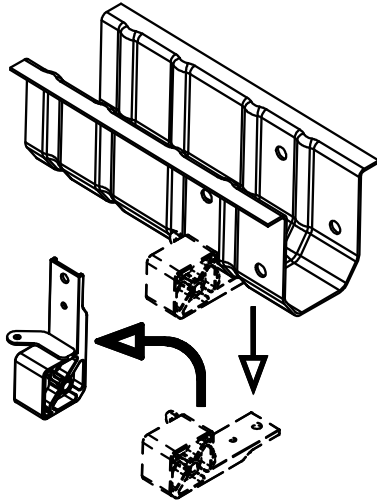
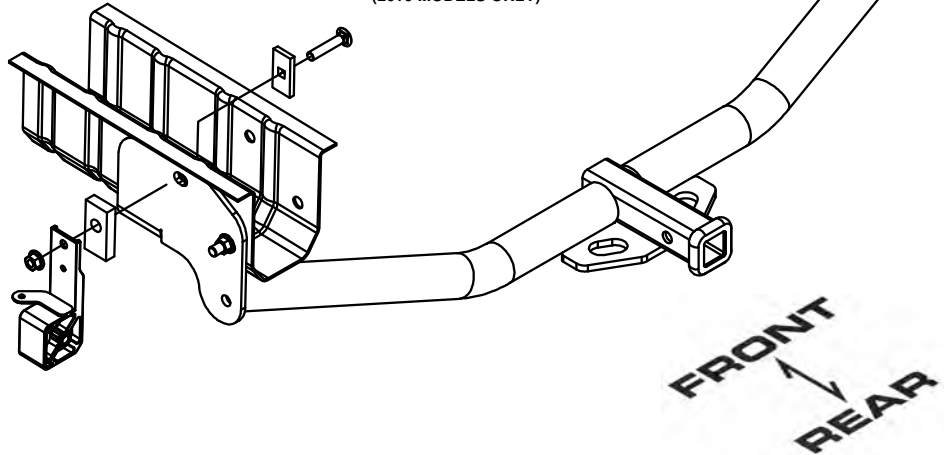
TOOLS REQUIRED
PRY BAR
RATCHET
9/16" & 11/16" SOCKETS
13mm & 15mm SOCKETS
TORQUE WRENCH



HITCH WEIGHT: 22 LBS.
 INSTALL TIME
 PROFESSIONAL: 60 MINUTES
 NOVICE (DIY): 120 MINUTES
 INSTALL NOTES:
 -NO DRILLING REQUIRED
 -FISHWIRE HARDWARE
 -LOWER EXHAUST

PERIODICALLY CHECK THIS RECEIVER HITCH TO ENSURE THAT ALL FASTENERS ARE TIGHT AND THAT ALL STRUCTURAL COMPONENTS ARE SOUND.

Curt Manufacturing Inc., warrants this product to be free of defects in material and/or workmanship at the time of retail purchase by the original purchaser. If the product is found to be defective, Curt Manufacturing Inc., may repair or replace the product, at their option, when the product is returned, prepaid, with proof of purchase. Alteration to, misuse of, or improper installation of this product voids the warranty. Curt Manufacturing Inc.'s liability is limited to repair or replacement of products found to be defective, and specifically excludes liability for incidental or consequential loss or damage.

EXHAUST HANGER RELOCATION(2010 MODELS ONLY)
(DRIVER AND PASSENGER SIDES)**EXHAUST HANGER HARDWARE
ORIENTATION**
(2010 MODELS ONLY)**FISHWIRE TECHNIQUE**

INSERT COILED END OF FISHWIRE TOOL THROUGH HITCH MOUNTING HOLE IN VEHICLE FRAME RAIL AND OUT THE ACCESS HOLE. PASS COILED END OF FISHWIRE THROUGH SPACER AND THREAD BOLT INTO COIL. KINK WIRE TO KEEP SPACER SEPARATE FROM BOLT AS SHOWN. PULL FISHWIRE, SPACER, AND BOLT THROUGH FRAME AND OUT MOUNTING HOLE. USE FISHWIRE TO GUIDE HITCH DURING MOUNTING AND PREVENT LOSS OF BOLT / SPACER INSIDE FRAME RAIL.

NOTE: SOME VEHICLES MAY FISHWIRE THROUGH END OF FRAME

INSTALLATION STEPS

1. Remove the rearmost rubber isolator on both mufflers. (See RUBBER ISOLATOR REMOVAL DIAGRAM)
Note: On 2010 models the rear exhaust hangers need to be removed and relocated on both sides. (See EXHAUST HANGER RELOCATION) Return the (4) fasteners removed from hangers to vehicle owner.
2. Lower exhaust by loosening the strap which fastens the exhaust pipes together behind the muffler and detaching the pipes from each other. Carefully lower the rear of the muffler and let it hang from the remaining exhaust hanger. Repeat on other side. Note: On 2010 models it may be easier to remove the forward exhaust hangers and remove mufflers. It is possible to install hitch on either model year by leaving the pipes attached and removing both sets of exhaust hangers but a vehicle lift is then required to install hitch.
3. Fishwire the shorter 7/16 x 1" carriage bolts and SP2 spacers into place through the access holes, as shown.
Note: This is the hardware that will fasten to the bottom of the frame rail. (See FISHWIRE TECHNIQUE)
4. Raise hitch into position, being careful not to push the carriage bolts back into the frame rails. Loosely attach hitch with (2) 7/16" flange nuts, as shown.
5. Fishwire (2) 7/16 x 1 1/2" carriage bolts and (2) SP-2 spacers through access hole and into position on each side, as shown. Loosely attach with 7/16" flange nuts. Note: On driver side of 2010 models fishwire (1) 7/16 x 1.5" carriage bolt and (1) SP-2 spacer into the lower hole on the outside of frame rail.
6. (For 2010 models only) Fishwire (1) 3/8 x 2" carriage bolt and (1) SP-18 spacer through access hole and into the upper outside hole on driver side frame rail and hitch. Place (1) SP-52 spacer and exhaust hanger onto carriage bolt and secure with 3/8" flange nut. On the passenger side frame rail fishwire (1) 3/8 x 2" carriage bolt and (1) SP-18 spacer into the upper hole on the inside of frame rail. Place (1) SP-52 and exhaust hanger onto bolt and secure with 3/8" flange nut. (See EXHAUST HANGER HARDWARE ORIENTATION)
7. Torque all 3/8" hardware to 45 ft/lbs and all 7/16" hardware to 70 ft/lbs. Re-install exhaust.

**PERIODICALLY CHECK THIS RECEIVER HITCH TO ENSURE THAT ALL FASTENERS
ARE TIGHT AND THAT ALL STRUCTURAL COMPONENTS ARE SOUND.**