

GROSS LOAD CAPACITY WHEN USED AS A WEIGHT CARRYING HITCH: 2,000 LBS. TRAILER WEIGHT & 200 LBS. TONGUE WEIGHT.

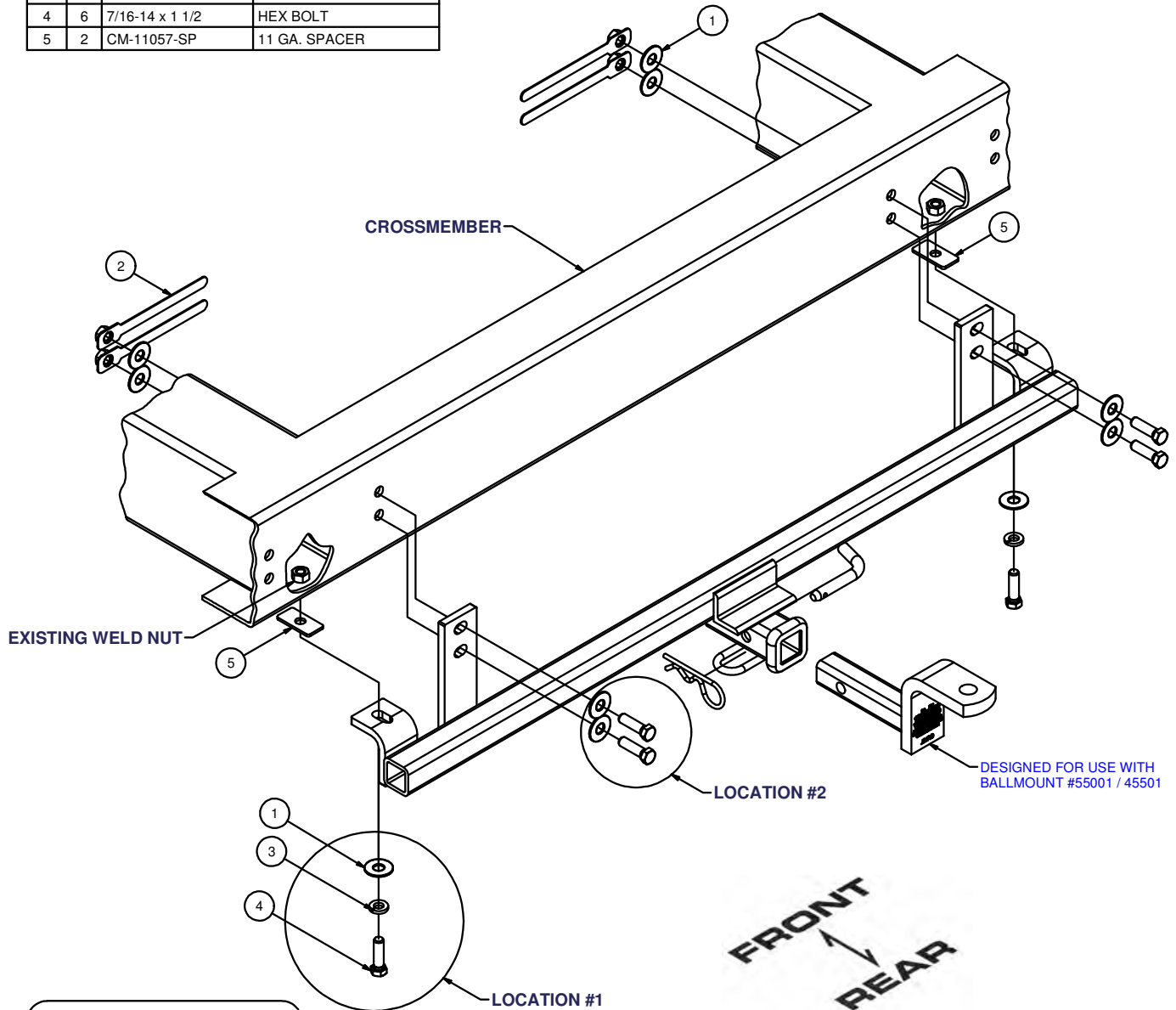
**\*\*\*DO NOT EXCEED VEHICLE MANUFACTURER'S RECOMMENDED TOWING CAPACITY.\*\*\***

**WARNING: ALL NON-TRAILER LOADS APPLIED TO THIS PRODUCT MUST BE SUPPORTED BY AUXILIARY STABILIZING STRAPS.**

**\*\* FAILURE TO PROPERLY SUPPORT NON-TRAILER LOADS WILL VOID PRODUCT WARRANTY\*\***

HAVING INSTALLATION QUESTIONS? CALL TECHNICAL SUPPORT AT 1-800-798-0813

Parts List			
ITEM	QTY	PART NUMBER	DESCRIPTION
1	10	7/16 WASHER	WASHER
2	4	7_16-14 TAB NUT	HANDLE NUT
3	2	7/16 LOCK WASHER	HELICAL LOCK WASHER
4	6	7/16-14 x 1 1/2	HEX BOLT
5	2	CM-11057-SP	11 GA. SPACER



HITCH WEIGHT: 22 LBS.  
INSTALL TIME  
 PROFESSIONAL: 60 MINUTES  
 NOVICE (DIY): 120 MINUTES  
INSTALL NOTES:  
 -NO DRILLING REQUIRED

**PERIODICALLY CHECK THIS RECEIVER HITCH TO ENSURE THAT ALL FASTENERS ARE TIGHT AND THAT ALL STRUCTURAL COMPONENTS ARE SOUND.**

Curt Manufacturing Inc., warrants this product to be free of defects in material and/or workmanship at the time of retail purchase by the original purchaser. If the product is found to be defective, Curt Manufacturing Inc., may repair or replace the product, at their option, when the product is returned, prepaid, with proof of purchase. Alteration to, misuse of, or improper installation of this product voids the warranty. Curt Manufacturing Inc.'s liability is limited to repair or replacement of products found to be defective, and specifically excludes liability for incidental or consequential loss or damage.

**INSTALLATION STEPS****1987-96 Standard Wrangler Models with Bumperettes:**

- 1) Remove the two inside mounting bolts on both sides for fasteners at location #2. Lift the hitch into position, sliding the vertical plates of hitch between the bumperette and rear surface of crossmember.
- 2) Align slots in both angle brackets of hitch, with existing weldnuts in the bottom of frame rails. Install fasteners at location #1 including spacers.
- 3) Install fasteners at location #2, passing bolts through bumperette, hitch bracket and crossmember. Install washers and handle nuts through a small opening near the frame rails.
- 4) Torque all 7/16" fasteners to 70 lb-ft.

**1991-94 Wrangler Renegade Models:**

- 1) Temporarily remove the plastic fascia, by removing plastic fasteners and small bolts from each edge. Remove the two inside mounting bolts of bumper plates on both sides for fasteners at location #2. Lift hitch into position with slots in vertical plates of hitch over bumper plates.
- 2) Align slots in both angle brackets of hitch, with existing weldnuts in bottom of the frame rails. Install fasteners at location #1 including spacers.
- 3) Install fasteners at location #2, passing bolts through the hitch bracket, bumper plate and crossmember. Install washers and handle nuts through a small opening near the frame rails.
- 4) Replace fascia, trim the bottom edge of fascia to clear the hitch mounting brackets as necessary.
- 5) Torque all 7/16" fasteners to 70 lb-ft.

**1997 Models:**

- 1) Remove bolts for the bumper bracket for fasteners at location #1. Lift the hitch into position with slots in vertical plates of hitch over the existing holes in crossmember.
- 2) Align slots in both angle brackets of hitch, with existing weldnuts in bottom of frame rails. Install fasteners #1. Do not install spacers.
- 3) Install fasteners at location #2, passing bolts through hitch bracket and crossmember as shown. Install washers and handle nuts through a small opening near the frame rails.
- 4) Torque all 7/16" fasteners to 70 lb-ft.

**1998 and Later Models:**

- 1) Temporarily remove the bumper by removing the bolts from the bumper bracket at location #1. Remove "TORX" screws holding the bumper end caps in place and unbolt and remove bumper.
- 2) Lift the hitch into position, align the slots in both angle brackets of hitch with existing weldnuts in the bottom of the frame rails. Temporarily install spacers between the frame and bracket as shown. Loosely install fasteners at location #1. Using the hitch as a template, drill holes for fasteners at location #2. Remove hitch from vehicle and reinstall the bumper.
- 3) Lift the hitch into position, align the slots in both angle bracket of hitch with existing weldnuts in the bottom of the frame rails. Install fasteners at location #1. Do not install spacers.
- 4) Install fasteners at location #2, passing bolts through hitch bracket and crossmember as shown below. Install washers and handle nuts through small opening near frame rails.
- 5) Torque all 7/16" fasteners to 70 lb-ft.

**PERIODICALLY CHECK THIS RECEIVER HITCH TO ENSURE THAT ALL FASTENERS ARE TIGHT AND THAT ALL STRUCTURAL COMPONENTS ARE SOUND.**