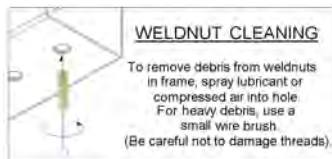
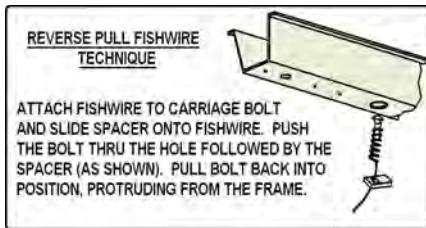


**11074****VOLKSWAGEN RABBIT/GTI****9/28/2012****GROSS LOAD CAPACITY WHEN USED AS A WEIGHT CARRYING HITCH: 2,000 LBS. TRAILER WEIGHT & 200 LBS. TONGUE WEIGHT.****\*\*\*DO NOT EXCEED VEHICLE MANUFACTURER'S RECOMMENDED TOWING CAPACITY.\*\*\*****WARNING: ALL NON-TRAILER LOADS APPLIED TO THIS PRODUCT MUST BE SUPPORTED BY AUXILIARY STABILIZING STRAPS.****\*\* FAILURE TO PROPERLY SUPPORT NON-TRAILER LOADS WILL VOID PRODUCT WARRANTY\*\*****HAVING INSTALLATION QUESTIONS? CALL TECHNICAL SUPPORT AT 1-800-798-0813**

Parts List			
ITEM	QTY	PART NUMBER	DESCRIPTION
1	2	1/2 - 13 x 2"	CARRIAGE BOLT
2	2	HFN 1213	HEX FLANGE NUT
3	2	1_2 FISHWIRE	1/2" FISHWIRE
4	2	CM-SP10	.250 x 1.00 x 2.50" SQUARE HOLE SPACER



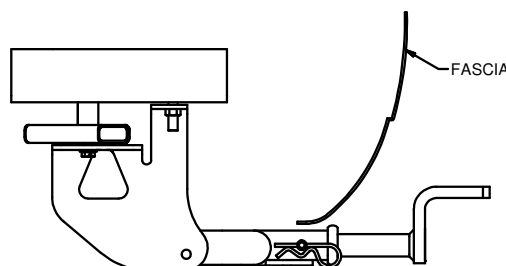
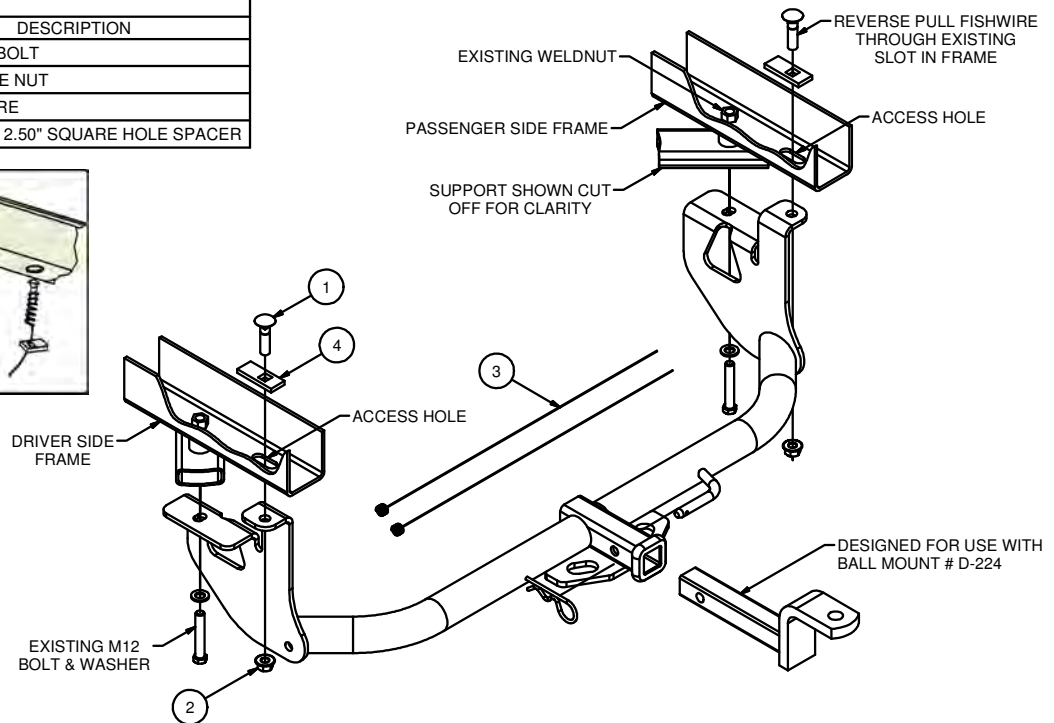
**TOOLS REQUIRED**

RACHET
EXTENSION
3/4" SOCKET
18mm SOCKET
TORQUE WRENCH

**HITCH WEIGHT: 28 LBS.****INSTALL TIME**PROFESSIONAL: 15 MINUTESNOVICE (DIY): 30 MINUTES**INSTALL NOTES:**

-NO DRILLING REQUIRED

-FISHWIRE HARDWARE

**INSTALLED HITCH POSITION****INSTALLATION STEPS**

1. Reverse pull fishwire 1/2" carriage bolts and SP-10 spacers through access holes on driver and passenger side frames. (Leave fishwires attached)
2. Remove existing M12 bolts and washers from driver side and passenger side.
3. Raise hitch into position feeding fishwires through the hitch side plate holes. (Note: If necessary to get the passenger side into position, loosen the exhaust hanger on the passenger side to allow the exhaust bracket to move side to side.)
4. Re-install the M12 bolts and washers through hitch and frame support removed in Step 2.
5. Remove fishwires and install 1/2" flange nuts as shown.
6. Torque all 1/2" hardware to 110 ft-lbs and all M12 bolts to 79 ft-lbs.
7. Re-tighten the exhaust hanger on the passenger side if loosened in Step 3.

**PERIODICALLY CHECK THIS RECEIVER HITCH TO ENSURE THAT ALL FASTENERS ARE TIGHT AND THAT ALL STRUCTURAL COMPONENTS ARE SOUND.**

Curt Manufacturing Inc., warrants this product to be free of defects in material and/or workmanship at the time of retail purchase by the original purchaser. If the product is found to be defective, Curt Manufacturing Inc., may repair or replace the product, at their option, when the product is returned, prepaid, with proof of purchase. Alteration to, misuse of, or improper installation of this product voids the warranty. Curt Manufacturing Inc.'s liability is limited to repair or replacement of products found to be defective, and specifically excludes liability for incidental or consequential loss or damage.