

11081

CHRYSLER SEBRING SEDAN ALL, INC. CONVERTIBLE, DODGE AVENGER ALL (INCLUDING RT)

10/15/2012

GROSS LOAD CAPACITY WHEN USED AS A WEIGHT CARRYING HITCH: 2000 LBS. TRAILER WEIGHT & 200 LBS. TONGUE WEIGHT.

*****DO NOT EXCEED VEHICLE MANUFACTURER'S RECOMMENDED TOWING CAPACITY.*****

WARNING: ALL NON-TRAILER LOADS APPLIED TO THIS PRODUCT MUST BE SUPPORTED BY 18050 STABILIZING STRAPS.

**** FAILURE TO PROPERLY SUPPORT NON-TRAILER LOADS WILL VOID PRODUCT WARRANTY****

HAVING INSTALLATION QUESTIONS? CALL TECHNICAL SUPPORT AT 1-800-798-0813

		Parts List	
ITEM	QTY	PART NUMBER	DESCRIPTION
1	2	1_2 - 13 x 4 1_2 HEX	HEX BOLT
2	2	CM-SP34	.188 x 1.50 x 3.00" ROUND HOLE SPACER
3	4	HFN 1213	HEX FLANGE NUT
4	2	1/2-13 x 1 3/4	CARRIAGE BOLT
5	2	CM-SP12	.250 x 1.00 x 2.00" SQUARE HOLE SPACER
6	2	1_2 FISHWIRE	1/2" FISHWIRE

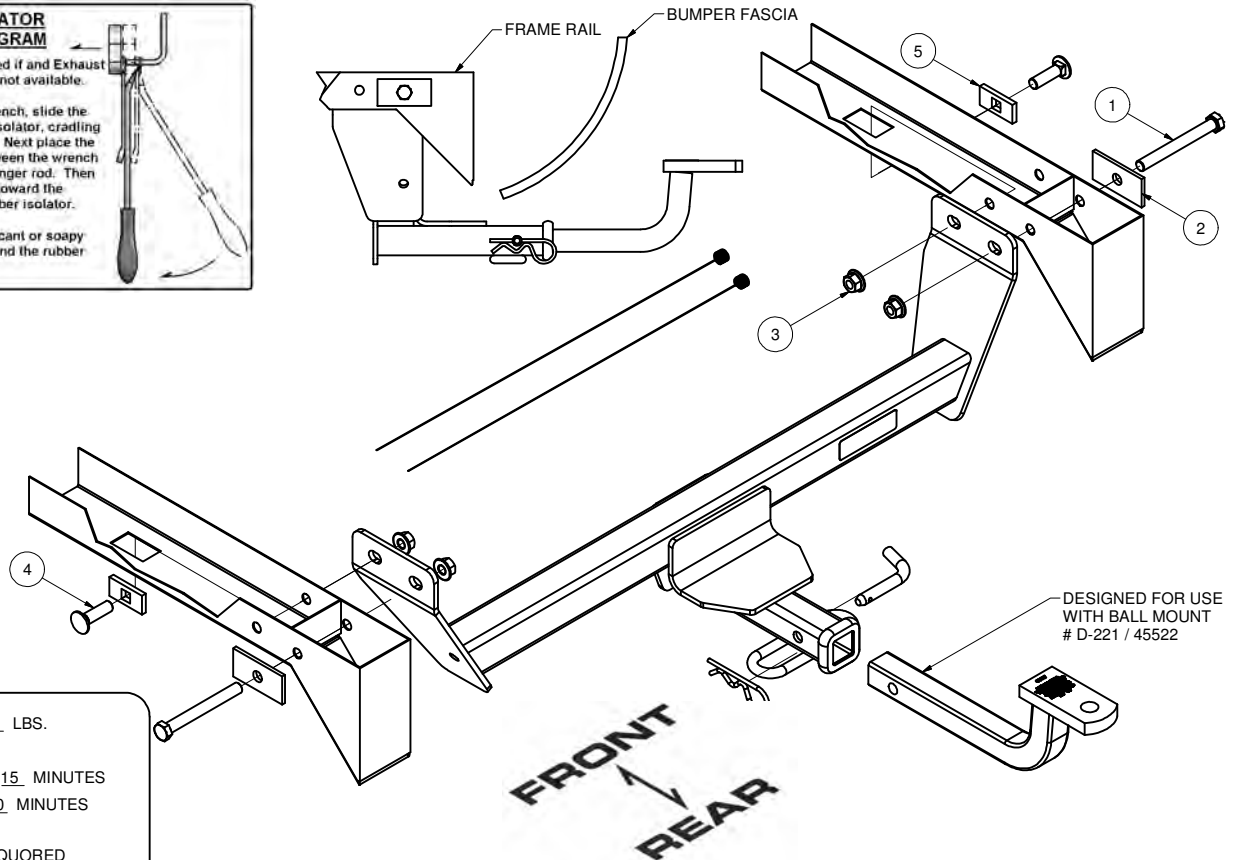
TOOLS REQUIRED
3/8" DRIVE RATCHET
3/4", 3/8" DRIVE SOCKET
3/4" WRENCH
3/8" DRIVE TORQUE WRENCH
PRY BAR

RUBBER ISOLATOR REMOVAL DIAGRAM

This technique can be used if and Exhaust Hanger Removal Pliers is not available.

Using a 5/8" open end wrench, slide the wrench up to the rubber isolator, cradling the hanger rod as shown. Next place the flat edge of a pry bar between the wrench and the hanger stop or hanger rod. Then simply rotate the pry bar toward the wrench to remove the rubber isolator.

Note: Using a spray lubricant or soapy water on the hanger rod and the rubber isolator helps removal.



HITCH WEIGHT: 41 LBS.
 INSTALL TIME
 PROFESSIONAL: 15 MINUTES
 NOVICE (DIY): 30 MINUTES
 INSTALL NOTES:
 -NO DRILLING REQUIRED
 -LOWER EXHAUST

INSTALLATION STEPS

- 1.) Lower exhaust by removing rubber isolators on both driver and passenger side of vehicle. (see rubber isolator removal diagram)
- 2.) Raise hitch into position and install 1/2"- 4" hex bolts and CM-SP34, through the frame rails and side plate of hitch, secure with 1/2" hex flange nuts, as shown above.
- 3.) Fishwire 1/2" carriage bolts and CM-SP12 spacers, through the square access hole in the frame rails and secure with hex flange nuts into position as shown above. (see fishwire technique diagram)
- 4.) Torque all 1/2" hardware to 110 lb-ft.
- 5.) Re-install rubber isolators removed in step 1.

PERIODICALLY CHECK THIS RECEIVER HITCH TO ENSURE THAT ALL FASTENERS ARE TIGHT AND THAT ALL STRUCTURAL COMPONENTS ARE SOUND.

Curt Manufacturing Inc., warrants this product to be free of defects in material and/or workmanship at the time of retail purchase by the original purchaser. If the product is found to be defective, Curt Manufacturing Inc., may repair or replace the product, at their option, when the product is returned, prepaid, with proof of purchase. Alteration to, misuse of, or improper installation of this product voids the warranty. Curt Manufacturing Inc.'s liability is limited to repair or replacement of products found to be defective, and specifically excludes liability for incidental or consequential loss or damage.