

11119 / 247119**PONTIAC SOLSTICE AND SATURN SKY**

11/19/2012

WILL NOT FIT GXP OR REDLINE

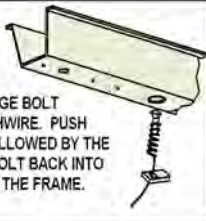
GROSS LOAD CAPACITY WHEN USED AS A WEIGHT CARRYING HITCH: 2,000 LBS. TRAILER WEIGHT & 200 LBS. TONGUE WEIGHT.
*****DO NOT EXCEED VEHICLE MANUFACTURER'S RECOMMENDED TOWING CAPACITY.*****

Parts List

ITEM	QTY	PART NUMBER	DESCRIPTION
1	1	CM-438-FW	7/16" FISHWIRE TOOL
2	4	7/16-14 x 1 1/2	CARRIAGE BOLT
3	4	CM-SP11	.250 x 1.00 x 2.50" SQUARE HOLE SPACER
4	4	7/16-14	LARGE HEX FLANGE NUT

**REVERSE PULL FISHWIRE
TECHNIQUE**

ATTACH FISHWIRE TO CARRIAGE BOLT AND SLIDE SPACER ONTO FISHWIRE. PUSH THE BOLT THRU THE HOLE FOLLOWED BY THE SPACER (AS SHOWN). PULL BOLT BACK INTO POSITION, PROTRUDING FROM THE FRAME.

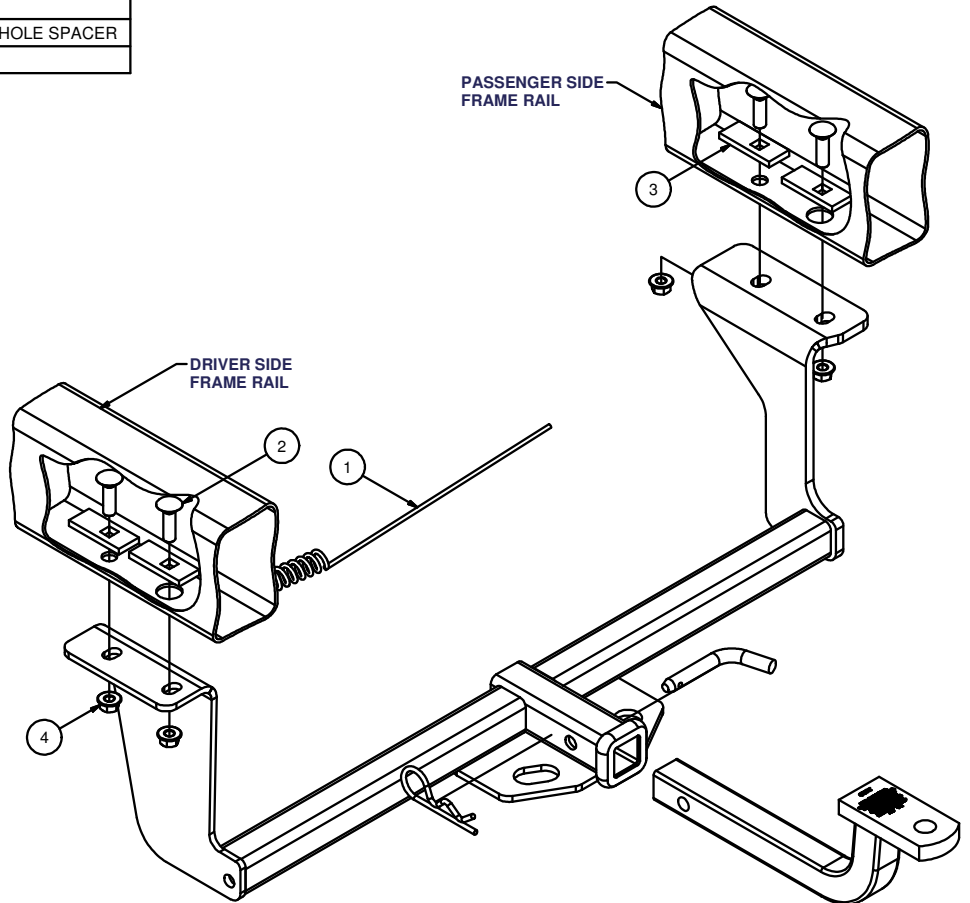
PASSENGER SIDE
FRAME RAIL

3

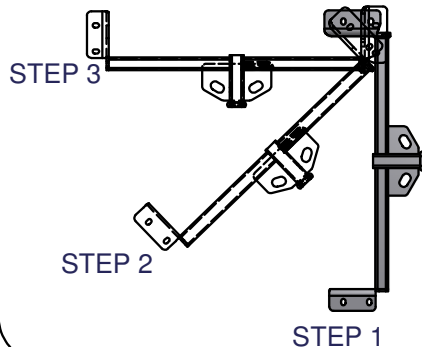
DRIVER SIDE
FRAME RAIL

2

1



HITCH INSTALL RECOMMENDATION
 RAISE PASSENGER SIDE PLATE FLANGE OVER EXHAUST, THEN ROTATE HITCH CLOCKWISE AS SHOWN TO INSTALL WITHOUT LOWERING EXHAUST

HITCH WEIGHT: 38 LBS.INSTALL TIME: 30 MINUTES

INSTALL NOTES:

- NO DRILLING REQUIRED
- FISHWIRING REQUIRED

INSTALLATION STEPS

- 1) Fishwire carriage bolts and spacers into position.
(NOTE: fishwire forwardmost holes using rearward holes, then fishwire remaining fasteners as described above.)
- 2) To install hitch without lower exhaust, the passenger side must be raised first with the flange placed over the exhaust. While raising the hitch, rotate main body clockwise into position. Passenger side plate must be located between the carbon canister and exhaust hanger. Install supplied hex flange nuts.
- 3) Torque all 7/16" fasteners to 70 lb-ft.

PERIODICALLY CHECK THIS RECEIVER HITCH TO ENSURE THAT ALL FASTENERS ARE TIGHT AND THAT ALL STRUCTURAL COMPONENTS ARE SOUND.

Curt Manufacturing Inc., warrants this product to be free of defects in material and/or workmanship at the time of retail purchase by the original purchaser. If the product is found to be defective, Curt Manufacturing Inc., may repair or replace the product, at their option, when the product is returned, prepaid, with proof of purchase. Alteration to, misuse of, or improper installation of this product voids the warranty. Curt Manufacturing Inc.'s liability is limited to repair or replacement of products found to be defective, and specifically excludes liability for incidental or consequential loss or damage.