

**11178****00-04 BMW 3 SERIES CONVERTIBLE****10/19/2012****GROSS LOAD CAPACITY WHEN USED AS A WEIGHT CARRYING HITCH: 2000 LBS. TRAILER WEIGHT & 200 LBS. TONGUE WEIGHT.**

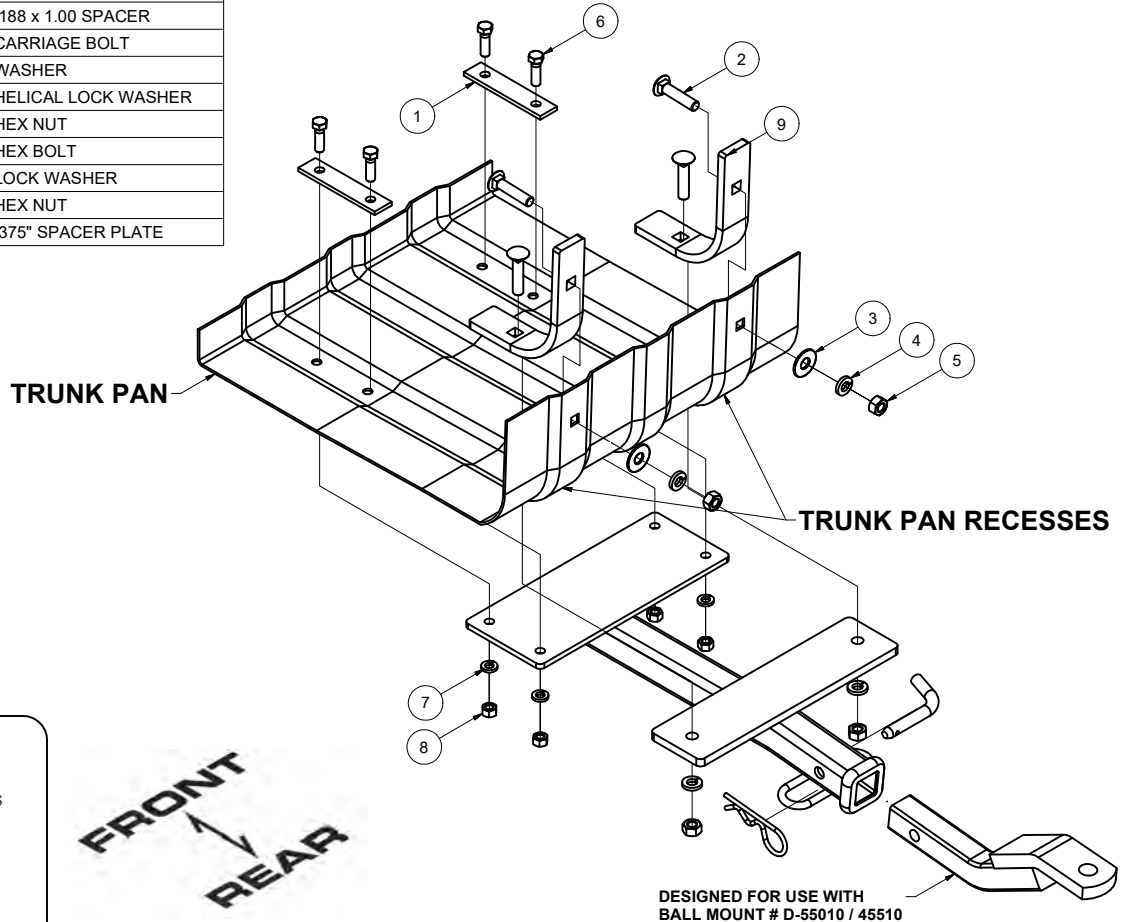
\*\*\*DO NOT EXCEED VEHICLE MANUFACTURER'S RECOMMENDED TOWING CAPACITY.\*\*\*

**WARNING: ALL NON-TRAILER LOADS APPLIED TO THIS PRODUCT MUST BE SUPPORTED BY 18050 STABILIZING STRAPS.**

\*\* FAILURE TO PROPERLY SUPPORT NON-TRAILER LOADS WILL VOID PRODUCT WARRANTY\*\*

**HAVING INSTALLATION QUESTIONS? CALL TECHNICAL SUPPORT AT 1-800-798-0813**

Parts List			
ITEM	QTY	PART NUMBER	DESCRIPTION
1	2	CM-SP109	.188 x 1.00 SPACER
2	4	7/16-14 x 2	CARRIAGE BOLT
3	2	7/16 WASHER	WASHER
4	4	7/16 LOCK WASHER	HELICAL LOCK WASHER
5	4	7/16-14	HEX NUT
6	4	3/8 - 16 x 1 1/4	HEX BOLT
7	4	3/8" LOCK WASHER	LOCK WASHER
8	4	3/8 - 16	HEX NUT
9	2	CM-SP127	.375" SPACER PLATE



HITCH WEIGHT: 23 LBS.

**INSTALL TIME**

PROFESSIONAL: 30 MINUTES

NOVICE (DIY): 60 MINUTES

**INSTALL NOTES:**

- DRILLING REQUIRED

- REMOVE SPARE

- REMOVE TRUNK PAN COVER

**INSTALLATION STEPS**

1. Remove all contents of the trunk, including the spare tire. Remove black plastic cover from under the rear of the car.
2. Place two curved brackets (long side pointing upward) into the recesses in the trunk as shown. Brackets should be 9 3/4" apart on center.
3. Using brackets as a template, mark and drill holes for 7/16" hardware.
4. With brackets in position, insert 7/16" carriage bolts into the holes. Place hitch under the tire well and attach bolts at "A". Install the remaining 7/16" hardware as shown at this time. **DO NOT TIGHTEN**
5. From under the vehicle, use the hitch as a template to drill 4 holes for the 3/8" hardware.
6. Place the CM-11178-BP brackets over the holes inside the trunk and insert the 3/8" bolts.
7. Install the remaining 3/8" flat washers and nuts as shown.
8. Torque all 7/16" hardware to 70 lb-ft and all 3/8" hardware to 45 lb-ft. Use silicone caulk to seal around the drilled holes in the trunk pan. Replace the plastic cover removed earlier and trunk contents.

PERIODICALLY CHECK THIS RECEIVER HITCH TO ENSURE THAT ALL FASTENERS ARE TIGHT AND THAT ALL STRUCTURAL COMPONENTS ARE SOUND.

Curt Manufacturing Inc., warrants this product to be free of defects in material and/or workmanship at the time of retail purchase by the original purchaser. If the product is found to be defective, Curt Manufacturing Inc., may repair or replace the product, at their option, when the product is returned, prepaid, with proof of purchase. Alteration to, misuse of, or improper installation of this product voids the warranty. Curt Manufacturing Inc.'s liability is limited to repair or replacement of products found to be defective, and specifically excludes liability for incidental or consequential loss or damage.

247384