

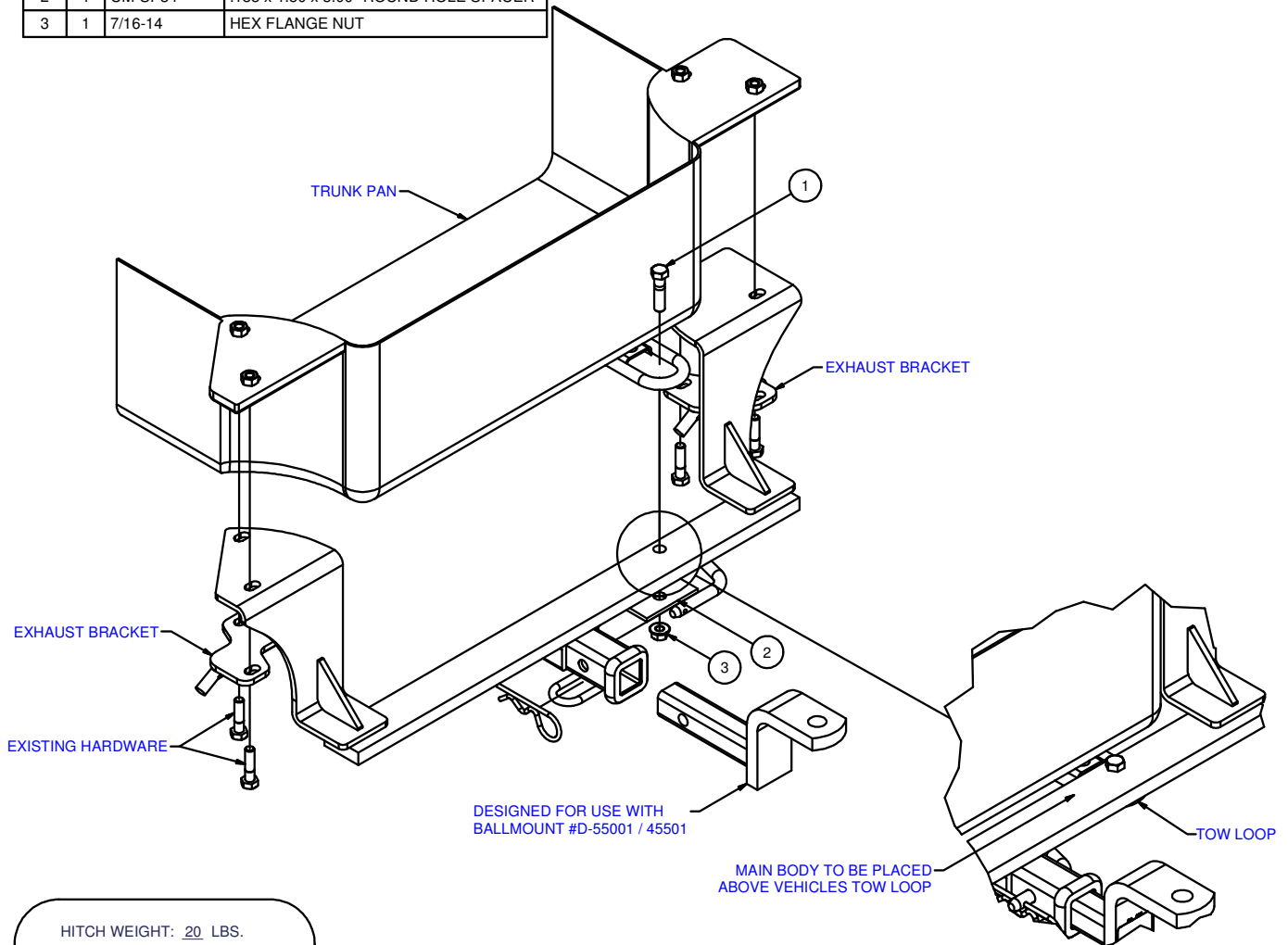
11180

AUDI A4 WAGON

11/19/2012

GROSS LOAD CAPACITY WHEN USED AS A WEIGHT CARRYING HITCH: 2,000 LBS. TRAILER WEIGHT & 200 LBS. TONGUE WEIGHT.
DO NOT EXCEED VEHICLE MANUFACTURER'S RECOMMENDED TOWING CAPACITY.

Parts List			
ITEM	QTY	PART NUMBER	DESCRIPTION
1	1	7/16-14 x 1 3/4	HEX BOLT
2	1	CM-SP34	.188 x 1.50 x 3.00" ROUND HOLE SPACER
3	1	7/16-14	HEX FLANGE NUT



HITCH WEIGHT: 20 LBS.

INSTALL TIME: 30 MINUTES

INSTALL NOTES:

- NO DRILLING REQ.

INSTALLATION STEPS

- 1) Lower exhaust by removing existing hardware securing exhaust brackets on both sides of vehicle.
- 2) Align holes on vehicle with holes in hitch, placing hitch' main body on top of vehicle tow loop.
- 3) Reinstall existing hardware and supplied hardware as shown.
- 4) Torque all existing hardware to 49 lb-ft. and all 7/16" hardware to 70 lb-ft.

PERIODICALLY CHECK THIS RECEIVER HITCH TO ENSURE THAT ALL FASTENERS ARE TIGHT AND THAT ALL STRUCTURAL COMPONENTS ARE SOUND.

Curt Manufacturing Inc., warrants this product to be free of defects in material and/or workmanship at the time of retail purchase by the original purchaser. If the product is found to be defective, Curt Manufacturing Inc., may repair or replace the product, at their option, when the product is returned, prepaid, with proof of purchase. Alteration to, misuse of, or improper installation of this product voids the warranty. Curt Manufacturing Inc.'s liability is limited to repair or replacement of products found to be defective, and specifically excludes liability for incidental or consequential loss or damage.