



Safety glasses should be worn at all times while installing this product.

YEARS: 2011-2013

MAKE: MERCEDES-BENZ

MODEL: E-350

STYLE: WAGON

WARNING: NEVER EXCEED YOUR VEHICLE MANUFACTURER'S RECOMMENDED TOWING CAPACITY

WEIGHT CARRYING:
 TRAILER WEIGHT: 2,000 LBS.
 TONGUE WEIGHT: 200 LBS.

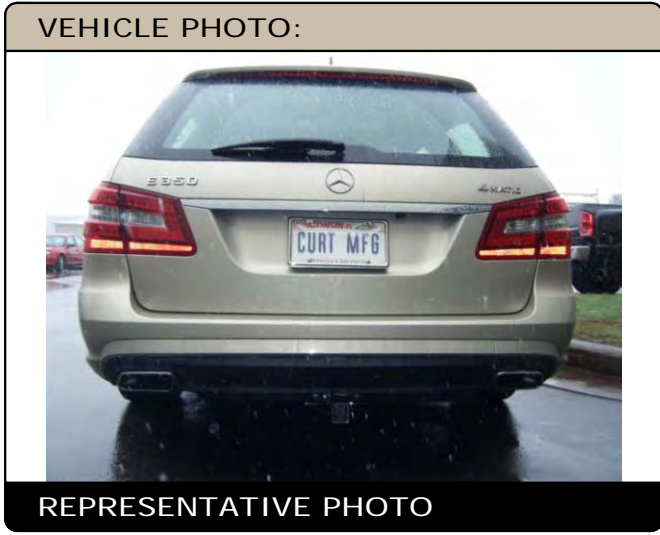
WARNING:
 WE RECOMMEND THE USE OF 18050 STABILIZING STRAPS FOR ALL NON-TRAILER (WHEEL-LESS) LOADS. PLEASE SEE THE CURT CATALOG OR VISIT US ONLINE AT WWW.CURTMFG.COM FOR FURTHER INFORMATION.

INSTALLATION TIME: 30 MIN.

THE INSTALL TIME LISTED IS FOR PROFESSIONAL INSTALLERS. IF YOU ARE HESITANT TO UNDERTAKE THIS TASK ON YOUR OWN, CONTACT AN AUTHORIZED CURT INSTALLER FOR ADDITIONAL ASSISTANCE.

INSTALLATION TIPS:

- BEFORE YOU BEGIN INSTALLATION, READ ALL INSTRUCTIONS THOROUGHLY.
- TO EASE INSTALLATION, 2 PEOPLE MAY BE REQUIRED.
- USING PROPER TOOLS WILL GREATLY IMPROVE THE QUALITY OF THE INSTALL AND REDUCE THE TIME REQUIRED.
- NEED HELP OR HAVE SOME QUESTIONS? CALL TECHNICAL SUPPORT AT 800.798.0813

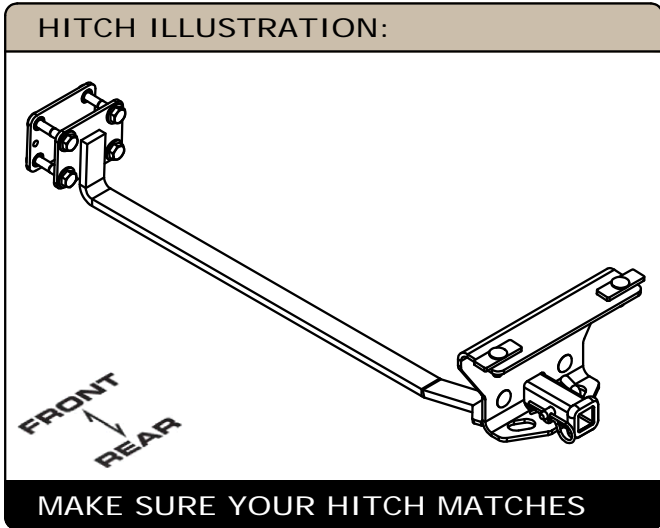


INSTALLATION REQUIRES:

RATCHET	TORQUE WRENCH	9" SOCKET EXTENSION
3/4" SOCKET	POWER DRILL	DRILL BIT 17/32"
CENTER PUNCH	MASKING TAPE	SAFETY GLASSES

LEVEL OF DIFFICULTY: MODERATE

EASY	MODERATE	CHALLENGING
	DRILLING REQUIRED	
	FISHWIRE HARDWARE	



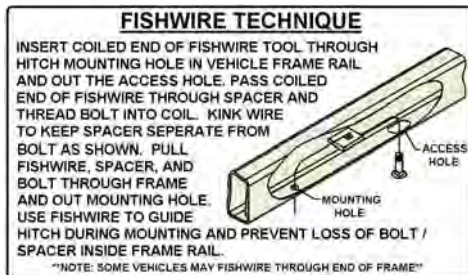
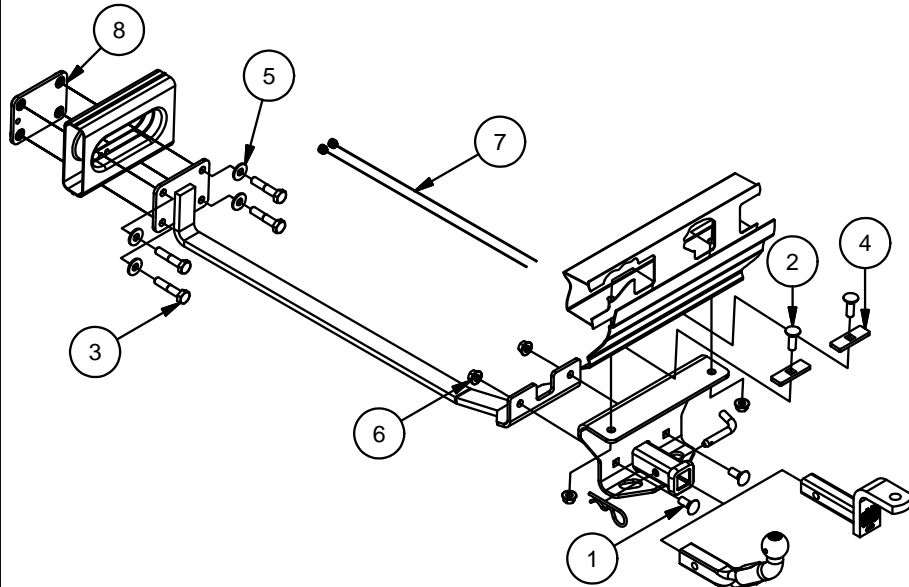
PERIODICALLY CHECK THIS RECEIVER HITCH TO ENSURE ALL FASTENERS ARE TIGHT AND ALL STRUCTURAL COMPONENTS ARE SOUND

CURT Manufacturing LLC. warrants this product to be free of defects in material and/or workmanship at the time of retail purchase by the original purchaser. If the product is found to be defective, Curt Manufacturing LLC. may repair or replace the product at their option, when the product is returned, prepaid, with proof of purchase. Alteration to, misuse of, or improper installation of this product voids the warranty. Curt Manufacturing LLC.'s liability is limited to repair or replacement of products found to be defective, and specifically excludes liability for incidental or consequential loss or damage.

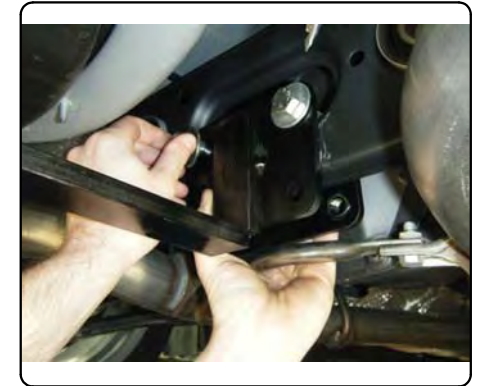
For more information log onto www.curtmfg.com, & for helpful towing tips log onto www.hitchinfo.com

INSTALLATION WALKTHROUGH:

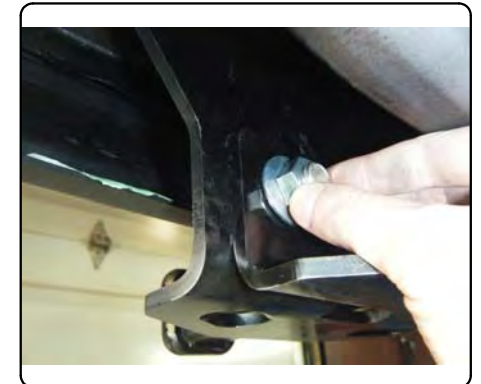
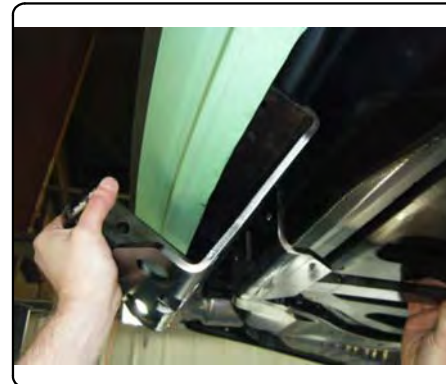
Parts List			
ITEM	QTY	PART NUMBER	DESCRIPTION
1	2	1/2-13 x 1 1/4	CARRIAGE BOLT
2	2	1/2-13 x 1 1/2	CARRIAGE BOLT
3	4	1/2 - 13 x 2 1/2	HEX BOLT
4	2	CM-SP6	.250 x 1.00 x 3.00" SQUARE HOLE SPACER
5	4	1/2"	CONICAL TOOTHED WASHER
6	4	HFN 1213	HEX FLANGE NUT
7	2	1_2 FISHWIRE	1/2" FISHWIRE
8	1	CM-NP1W	NUT PLATE WELDMENT



1. Raise nut plate and mounting strap into position around the vehicle crossmember. Secure using 1/2"-13 x 2 1/2" hex bolts and 1/2" conical toothed washers.

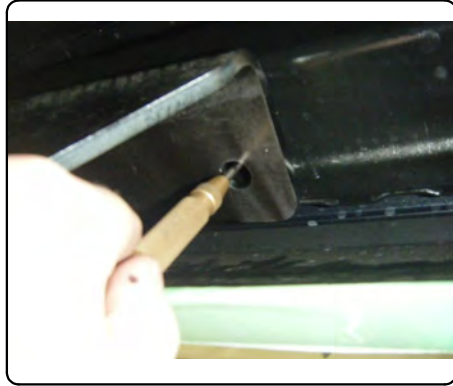
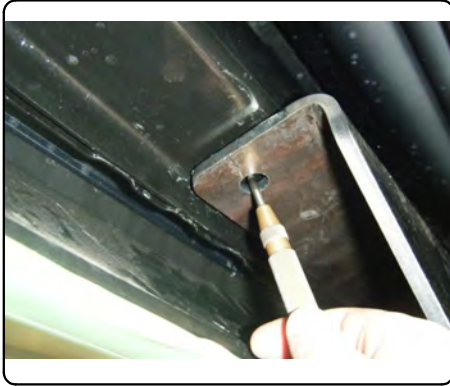


2. Raise hitch past fascia lip and secure to mounting strap using 1/2"-13 x 1 1/4" carriage bolts and 1/2"-13 flange nuts.

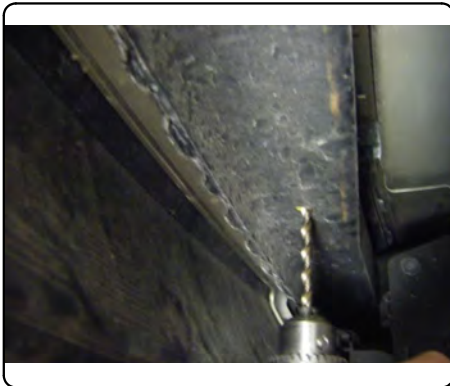


INSTALLATION WALKTHROUGH:

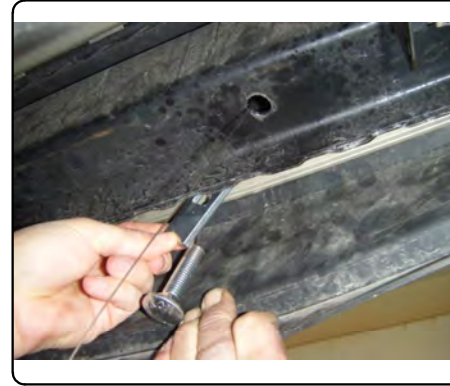
3. Press hitch against the bottom of the bumper beam, using the hitch as a template mark hole locations with a center punch. **Note:** Verify hitch is centered on vehicle.



4. Lower hitch and drill hole locations with 17/32" drill bit.



5. Fishwire 1/2"-13 x 2" carriage bolts and SP6 spacers through the access holes between the fascia and the back of the bumper beam and into holes drilled in STEP 4. (See FISHWIRE TECHNIQUE DIAGRAM on page 2)



6. Raise hitch back into position and secure with 1/2"-13 flange nuts. Torque all 1/2" fasteners to 75 ft-lbs.

Install is complete.



11189**MERCEDES BENZ E-350 WAGON****6/17/2014****GROSS LOAD CAPACITY WHEN USED AS A WEIGHT CARRYING HITCH: 2,000 LBS. TRAILER WEIGHT & 200 LBS. TONGUE WEIGHT.**

DO NOT EXCEED VEHICLE MANUFACTURER'S RECOMMENDED TOWING CAPACITY.

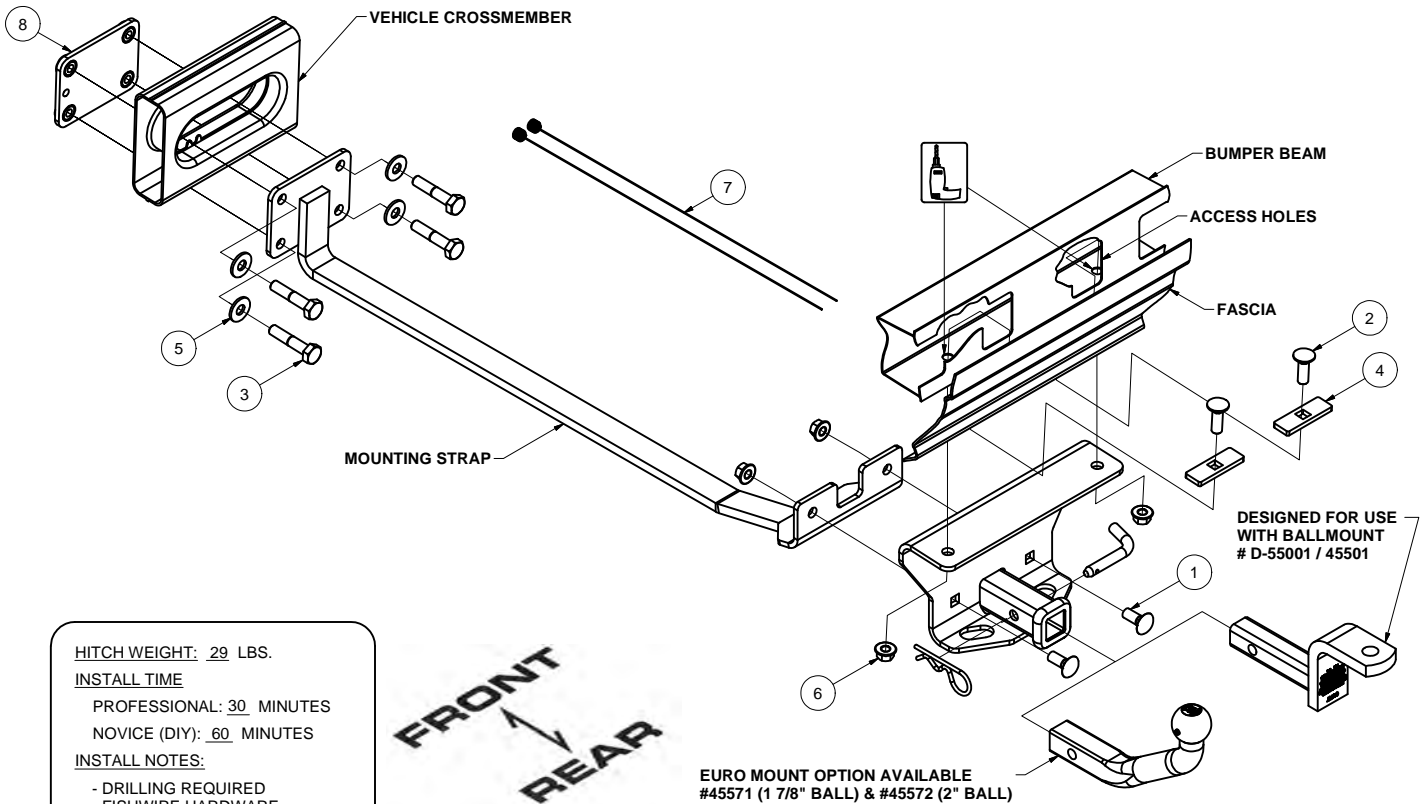
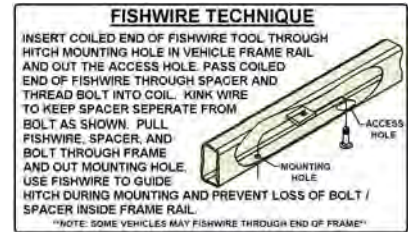
WARNING: ALL NON-TRAILER LOADS APPLIED TO THIS PRODUCT MUST BE SUPPORTED BY 18050 STABILIZING STRAPS.

** FAILURE TO PROPERLY SUPPORT NON-TRAILER LOADS WILL VOID PRODUCT WARRANTY**

HAVING INSTALLATION QUESTIONS? CALL TECHNICAL SUPPORT AT 1-800-798-0813

Parts List			
ITEM	QTY	PART NUMBER	DESCRIPTION
1	2	1/2-13 x 1 1/4	CARRIAGE BOLT
2	2	1/2-13 x 1 1/2	CARRIAGE BOLT
3	4	1/2 - 13 x 2 1/2	HEX BOLT
4	2	CM-SP6	.250 x 1.00 x 3.00" SQUARE HOLE SPACER
5	4	1/2"	CONICAL TOOTHED WASHER
6	4	HFN 1213	HEX FLANGE NUT
7	2	1_2 FISHWIRE	1/2" FISHWIRE
8	1	CM-NP1W	NUT PLATE WELDMENT

TOOLS REQUIRED
RATCHET
RATCHET EXTENSION
3/4" SOCKET
DRILL
17/32" DRILL BIT
CENTER PUNCH
TORQUE WRENCH

**HITCH WEIGHT: 29 LBS.****INSTALL TIME**PROFESSIONAL: 30 MINUTESNOVICE (DIY): 60 MINUTES**INSTALL NOTES:**

- DRILLING REQUIRED
- FISHWIRE HARDWARE

INSTALLATION STEPS

1. Raise nut plate and mounting strap into position around the vehicle crossmember. Secure using 1/2"-13 x 2 1/2" hex bolts and 1/2" conical toothed washers.
2. Raise hitch past fascia lip and secure to mounting strap using 1/2"-13 x 1 1/4" carriage bolts and 1/2"-13 flange nuts.
3. Press hitch against the bottom of the bumper beam, using the hitch as a template mark hole locations with a center punch. **Note:** Verify hitch is centered on vehicle.
4. Lower hitch and drill hole locations with 17/32" drill bit.
5. Fishwire 1/2"-13 x 2" carriage bolts and SP6 spacers through the access holes between the fascia and the back of the bumper beam and into holes drilled in STEP 4. (See FISHWIRE TECHNIQUE DIAGRAM above)
6. Raise hitch back into position and secure with 1/2"-13 flange nuts.
7. Torque all 1/2" fasteners to 75 ft-lbs.

PERIODICALLY CHECK THIS RECEIVER HITCH TO ENSURE THAT ALL FASTENERS ARE TIGHT AND THAT ALL STRUCTURAL COMPONENTS ARE SOUND.

Curt Manufacturing Inc., warrants this product to be free of defects in material and/or workmanship at the time of retail purchase by the original purchaser. If the product is found to be defective, Curt Manufacturing Inc., may repair or replace the product, at their option, when the product is returned, prepaid, with proof of purchase. Alteration to, misuse of, or improper installation of this product voids the warranty. Curt Manufacturing Inc.'s liability is limited to repair or replacement of products found to be defective, and specifically excludes liability for incidental or consequential loss or damage.