

11190

## 01-06 CHRYSLER SEBRING CONVERTIBLE

10/1/2012

GROSS LOAD CAPACITY WHEN USED AS A WEIGHT CARRYING HITCH: 2000 LBS. TRAILER WEIGHT &amp; 200 LBS. TONGUE WEIGHT.

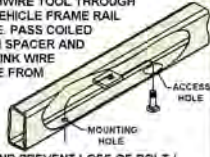
**\*\*\*DO NOT EXCEED VEHICLE MANUFACTURER'S RECOMMENDED TOWING CAPACITY.\*\*\*****WARNING: ALL NON-TRAILER LOADS APPLIED TO THIS PRODUCT MUST BE SUPPORTED BY AUXILIARY STABILIZING STRAPS.****\*\* FAILURE TO PROPERLY SUPPORT NON-TRAILER LOADS WILL VOID PRODUCT WARRANTY\*\***

HAVING INSTALLATION QUESTIONS? CALL TECHNICAL SUPPORT AT 1-800-798-0813

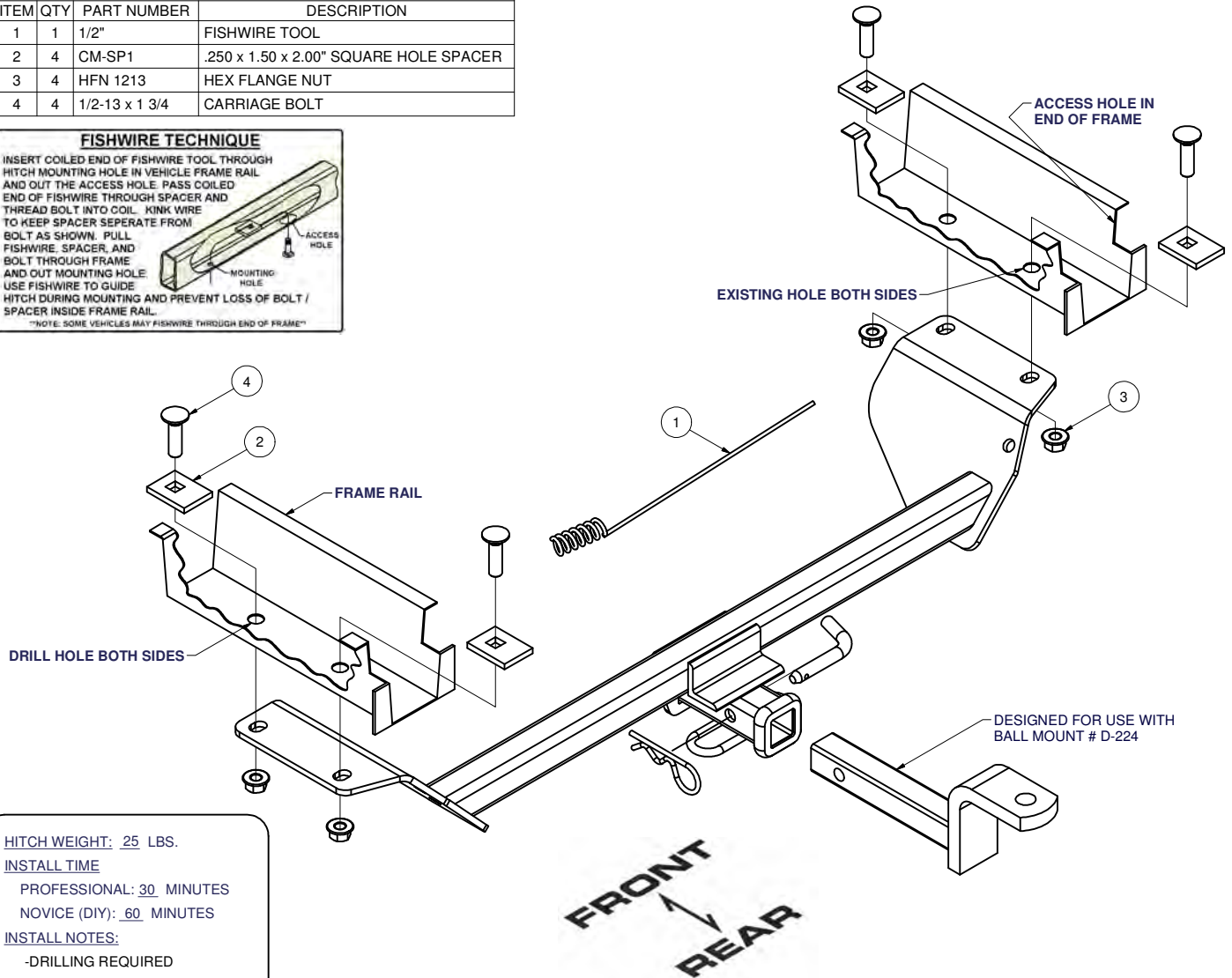
| Parts List |     |                |  |
|------------|-----|----------------|--|
| ITEM       | QTY | PART NUMBER    | DESCRIPTION                            |
| 1          | 1   | 1/2"           | FISHWIRE TOOL                          |
| 2          | 4   | CM-SP1         | .250 x 1.50 x 2.00" SQUARE HOLE SPACER |
| 3          | 4   | HFN 1213       | HEX FLANGE NUT                         |
| 4          | 4   | 1/2-13 x 1 3/4 | CARRIAGE BOLT                          |

**FISHWIRE TECHNIQUE**

INSERT COILED END OF FISHWIRE TOOL THROUGH HITCH MOUNTING HOLE IN VEHICLE FRAME RAIL AND OUT THE ACCESS HOLE. PASS COILED END OF FISHWIRE THROUGH SPACER AND THREAD BOLT INTO COIL. KINK WIRE TO KEEP SPACER SEPARATE FROM BOLT AS SHOWN. PULL FISHWIRE, SPACER, AND BOLT THROUGH FRAME AND OUT MOUNTING HOLE. USE FISHWIRE TO GUIDE HITCH DURING MOUNTING AND PREVENT LOSS OF BOLT / SPACER INSIDE FRAME RAIL.



\*\*\*NOTE: SOME VEHICLES MAY FISHWIRE THROUGH END OF FRAME\*\*\*



HITCH WEIGHT: 25 LBS.

**INSTALL TIME**

PROFESSIONAL: 30 MINUTES

NOVICE (DIY): 60 MINUTES

**INSTALL NOTES:**

-DRILLING REQUIRED

-FISHWIRE HARDWARE

**INSTALLATION STEPS**

- 1) Fishwire blocks and carriage bolts through the access hole in frame rail and into existing holes.
- 2) Raise hitch into position and secure with flange nuts.
- 3) Using forwardmost slot in hitch as a template, drill a 1/2" hole into frame rail, both sides.
- 4) Fishwire remaining blocks & carriage bolts into holes drilled in step 3. Secure with flange nuts.
- 5) Torque all 1/2" fasteners to 110 lb.-ft.

**PERIODICALLY CHECK THIS RECEIVER HITCH TO ENSURE THAT ALL FASTENERS ARE TIGHT AND THAT ALL STRUCTURAL COMPONENTS ARE SOUND.**

Curt Manufacturing Inc., warrants this product to be free of defects in material and/or workmanship at the time of retail purchase by the original purchaser. If the product is found to be defective, Curt Manufacturing Inc., may repair or replace the product, at their option, when the product is returned, prepaid, with proof of purchase. Alteration to, misuse of, or improper installation of this product voids the warranty. Curt Manufacturing Inc.'s liability is limited to repair or replacement of products found to be defective, and specifically excludes liability for incidental or consequential loss or damage.