

11217

89-94 HYUNDAI SONATA

3/21/2013

GROSS LOAD CAPACITY WHEN USED AS A WEIGHT CARRYING HITCH: 2,000 LBS. TRAILER WEIGHT & 200 LBS. TONGUE WEIGHT.

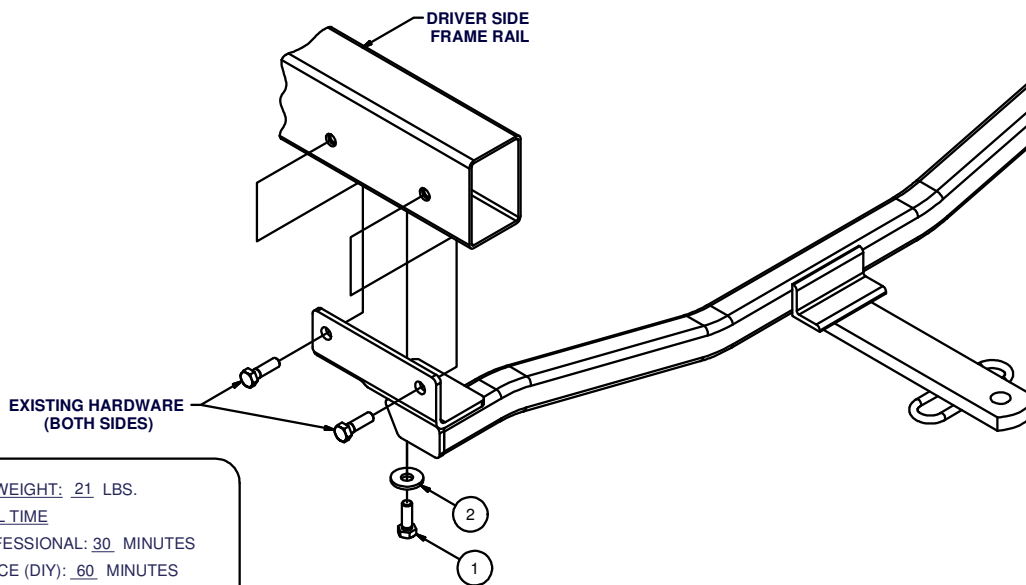
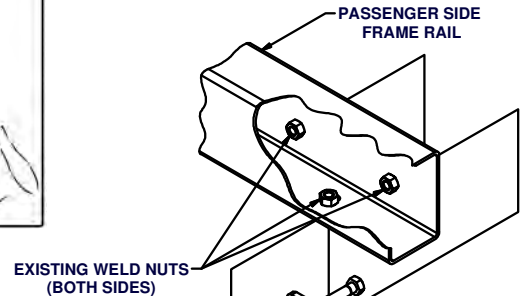
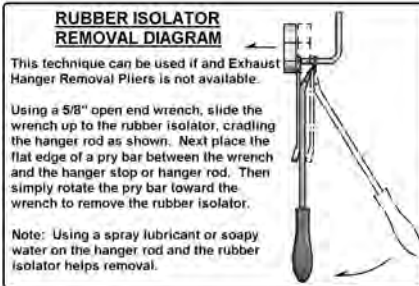
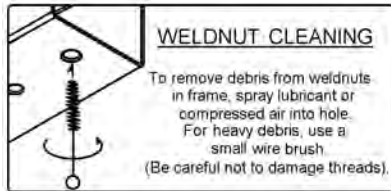
\*\*\*DO NOT EXCEED VEHICLE MANUFACTURER'S RECOMMENDED TOWING CAPACITY.\*\*\*

WARNING: ALL NON-TRAILER LOADS APPLIED TO THIS PRODUCT MUST BE SUPPORTED BY 18050 STABILIZING STRAPS.

\*\* FAILURE TO PROPERLY SUPPORT NON-TRAILER LOADS WILL VOID PRODUCT WARRANTY\*\*

HAVING INSTALLATION QUESTIONS? CALL TECHNICAL SUPPORT AT 1-800-798-0813

Parts List			
ITEM	QTY	PART NUMBER	DESCRIPTION
1	2	M10 - 1.25 x 30	HEX BOLT
2	2	7/16"	CONICAL TOOTHED WASHER



HITCH WEIGHT: 21 LBS.  
INSTALL TIME  
PROFESSIONAL: 30 MINUTES  
NOVICE (DIY): 60 MINUTES  
INSTALL NOTES:  
- NO DRILLING REQUIRED  
- REMOVE EXISTING HARDWARE  
- LOWER EXHAUST

**INSTALLATION STEPS**

1. Underneath the rear of the vehicle, locate the left and right frame rails in line with the rear bumper brackets. Remove the (3) bolt/washer assemblies retaining the bumper to the frame rails on each side. Return only (2) of these bolt/washers assemblies to the vehicles owner for reinstallation should the hitch ever be removed. To ease installation, temporarily remove the rearmost exhaust hanger.
2. Lift and support the hitch in place on the frame rails. Holes in the hitch end brackets should line up with the existing weldnuts where bolts were removed. Fasten the hitch using existing fasteners as shown. Install supplied fasteners in the bottom of the frame rails as shown.
3. Torque all 10mm fasteners to 48 lb-ft.

**PERIODICALLY CHECK THIS RECEIVER HITCH TO ENSURE THAT ALL FASTENERS ARE TIGHT AND THAT ALL STRUCTURAL COMPONENTS ARE SOUND.**

Curt Manufacturing Inc., warrants this product to be free of defects in material and/or workmanship at the time of retail purchase by the original purchaser. If the product is found to be defective, Curt Manufacturing Inc., may repair or replace the product, at their option, when the product is returned, prepaid, with proof of purchase. Alteration to, misuse of, or improper installation of this product voids the warranty. Curt Manufacturing Inc.'s liability is limited to repair or replacement of products found to be defective, and specifically excludes liability for incidental or consequential loss or damage.