



Safety glasses should be worn at all times while installing this product.

YEARS: 2011-CURRENT

MAKE: CHEVROLET

MODEL: VOLT

STYLE: SEDAN

WARNING: NEVER EXCEED YOUR VEHICLE MANUFACTURER'S RECOMMENDED TOWING CAPACITY

WEIGHT CARRYING:
 TRAILER WEIGHT: 1,000 LBS.
 TONGUE WEIGHT: 100 LBS.

WARNING:
 WE RECOMMEND THE USE OF 18050 STABILIZING STRAPS FOR ALL NON-TRAILER (WHEEL-LESS) LOADS. PLEASE SEE THE CURT CATALOG OR VISIT US ONLINE AT WWW.CURTMFG.COM FOR FURTHER INFORMATION.

INSTALLATION TIME: 45 MIN.

THE INSTALL TIME LISTED IS FOR PROFESSIONAL INSTALLERS. IF YOU ARE HESITANT TO UNDERTAKE THIS TASK ON YOUR OWN, CONTACT AN AUTHORIZED CURT INSTALLER FOR ADDITIONAL ASSISTANCE.

INSTALLATION REQUIRES:

AVIATION SHEARS	PRY BAR	T-15 TORXBIT SOCKET
7mm 10mm 17mm 3/4" SOCKET	TORQUE WRENCH	RATCHET
SAFETY GLASSES	POWER DRILL	DRILL BIT 17/32"

INSTALLATION TIPS:

- BEFORE YOU BEGIN INSTALLATION, READ ALL INSTRUCTIONS THOROUGHLY.
- TO EASE INSTALLATION, 2 PEOPLE MAY BE REQUIRED.
- USING PROPER TOOLS WILL GREATLY IMPROVE THE QUALITY OF THE INSTALL AND REDUCE THE TIME REQUIRED.
- NEED HELP OR HAVE SOME QUESTIONS? CALL TECHNICAL SUPPORT AT 800.798.0813

LEVEL OF DIFFICULTY: MODERATE

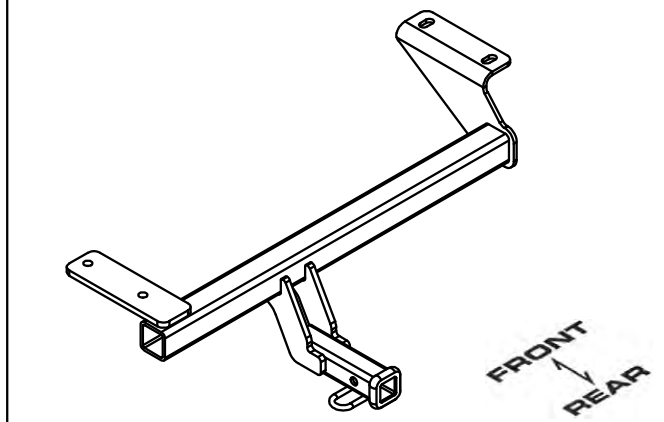
EASY	MODERATE	CHALLENGING
	DRILLING REQUIRED	
	UNDERBODY PANEL TRIMMING REQUIRED	
	CLEAN EXISTING WELD NUTS	
	REMOVE, TRIM AND REPLACE UNDERBODY PANEL	

VEHICLE PHOTO:



REPRESENTATIVE PHOTO

HITCH ILLUSTRATION:



MAKE SURE YOUR HITCH MATCHES

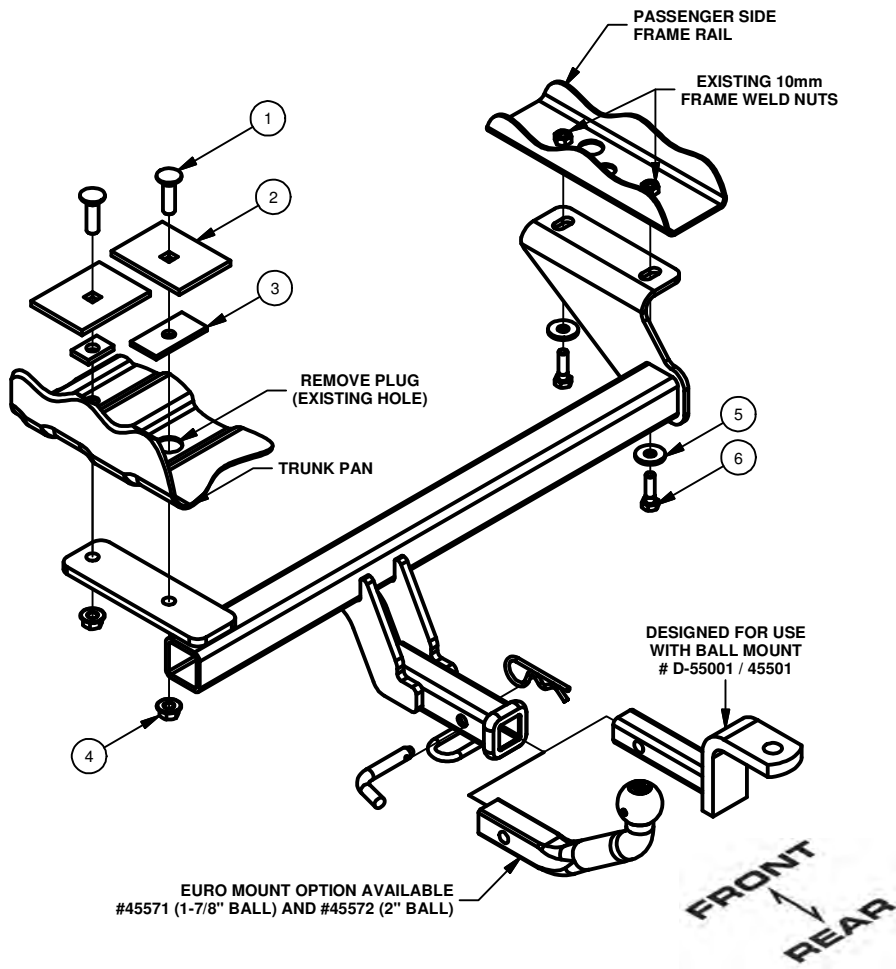
PERIODICALLY CHECK THIS RECEIVER HITCH TO ENSURE ALL FASTENERS ARE TIGHT AND ALL STRUCTURAL COMPONENTS ARE SOUND

CURT Manufacturing LLC. warrants this product to be free of defects in material and/or workmanship at the time of retail purchase by the original purchaser. If the product is found to be defective, Curt Manufacturing LLC. may repair or replace the product at their option, when the product is returned, prepaid, with proof of purchase. Alteration to, misuse of, or improper installation of this product voids the warranty. Curt Manufacturing LLC.'s liability is limited to repair or replacement of products found to be defective, and specifically excludes liability for incidental or consequential loss or damage.

For more information log onto www.curtmfg.com, & for helpful towing tips log onto www.hitchinfo.com

INSTALLATION WALKTHROUGH:

Parts List			
ITEM	QTY	PART NUMBER	DESCRIPTION
1	2	1/2-13 x 1 3/4	CARRIAGE BOLT
2	2	CM-SP28	.250 x 3.00 x 4.00" SQUARE HOLE SPACER
3	1	CM-SP34	.188 x 1.50 x 3.00" ROUND HOLE SPACER
4	2	HFN 1213	HEX FLANGE NUT
5	2	7/16"	CONICAL TOOTHED WASHER
6	2	M10 - 1.5 x 25mm	HEX BOLT
7	1	CM-SP50	.250 x 1.00 x 1.50" ROUND HOLE SPACER



1. Clear contents from trunk and remove the plastic trunk pan insert by removing (4) 10mm nuts.



2. Remove the underbody panel by removing (8) 7mm hex head screws, (2) T-15 button head Torx screws, and (1) plastic body panel fastener.

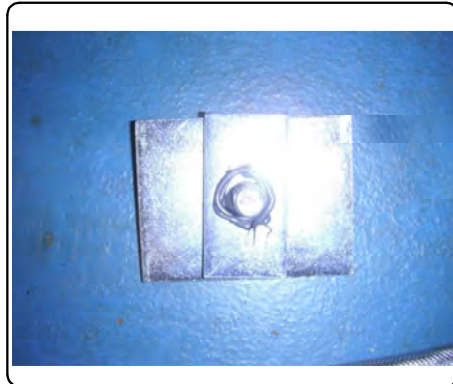
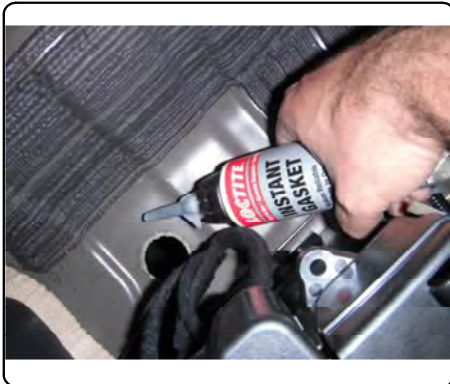


INSTALLATION WALKTHROUGH:

3. The steel trunk pan, main battery and audio battery should be visible. Locate the 1 3/8" plug in the bottom of the trunk pan and carefully remove. Return plug to owner for future use. Measure 4 1/2" toward the front of the vehicle and drill a hole in the trunk pan for the other 1/2" fastener.



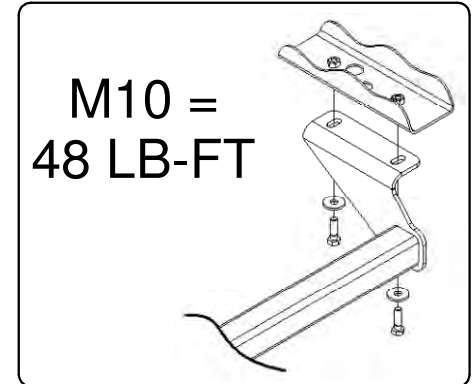
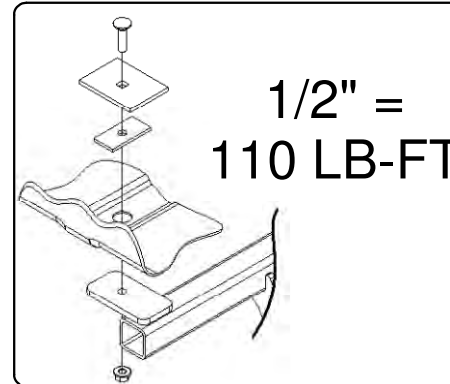
4. Using silicone caulk, place a 1/4" bead around the holes in the trunk pan, on the (2) CM-SP34, (1) CM-SP28, and (1) CM-SP50 spacers. Place the spacers in the trunk directly center over the trunk pan holes. Place the (2) 1/2" carriage bolts into the spacers.



5. Raise hitch into position onto carriage bolts installed in step 4 being careful not to push the bolts back into the trunk. Loosely install the (2) 1/2" hex flange nuts and the (2) M10 hex bolts with (2) conical tooth washers shown on sheet 2.

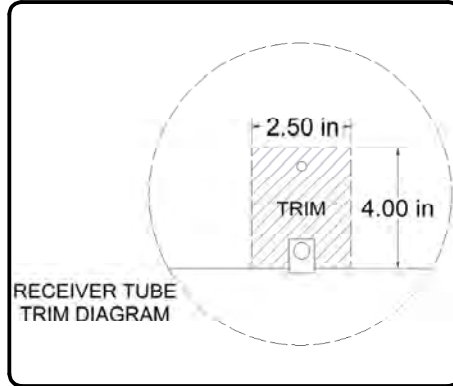


6. Torque all M10 bolts to 48 lb-ft and all 1/2" fasteners to 110 lb-ft.

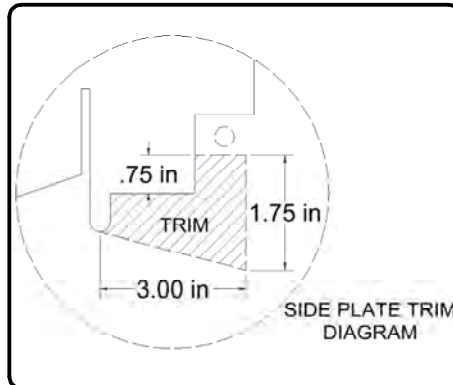


INSTALLATION WALKTHROUGH:

7. Trim a 2 1/2" x 4" square hole from the center of the underbody panel (Receiver tube trim diagram shown below).



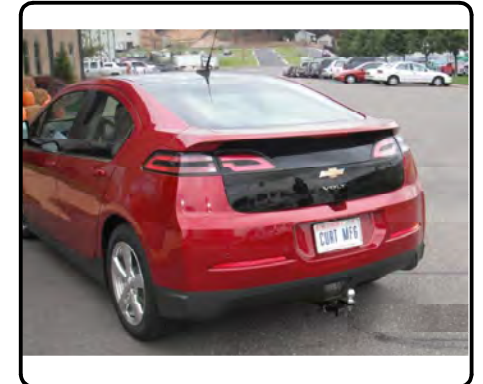
8. Notch the front of the underbody panel (side plate trim diagram shown below) for side plate clearance.



9. Re-install the underbody panel and the plastic trunk pan insert. Place contents removed in step 1 back into the trunk.



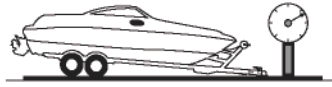
Installation is finished



TOWING SAFETY INFORMATION

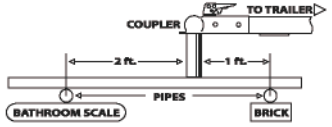
Gross Trailer Weight / GTW

The Gross Trailer Weight is the weight of the trailer & cargo. Measure this by putting the fully loaded trailer on a vehicle scale.



Tongue Weight / TW

The downward force that is exerted on the hitch ball by the coupler. The tongue weight will vary depending on where the load is positioned in relationship to the trailer axle(s). To measure the tongue weight, use either a commercial scale or a bathroom scale with the coupler at towing height. When using a bathroom scale with heavier tongue weights, use the method shown and multiply the scale reading by 3.



Weight Carrying / WC

The total weight of both the trailer and the cargo inside. Never exceed the weight capacity of your trailer hitch.

Weight Distribution / WD

Used to balance the weight of the cargo between the front and rear wheels throughout the trailer, allowing for better steering, braking, and level riding.



Sway Control

A device used to reduce the lateral movements of the trailer that are caused by the wind. This works in conjunction with a weight distribution hitch. Do not use this on a class 1 or 2 hitch, or with surge brakes.

How Much Can You Safely Tow?

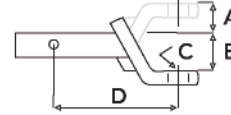
TONGUE WEIGHT lbs	1000	2000	3000	4000	5000	6000	7000	8000	10,000	12,000
Tongue weight should be about 10 to 15 percent of the gross trailer weight.										
TRAILER TYPE	CLASS 1									
	CLASS 2									
	CLASS 3									
	CLASS 4									
	CLASS 5									
Camper	11'	12'	13'	14'	15'	16'				
lbs	1100	1200	1300	1400	1500	1600				
Vacation	14'	16'	18'	20'	22'	24'	26'	28'	30'	32'
lbs	2100	2400	2700	3000	3300	3600	3900	4200	4500	4800
Vacation	14'	16'	18'	20'	22'	24'	26'	28'	30'	32'
lbs	2800	3200	3600	4000	4400	4800	5200	5600	6000	6400
5th Wheel										

Refer to owner's manual for towing capabilities and limitations.

Ball Mount

The ball mount is placed inside the opening of the receiver hitch which is mounted to the vehicle. Make sure a hitch pin and clip is properly securing the ball mount to the receiver hitch before you begin towing.

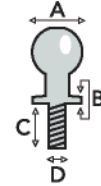
- A: Rise. B: Drop. C: Hole Size. D: Length.



Trailer Ball

The connection from the hitch to the trailer. There are many factors that determine the correct hitch ball:

- Number one is the hitch ball's gross trailer weight rating.
- The mounting platform must be at least 3/8" thick.
- The hole diameter must not be more than 1/16" larger than the threaded shank.
- Every time you tow, check the nut and lock washer to make sure they are fastened securely.
- A: Ball Dia. B: Shank Dia. C: Shank Length. D: Shank Rise.



Coupler

The component that is placed over the trailer ball to connect the vehicle to the trailer. Be sure that the coupler size matches the size of the hitch ball and that the coupler handle is securely fastened. To determine what size hitch ball you need for your application you will need to know the size of coupler that is on the trailer. Be sure your coupler is properly adjusted to the ball you are using.

NOTE: For added security the use of safety devices such as Coupler Safety Pins and Locks is strongly recommended.

Safety Chains

Safety chains are a requirement and should be crossed under the tongue of the trailer so that the tongue will not drop to the road if it becomes separated from the hitch. Always leave enough slack so you can turn. Never allow the safety chains to drag on the ground and never attach the chains to the bumper.

Trailer Classification: Safety Chain Breaking Force - Minimum

Class 1: 2,000 lbs. (8.9 kN)

Class 2: 3,500 lbs. (15.6 kN)

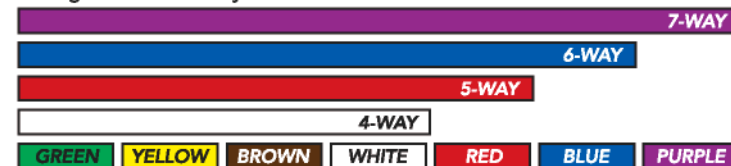
Class 3: 5,000 lbs. (22.2 kN)

The strength rating of each length of safety chain or its equivalent and its attachments shall be equal to or exceed in minimum breaking force the GVWR (Gross Vehicle Weight Rating) of the trailer.

Electrical

Trailer lights, Electric Brakes, Break-away systems - Every time you tow, be sure to check that all components are working properly.

Wiring identification by color:



GROSS LOAD CAPACITY WHEN USED AS A WEIGHT CARRYING HITCH: 1,000 LBS. TRAILER WEIGHT & 100 LBS. TONGUE WEIGHT.

DO NOT EXCEED VEHICLE MANUFACTURER'S RECOMMENDED TOWING CAPACITY.

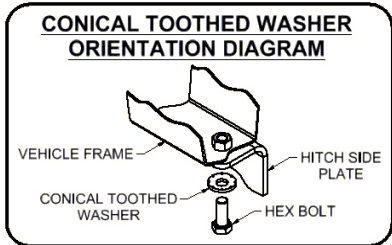
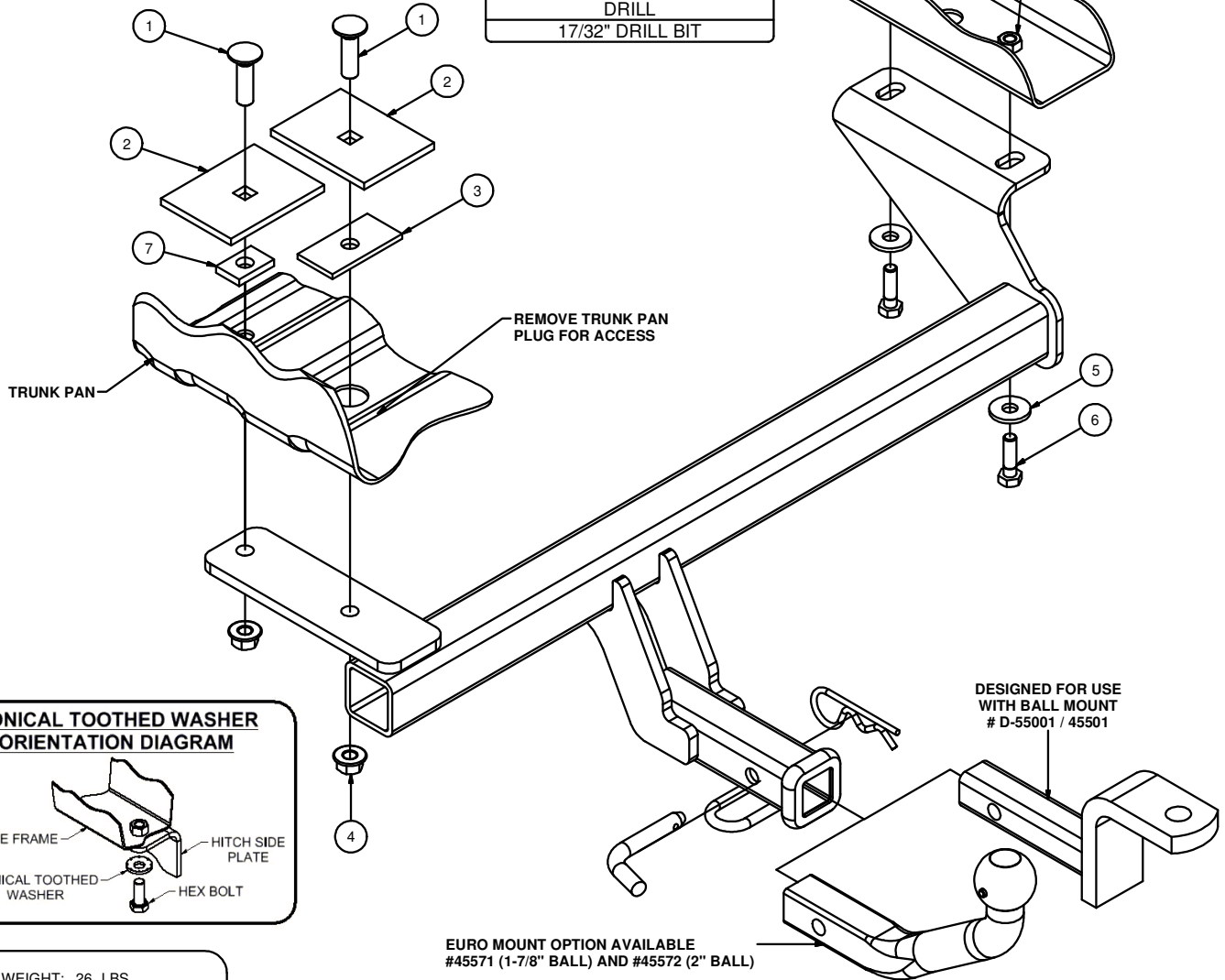
WARNING: ALL NON-TRAILER LOADS APPLIED TO THIS PRODUCT MUST BE SUPPORTED BY 18050 STABILIZING STRAPS.

** FAILURE TO PROPERLY SUPPORT NON-TRAILER LOADS WILL VOID PRODUCT WARRANTY**

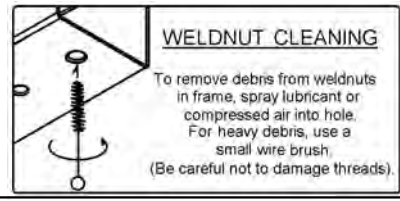
HAVING INSTALLATION QUESTIONS? CALL TECHNICAL SUPPORT AT 1-800-798-0813

Parts List			
ITEM	QTY	PART NUMBER	DESCRIPTION
1	2	1/2-13 x 1 3/4	CARRIAGE BOLT
2	2	CM-SP28	.250 x 3.00 x 4.00" SQUARE HOLE SPACER
3	1	CM-SP34	.188 x 1.50 x 3.00" ROUND HOLE SPACER
4	2	HFN 1213	HEX FLANGE NUT
5	2	7/16"	CONICAL TOOTHED WASHER
6	2	M10 - 1.5 x 25mm	HEX BOLT
7	1	CM-SP50	.250 x 1.00 x 1.50" ROUND HOLE SPACER

TOOLS REQUIRED
SILICONE CAULK
KNIFE
SCREW DRIVER / PRY BAR
RATCHET
TORQUE WRENCH
T-15 TORX BIT
7mm SOCKET
10mm SOCKET
17mm SOCKET
3/4" SOCKET
DRILL
17/32" DRILL BIT



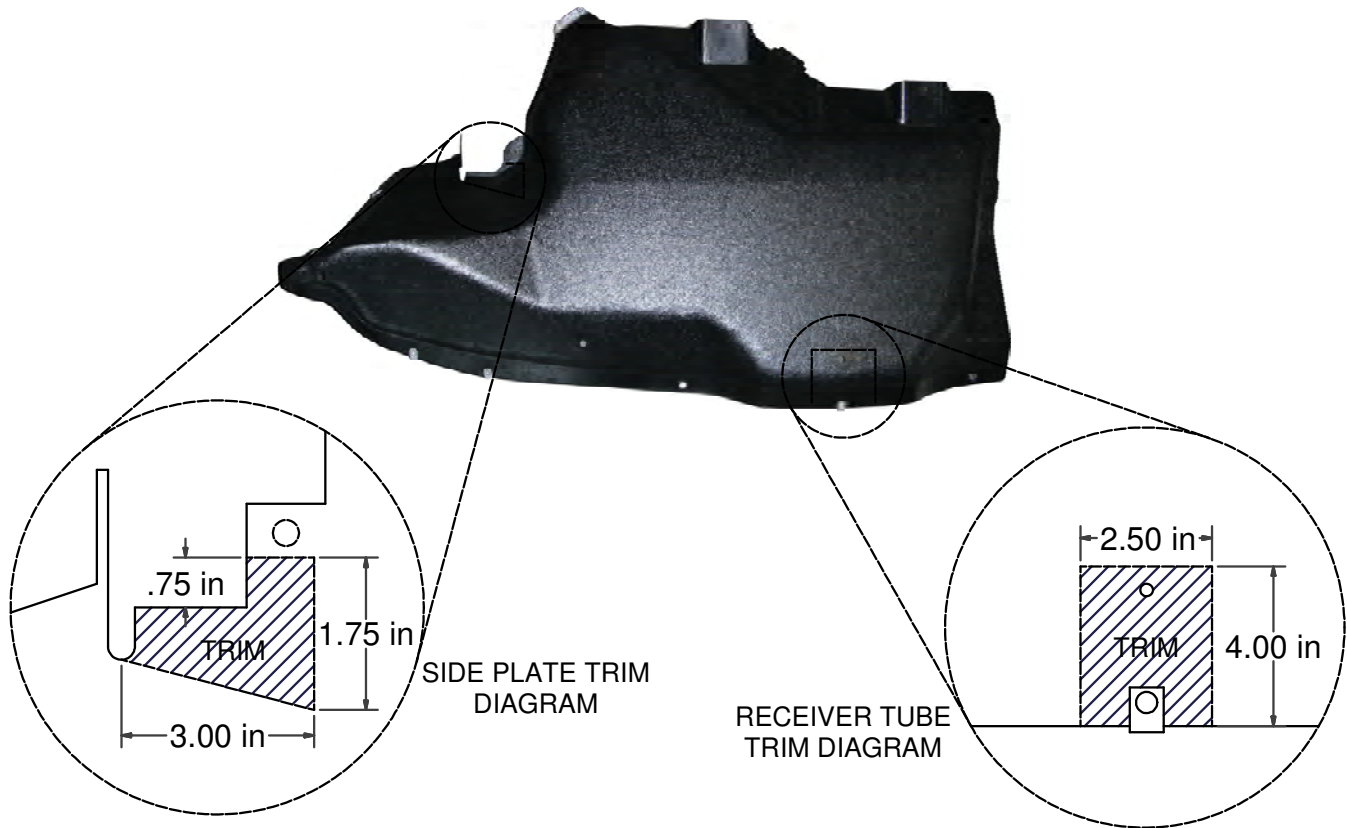
HITCH WEIGHT: 26 LBS.
INSTALL TIME
 PROFESSIONAL: 45 MINUTES
 NOVICE (DIY): 90 MINUTES
INSTALL NOTES:
 - UNDERBODY PANEL TRIMMING REQUIRED
 - REMOVE TRUNK PLUG
 - DRILLING REQUIRED



PERIODICALLY CHECK THIS RECEIVER HITCH TO ENSURE THAT ALL FASTENERS ARE TIGHT AND THAT ALL STRUCTURAL COMPONENTS ARE SOUND.

Curt Manufacturing LLC., warrants this product to be free of defects in material and/or workmanship at the time of retail purchase by the original purchaser. If the product is found to be defective, Curt Manufacturing LLC., may repair or replace the product, at their option, when the product is returned, prepaid, with proof of purchase. Alteration to, misuse of, or improper installation of this product voids the warranty. Curt Manufacturing LLC.'s liability is limited to repair or replacement of products found to be defective, and specifically excludes liability for incidental or consequential loss or damage.

UNDERBODY PANEL

**INSTALLATION STEPS**

1. Clear contents from trunk and remove the plastic trunk pan insert by removing (4) 10mm nuts. The steel trunk pan, main battery and audio battery should be visible.
2. Remove the underbody panel by removing (8) 7mm hex head screws, (2) T-15 button head Torx screws, and (1) plastic body panel fastener.
3. Locate the 1 3/8" plug in the bottom of the trunk pan and carefully remove. Return plug to owner for future use. Measure 4 1/2" toward the front of the vehicle and drill a hole in the trunk pan for the other 1/2" fastener.
4. Using silicone caulk, place a 1/4" bead around the holes in the trunk pan, on the (2) CM-SP34, (1) CM-SP28, and (1) CM-SP50 spacers. Place the spacers in the trunk directly center over the trunk pan holes. Place the (2) 1/2" carriage bolts into the spacers.
5. Raise hitch into position onto carriage bolts installed in step 4 being careful not to push the carriage bolts back into the trunk. Loosely install the (2) 1/2" hex flange nuts and the (2) M10 hex bolts with (2) conical tooth washers shown on sheet 1.
6. Torque all M10 bolts to 48 lb-ft and all 1/2" fasteners to 110 lb-ft.
7. Trim a 2 1/2" x 4" square hole from the center of the underbody panel (Receiver tube trim diagram shown above). Notch the front of the underbody panel (side plate trim diagram shown above) for side plate clearance.
8. Re-install the underbody panel and the plastic trunk pan insert. Place contents removed in step 1 back into the trunk.

PERIODICALLY CHECK THIS RECEIVER HITCH TO ENSURE THAT ALL FASTENERS ARE TIGHT AND THAT ALL STRUCTURAL COMPONENTS ARE SOUND.