

1122386-91 CAMRY SEDAN, WAGON, & ALLTRAC / 89-92 TOYOTA COROLLA WAGON 2WD
90-92 TOYOTA SUPRA HATCHBACK / 86-89 TOYOTA CELICA HATCHBACK
90-91 LEXUS ES 250

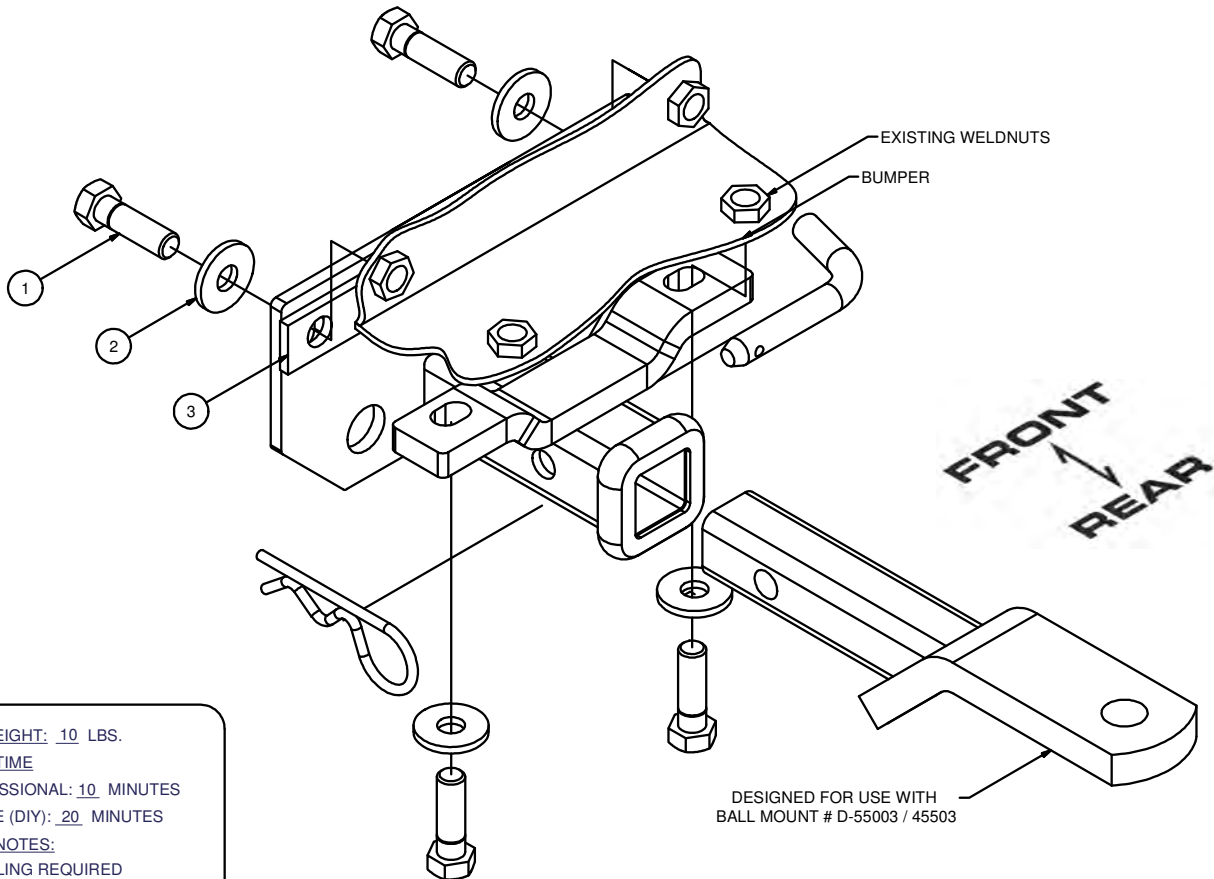
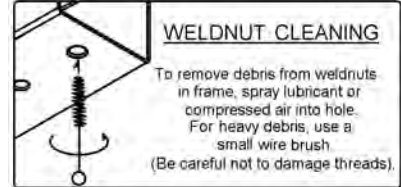
10/19/2012

GROSS LOAD CAPACITY WHEN USED AS A WEIGHT CARRYING HITCH: 2,000 LBS. TRAILER WEIGHT & 200 LBS. TONGUE WEIGHT.

*****DO NOT EXCEED VEHICLE MANUFACTURER'S RECOMMENDED TOWING CAPACITY.*******WARNING: ALL NON-TRAILER LOADS APPLIED TO THIS PRODUCT MUST BE SUPPORTED BY AUXILIARY STABILIZING STRAPS.****** FAILURE TO PROPERLY SUPPORT NON-TRAILER LOADS WILL VOID PRODUCT WARRANTY****

HAVING INSTALLATION QUESTIONS? CALL TECHNICAL SUPPORT AT 1-800-798-0813

Parts List			
ITEM	QTY	PART NUMBER	DESCRIPTION
1	4	M12 - 1.25 x 40 HEX	HEX BOLT
2	4	7/16"	CONICAL TOOTHED WASHER
3	1	CM-SP134	.188" SPACER



HITCH WEIGHT: 10 LBS.

INSTALL TIME

PROFESSIONAL: 10 MINUTES

NOVICE (DIY): 20 MINUTES

INSTALL NOTES:

-NO DRILLING REQUIRED

-FASCIA TRIMMING REQUIRED

INSTALLATION STEPS

1. Position hitch on rear bumper so mounting plate holes line up with existing weldnuts in bumper. At bottom of bumper mark retainer strip and plastic fascia around hitch bumper bracket. This area must be cleared for bracket to fit directly against metal bumper beam. The retainer strip is generally removed from bumper for cutting and the plastic fascia trimmed with a sharp utility knife. Use a 10mm wrench to remove retainer strip. Replace retainer strip to either side of hitch.
2. Hitch should now align with existing weldnuts located in bumper. Install all fasteners as shown. Use reinforcement plate as shown on some models.
3. Torque all hardware to 86 lb.-ft.

PERIODICALLY CHECK THIS RECEIVER HITCH TO ENSURE THAT ALL FASTENERS ARE TIGHT AND THAT ALL STRUCTURAL COMPONENTS ARE SOUND.

Curt Manufacturing Inc., warrants this product to be free of defects in material and/or workmanship at the time of retail purchase by the original purchaser. If the product is found to be defective, Curt Manufacturing Inc., may repair or replace the product, at their option, when the product is returned, prepaid, with proof of purchase. Alteration to, misuse of, or improper installation of this product voids the warranty. Curt Manufacturing Inc.'s liability is limited to repair or replacement of products found to be defective, and specifically excludes liability for incidental or consequential loss or damage.