

112271989-92 GEO PRIZM HATCHBACK & SEDAN, 1987-92 TOYOTA COROLLA,
1990-99 TOYOTA CELICA FWD, 1987-88 TOYOTA COROLLA WAGON 2WD,
1988-92 TOYOTA COROLLA WAGON 4WD, 1987-90 TOYOTA TERCEL, 1990-94 LEXUS LS400

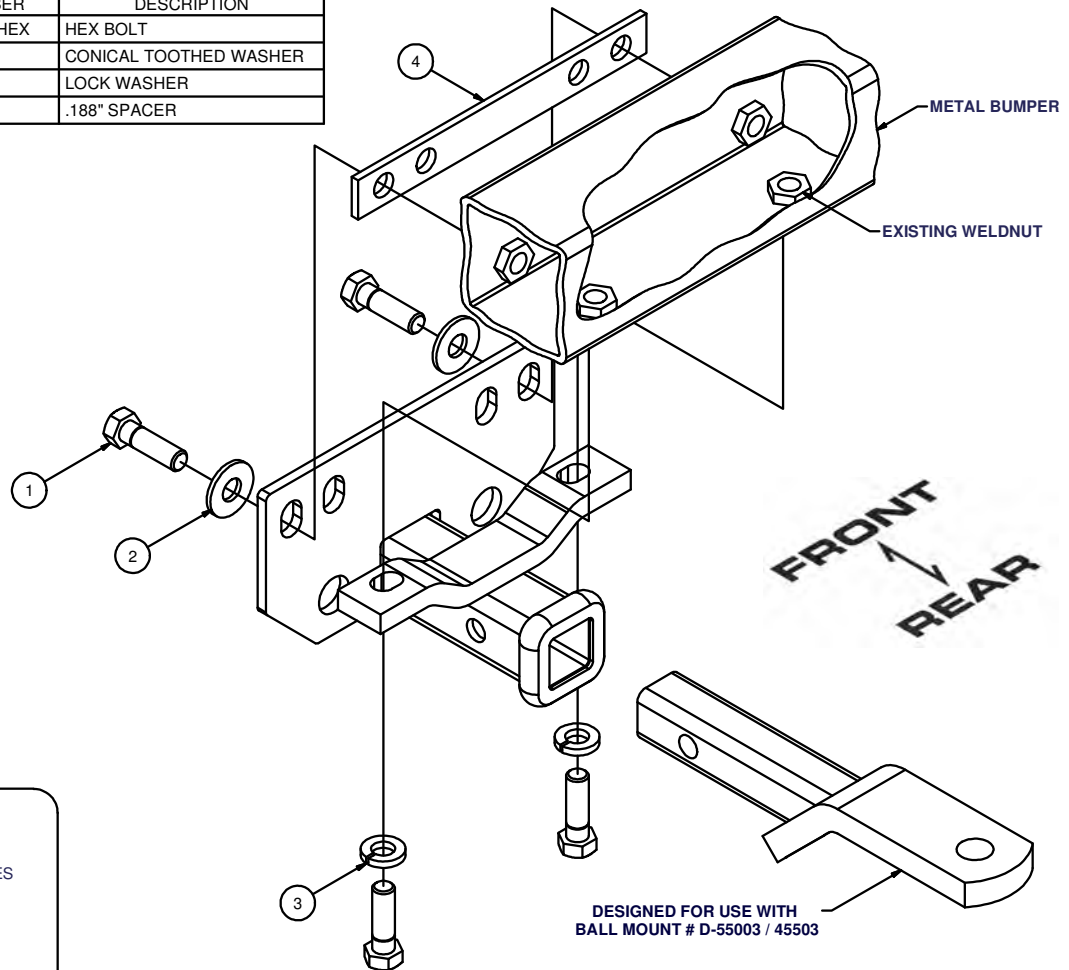
10/8/2012

GROSS LOAD CAPACITY WHEN USED AS A WEIGHT CARRYING HITCH: 2,000 LBS. TRAILER WEIGHT & 200 LBS. TONGUE WEIGHT.

*****DO NOT EXCEED VEHICLE MANUFACTURER'S RECOMMENDED TOWING CAPACITY.*******WARNING: ALL NON-TRAILER LOADS APPLIED TO THIS PRODUCT MUST BE SUPPORTED BY AUXILIARY STABILIZING STRAPS.****** FAILURE TO PROPERLY SUPPORT NON-TRAILER LOADS WILL VOID PRODUCT WARRANTY****

HAVING INSTALLATION QUESTIONS? CALL TECHNICAL SUPPORT AT 1-800-798-0813

Parts List			
ITEM	QTY	PART NUMBER	DESCRIPTION
1	4	M12 - 1.25 x 40 HEX	HEX BOLT
2	2	1/2"	CONICAL TOOTHED WASHER
3	2	1/2"	LOCK WASHER
4	1	CM-SP134	.188" SPACER



HITCH WEIGHT: 11 LBS.

INSTALL TIME

PROFESSIONAL: 10 MINUTES

NOVICE (DIY): 20 MINUTES

INSTALL NOTES:

NO DRILLING REQUIRED

INSTALLATION STEPS

- TOYOTA AND PRIZM MODELS ONLY:** Position hitch on rear bumper so front bracket holes align with two 12mm threaded weld nuts in front face of metal bumper. At bottom of bumper mark metal retainer strip and plastic fascia around hitch bottom bracket. This area (approximately 1 1/2" X 8") must be clear for bracket to fit directly against metal bumper. The retainer is generally removed from bumper for cutting and the plastic fascia trimmed with a sharp utility knife. Use a 10mm wrench to remove retainer strip. Pieces of metal retainer strip are replaced to either side.
- LEXUS MODELS ONLY:** Remove the plastic fascia center section below the rear bumper.
- The hitch should now align with existing weld nuts located in the metal bumper. Use spacer plate on some models. One additional thickness of 1/2" flat washers may be used for shimming if necessary. Install fasteners as shown. Replace remaining pieces of fascia retainer.
- Torque all hardware to 86 lb.-ft.

PERIODICALLY CHECK THIS RECEIVER HITCH TO ENSURE THAT ALL FASTENERS ARE TIGHT AND THAT ALL STRUCTURAL COMPONENTS ARE SOUND.

Curt Manufacturing Inc., warrants this product to be free of defects in material and/or workmanship at the time of retail purchase by the original purchaser. If the product is found to be defective, Curt Manufacturing Inc., may repair or replace the product, at their option, when the product is returned, prepaid, with proof of purchase. Alteration to, misuse of, or improper installation of this product voids the warranty. Curt Manufacturing Inc.'s liability is limited to repair or replacement of products found to be defective, and specifically excludes liability for incidental or consequential loss or damage.