

11233**1992-2000 LEXUS COUPE SC300 & 400**

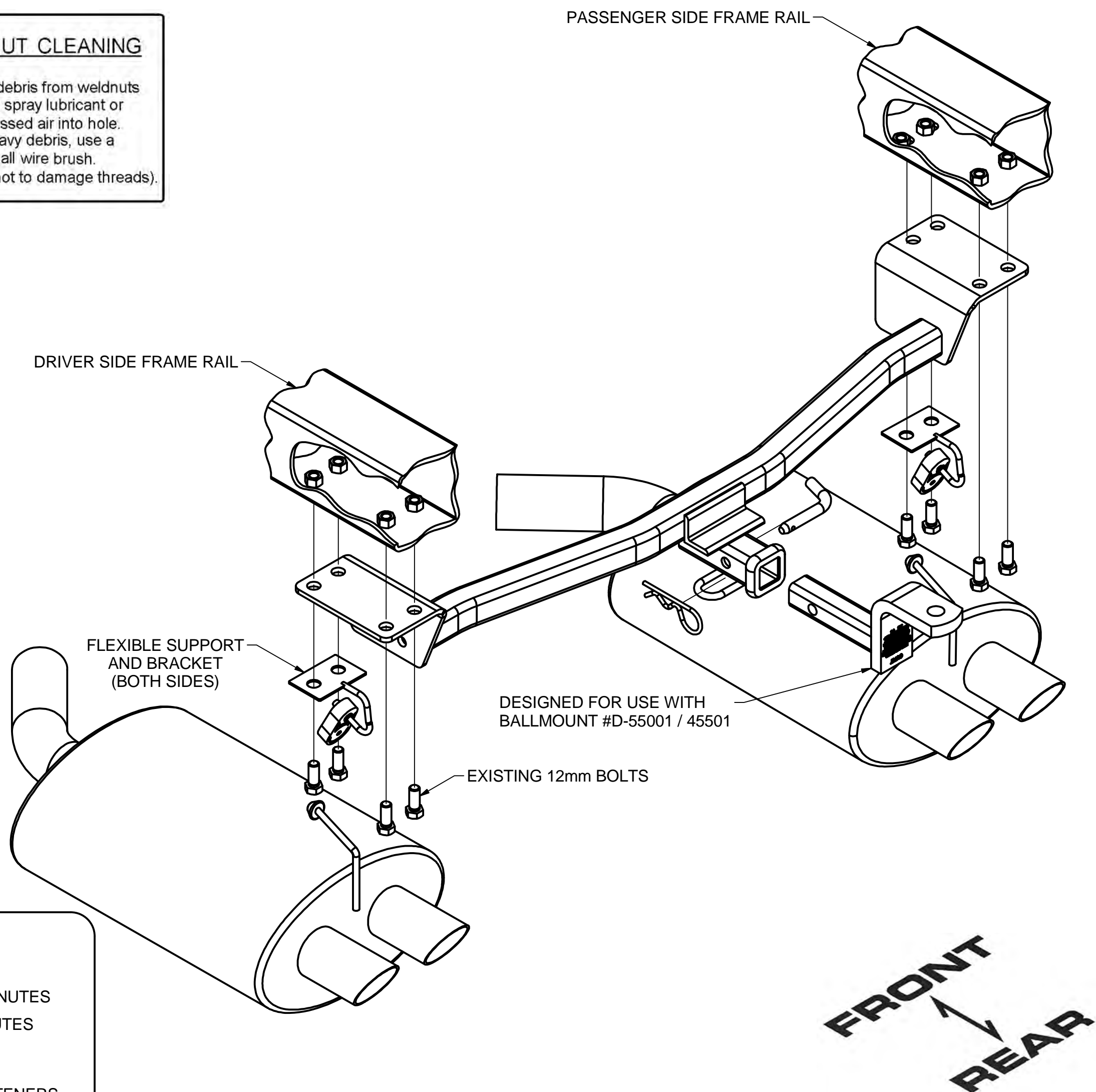
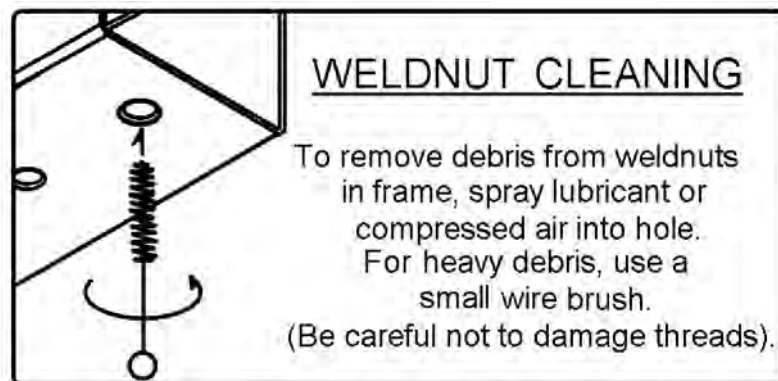
11/13/2017

GROSS LOAD CAPACITY WHEN USED AS A WEIGHT CARRYING HITCH: 2,000 LBS. TRAILER WEIGHT & 200 LBS. TONGUE WEIGHT.

DO NOT EXCEED VEHICLE MANUFACTURER'S RECOMMENDED TOWING CAPACITY.

WARNING: ALL NON-TRAILER LOADS APPLIED TO THIS PRODUCT MUST BE SUPPORTED BY AUXILIARY STABILIZING STRAPS.

** FAILURE TO PROPERLY SUPPORT NON-TRAILER LOADS WILL VOID PRODUCT WARRANTY**

HAVING INSTALLATION QUESTIONS? CALL TECHNICAL SUPPORT AT 1-800-798-0813

HITCH WEIGHT: 21 LBS.

INSTALL TIME

PROFESSIONAL: 45 MINUTES

NOVICE (DIY): 90 MINUTES

INSTALL NOTES:

- NO DRILLING REQUIRED
- USES ALL EXISTING FASTENERS

INSTALLATION STEPS

1. Locate the exhaust mufflers under the rear of the car at the left and right sides. The mufflers are supported at the rear by a flexible support and bracket bolted into the chassis at the left and right sides of the car. Large tie down plates are bolted under the exhaust support brackets using four 12mm bolts.
2. Remove the four 12mm bolts in each bracket and return the tie down brackets to the car's owner for reinstallation should the hitch ever be removed.
3. This hitch will bolt in place where the tie down brackets were removed. Use the same 12 x 40mm fasteners removed earlier to install the hitch. Refasten the exhaust support brackets at the two forward bolts at the bottom of the hitch side plates.
4. Torque all 12mm fasteners to 86 lb-ft.

PERIODICALLY CHECK THIS RECEIVER HITCH TO ENSURE THAT ALL FASTENERS ARE TIGHT AND THAT ALL STRUCTURAL COMPONENTS ARE SOUND.

Curt Manufacturing Inc., warrants this product to be free of defects in material and/or workmanship at the time of retail purchase by the original purchaser. If the product is found to be defective, Curt Manufacturing Inc., may repair or replace the product, at their option, when the product is returned, prepaid, with proof of purchase. Alteration to, misuse of, or improper installation of this product voids the warranty. Curt Manufacturing Inc.'s liability is limited to repair or replacement of products found to be defective, and specifically excludes liability for incidental or consequential loss or damage.