



Safety glasses should be worn at all times while installing this product.

YEARS: 2012-PRESENT

MAKE: VOLKSWAGEN

MODEL: PASSAT

STYLE: SEDAN

WARNING: NEVER EXCEED YOUR VEHICLE MANUFACTURER'S RECOMMENDED TOWING CAPACITY
 For more information log onto www.curtmfg.com & for helpful towing tips log onto www.hitchinfo.com

WEIGHT CARRYING:
 TRAILER WEIGHT: 2,000 LBS.
 TONGUE WEIGHT: 200 LBS.

WARNING:
 WE RECOMMEND THE USE OF 18050 STABILIZING STRAPS FOR ALL NON-TRAILER (WHEEL-LESS) LOADS. PLEASE SEE THE CURT CATALOG OR VISIT US ONLINE AT WWW.CURTMFG.COM FOR FURTHER INFORMATION.

PRO INSTALL TIME: 30 MIN.
NOVICE INSTALL TIME: 60 MIN.

IF YOU ARE HESITANT TO UNDERTAKE THIS TASK ON YOUR OWN, CONTACT AN AUTHORIZED CURT INSTALLER FOR ADDITIONAL ASSISTANCE.

INSTALLATION REQUIRES:

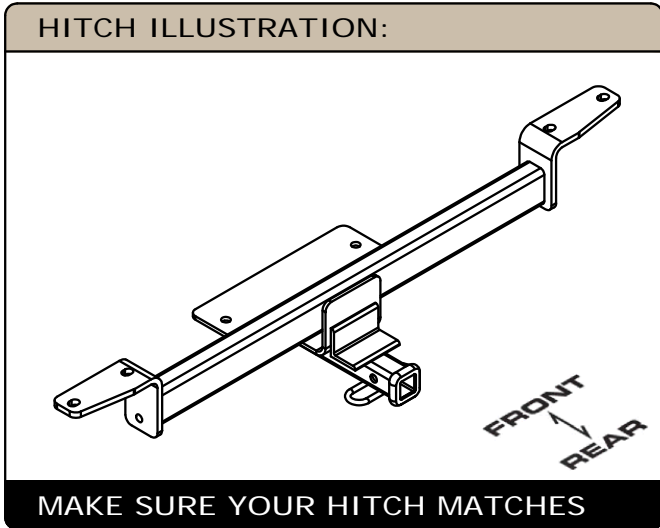
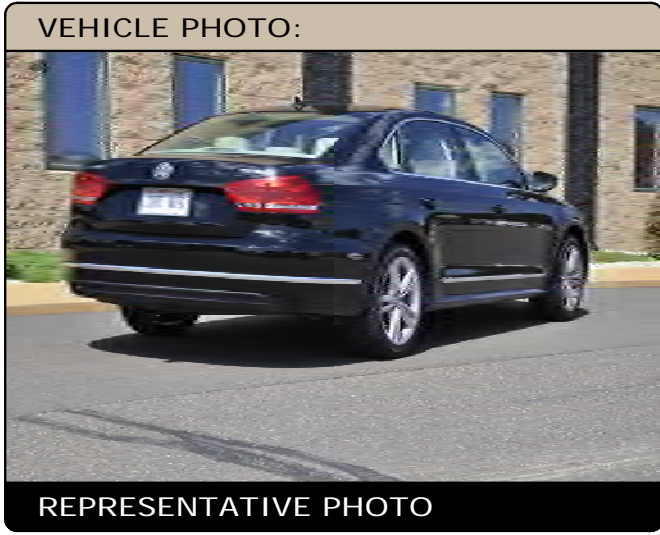
RATCHET	TORQUE WRENCH	SOCKET
9" SOCKET EXTENSION	T-15 TORXBIT T-25 SOCKET	ROTARY TOOL
TAPE MEASURE	MASKING TAPE	SILICONE CAULK
CUT-OFF WHEEL	SAFETY GLASSES	

INSTALLATION TIPS:

- BEFORE YOU BEGIN INSTALLATION, READ ALL INSTRUCTIONS THOROUGHLY.
- TO EASE INSTALLATION, 2 PEOPLE MAY BE REQUIRED.
- USING PROPER TOOLS WILL GREATLY IMPROVE THE QUALITY OF THE INSTALL AND REDUCE THE TIME REQUIRED.
- NEED HELP OR HAVE SOME QUESTIONS? CALL TECHNICAL SUPPORT AT 800.798.0813

LEVEL OF DIFFICULTY: MODERATE

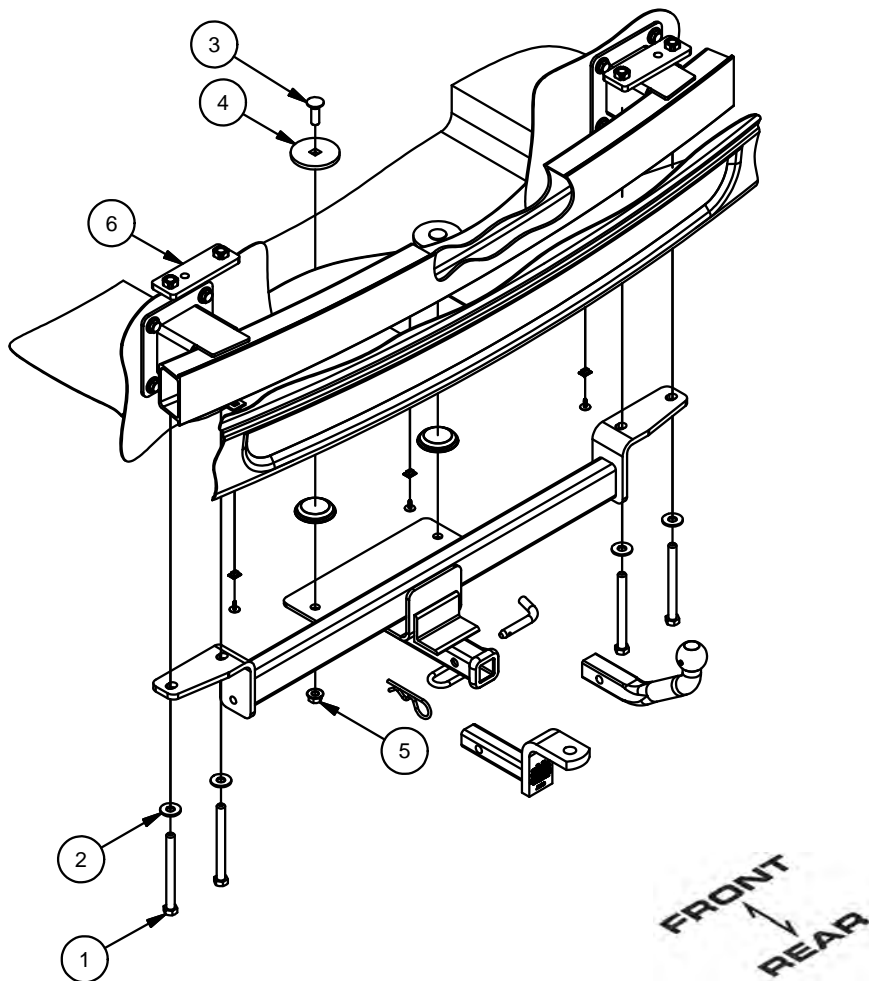
EASY	MODERATE	CHALLENGING
	- NO DRILLING REQUIRED	
	- FASCIA TRIMMING REQUIRED	
	- REMOVE DRAIN PLUGS	
	- TEMPORARILY REMOVE SPARE TIRE	



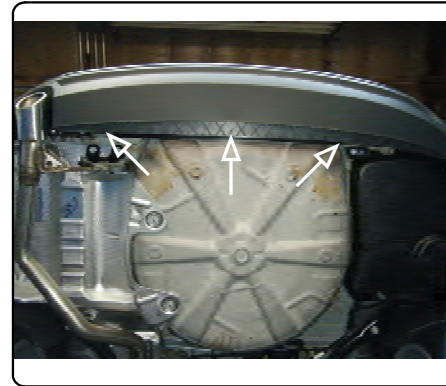
PERIODICALLY CHECK THIS RECEIVER HITCH TO ENSURE ALL FASTENERS ARE TIGHT AND ALL STRUCTURAL COMPONENTS ARE SOUND
 CURT Manufacturing LLC. warrants this product to be free of defects in material and/or workmanship at the time of retail purchase by the original purchaser. If the product is found to be defective, CURT Manufacturing LLC. may repair or replace the product at their option, when the product is returned, prepaid, with proof of purchase. Alteration to, misuse of, or improper installation of this product voids the warranty. CURT Manufacturing LLC.'s liability is limited to repair or replacement of products found to be defective, and specifically excludes liability for incidental or consequential loss or damage.
For more information log onto www.curtmfg.com, & for helpful towing tips log onto www.hitchinfo.com
 This product complies with safety specifications and requirements for connecting devices and towing systems of the state of New York, V.E.S.C.Regulation V-5 and SAE J684.

INSTALLATION WALKTHROUGH:

Parts List			
ITEM	QTY	PART NUMBER	DESCRIPTION
1	4	1/2-13 x 5 1/2	HEX BOLT
2	4	1/2"	CONICAL TOOTHED WASHER
3	2	1/2-13 x 1 1/2	CARRIAGE BOLT
4	2	CM-SP62	.250" SPACER PLATE
5	2	HFN 1213	HEX FLANGE NUT
6	2	11234-NPWA	NUT PLATE WELDMENT



1. Remove the (3) fascia screws and clips holding the rear plastic fascia to the bottom of the trunk pan. Retain (2) screws and clips for reinstallation in Step (9) and return (1) screw and clip to owner. If present remove underbody panel by removing (5) screws and (5) plastic nuts. Save for reinstallation.



2. Remove the jack and spare tire from inside the trunk.

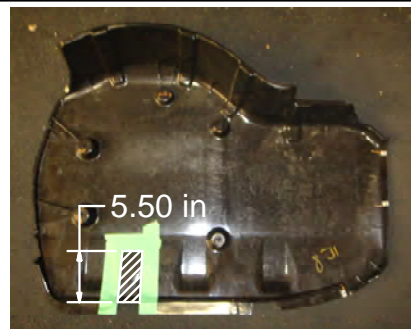
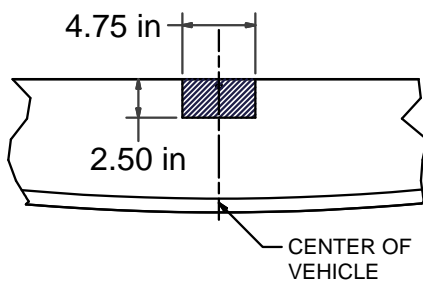


INSTALLATION WALKTHROUGH:

3. Remove the (2) rearmost rubber drain plugs from the bottom of the trunk pan and return to owner.

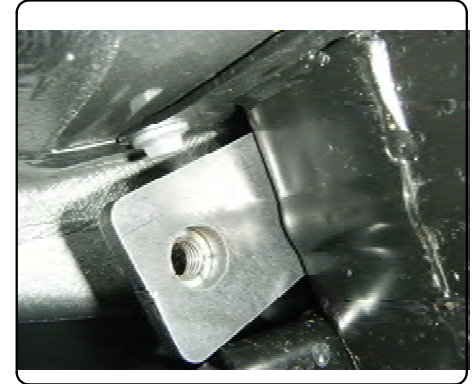


4. Mark and trim rear fascia. **Note:** Dimensions are approximate, confirm fit prior to trimming. If present mark and trim the underbody panel using the Underbody Trim Diagram below for reference.



UNDERBODY TRIM DIAGRAM

5. Unclip rear fascia on the passenger side. Gently flex the fascia and place nut plates on top of the bumper beam supports.



6. Seal around the back two holes on hitch with silicone caulk. Raise hitch into position, aligning the slots in the hitch with the holes in the nut plates.



INSTALLATION WALKTHROUGH:

7. Loosely secure the hitch into position using 1/2-13 x 5" hex bolts and 1/2" conical toothed washers. Insert a CM-SP62 spacer and 1/2-13 x 1 1/2" carriage bolt into each of the drain holes and secure from below with 1/2" hex flange nut.



- ↓
8. Torque all 1/2" x 1 1/2" hardware to 110 ft-lbs.
Torque all 1/2" x 5 1/2" hardware to 75 ft-lbs.
- Return the spare tire to the trunk.



9. Reinstall the (2) outer screws and clips through the bumper fascia and into the trunk pan.
If present reinstall the underbody panel removed in Step 1.



GROSS LOAD CAPACITY WHEN USED AS A WEIGHT CARRYING HITCH: 2,000 LBS. TRAILER WEIGHT & 200 LBS. TONGUE WEIGHT.

WARNING: ALL NON-TRAILER LOADS APPLIED TO THIS PRODUCT MUST BE SUPPORTED BY 18050 STABILIZING STRAPS.

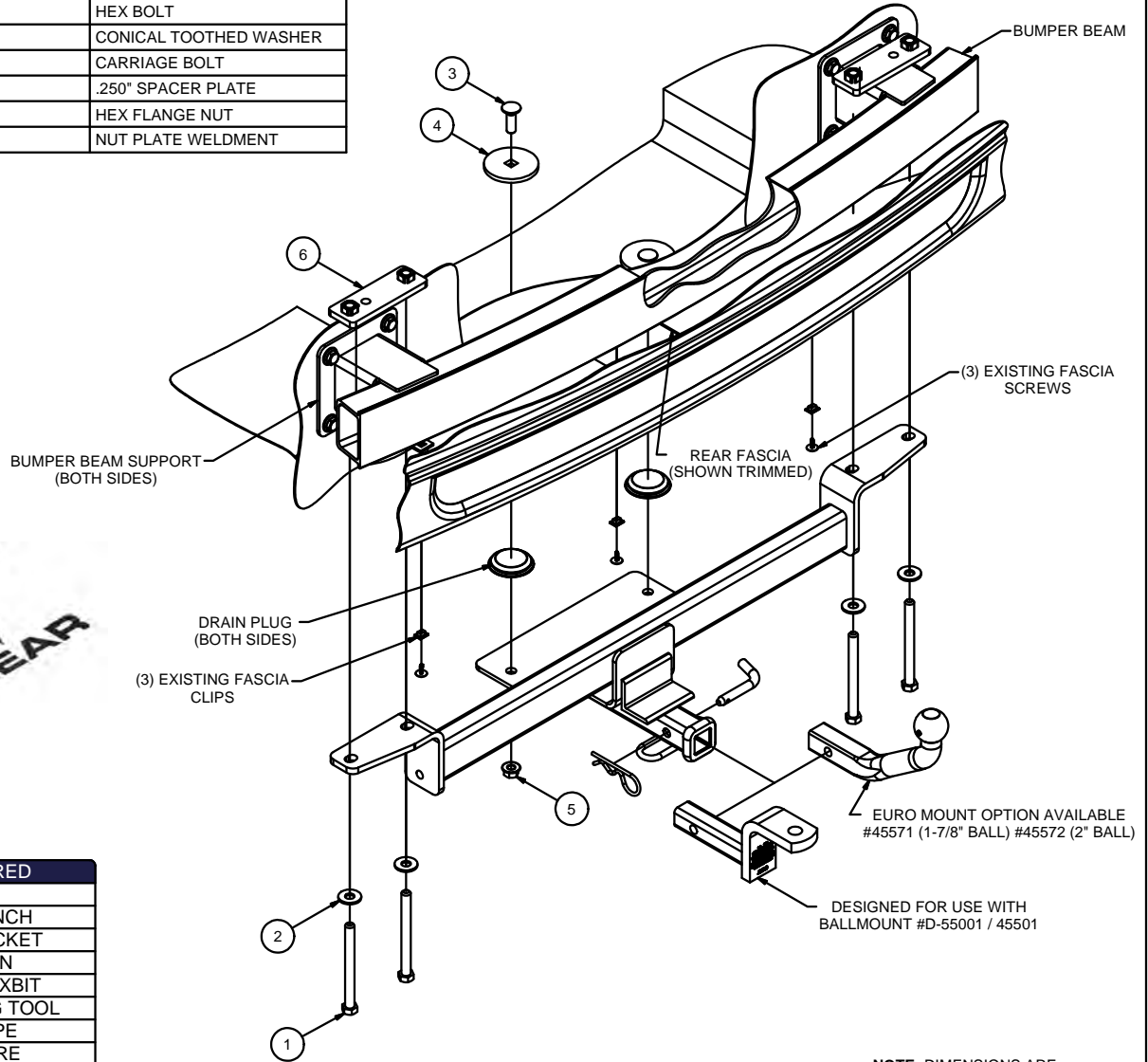
WARNING: ** FAILURE TO PROPERLY SUPPORT NON-TRAILER LOADS WILL VOID PRODUCT WARRANTY **

WARNING: *** DO NOT EXCEED VEHICLE MANUFACTURER'S RECOMMENDED TOWING CAPACITY ***

FOR MORE INFORMATION LOG ONTO WWW.CURTMFG.COM & FOR HELPFUL TOWING TIPS LOG ONTO WWW.HITCHINFO.COM
 HAVING INSTALLATION QUESTIONS? CALL TECHNICAL SUPPORT AT 1-800-798-0813

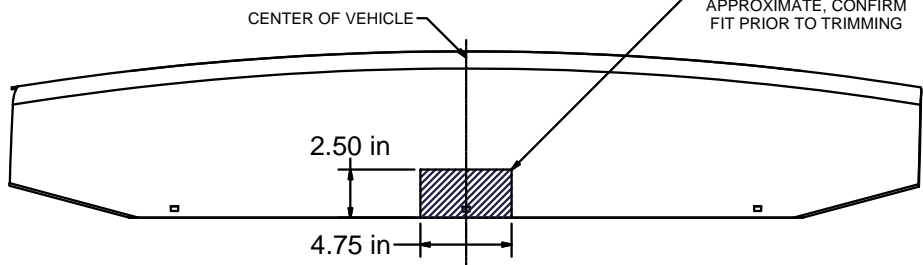


Parts List			
ITEM	QTY	PART NUMBER	DESCRIPTION
1	4	1/2-13 x 5 1/2	HEX BOLT
2	4	1/2"	CONICAL TOOTHED WASHER
3	2	1/2-13 x 1 1/2	CARRIAGE BOLT
4	2	CM-SP62	.250" SPACER PLATE
5	2	HFN 1213	HEX FLANGE NUT
6	2	11234-NPWA	NUT PLATE WELDMENT



TOOLS REQUIRED	
	RATCHET
	TORQUE WRENCH
	3/4" & 10mm SOCKET
	9" EXTENSION
	T-15 & T-25 TORXBIT
	ROTARY CUTTING TOOL
	MASKING TAPE
	TAPE MEASURE
	SILICONE CAULK
	SAFETY GLASSES

NOTE: DIMENSIONS ARE APPROXIMATE, CONFIRM FIT PRIOR TO TRIMMING



FASCIA TRIM DIAGRAM

HITCH WEIGHT: 37 LBS.
 INSTALL TIME
 PROFESSIONAL: 30 MINUTES
 NOVICE (DIY): 60 MINUTES
 INSTALL NOTES:
 - NO DRILLING REQUIRED
 - FASCIA TRIMMING REQUIRED
 - REMOVE PLUGS
 - TEMPORARILY REMOVE SPARE TIRE

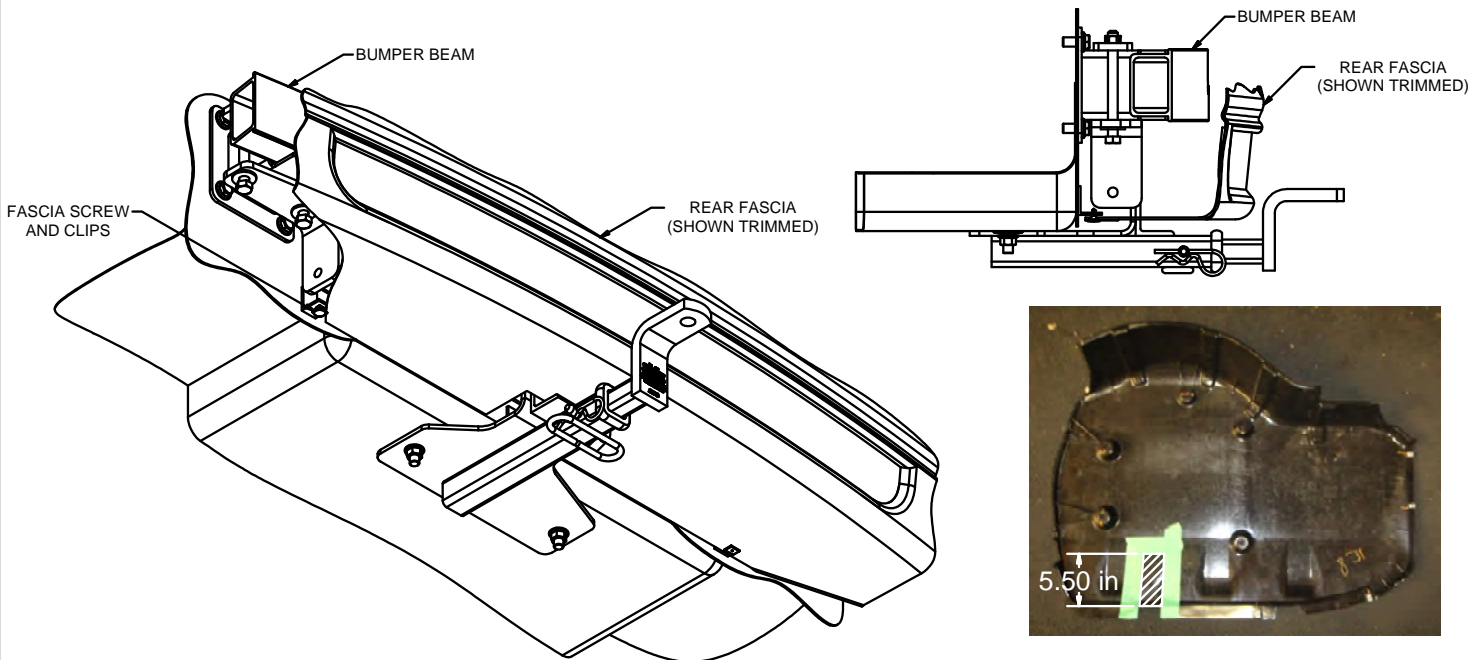
PERIODICALLY CHECK THIS RECEIVER HITCH TO ENSURE THAT ALL FASTENERS ARE TIGHT AND THAT ALL STRUCTURAL COMPONENTS ARE SOUND.



Scan for more information

CURT Manufacturing LLC., warrants this product to be free of defects in material and/or workmanship at the time of retail purchase by the original purchaser. If the product is found to be defective, CURT Manufacturing LLC., may repair or replace the product, at their option, when the product is returned, prepaid, with proof of purchase. Alteration to, misuse of, or improper installation of this product voids the warranty. CURT Manufacturing LLC.'s liability is limited to repair or replacement of products found to be defective, and specifically excludes liability for incidental or consequential loss or damage.

This product complies with safety specifications and requirements for connecting devices and towing systems of the state of New York, V.E.S.C.Regulation V-5 and SAE J684.

HITCH SHOWN IN PROPER POSITIONUNDERBODY TRIM DIAGRAM**INSTALLATION STEPS**

1. Remove the (3) fascia screws and clips holding the rear plastic fascia to the bottom of the trunk pan. Retain (2) screws and clips for reinstallation in Step (10) and return (1) screw and clip to owner. If present remove underbody panel by removing (5) screws and (5) plastic nuts. Save for reinstallation.
2. Remove the spare tire from inside the trunk.
3. Remove the (2) rearmost rubber drain plugs from the bottom of the trunk pan and return to owner.
4. Mark and trim the rear fascia. **Note:** Dimensions are approximate, confirm fit prior to trimming. (See Fascia Trim Diagram)
If present mark and trim the underbody panel using the Underbody Trim Diagram for reference.
5. Gently flex the rear fascia and place the nut plates on top of the bumper beam supports.
6. Raise the hitch into position, aligning the slots in the hitch with the holes in the nut plates. Loosely secure the hitch into position using 1/2-13 x 5" hex bolts and 1/2" conical toothed washers.
7. Seal the drain holes in the trunk pan with silicone caulk. Insert a CM-SP62 spacer and 1/2-13 x 1 1/2" carriage bolt into each of the drain holes and secure from below with 1/2" hex flange nuts.
8. Torque all 1/2" x 1 1/2" hardware to 110 ft-lbs. Torque all 1/2" x 5 1/2" hardware to 75 ft-lbs.
9. Return the spare tire to the trunk.
10. Reinstall the (2) outer screws through the bumper fascia and into the trunk pan.
If present reinstall the underbody panel removed in Step 1.

PERIODICALLY CHECK THIS RECEIVER HITCH TO ENSURE THAT ALL FASTENERS ARE TIGHT AND THAT ALL STRUCTURAL COMPONENTS ARE SOUND.

CURT Manufacturing LLC., warrants this product to be free of defects in material and/or workmanship at the time of retail purchase by the original purchaser. If the product is found to be defective, CURT Manufacturing LLC., may repair or replace the product, at their option, when the product is returned, prepaid, with proof of purchase. Alteration to, misuse of, or improper installation of this product voids the warranty. CURT Manufacturing LLC.'s liability is limited to repair or replacement of products found to be defective, and specifically excludes liability for incidental or consequential loss or damage.

This product complies with safety specifications and requirements for connecting devices and towing systems of the state of New York, V.E.S.C.Regulation V-5 and SAE J684.