

11255**95-96 NISSAN MAXIMA**

11/13/2017

GROSS LOAD CAPACITY WHEN USED AS A WEIGHT CARRYING HITCH: 2,000 LBS. TRAILER WEIGHT & 200 LBS. TONGUE WEIGHT.

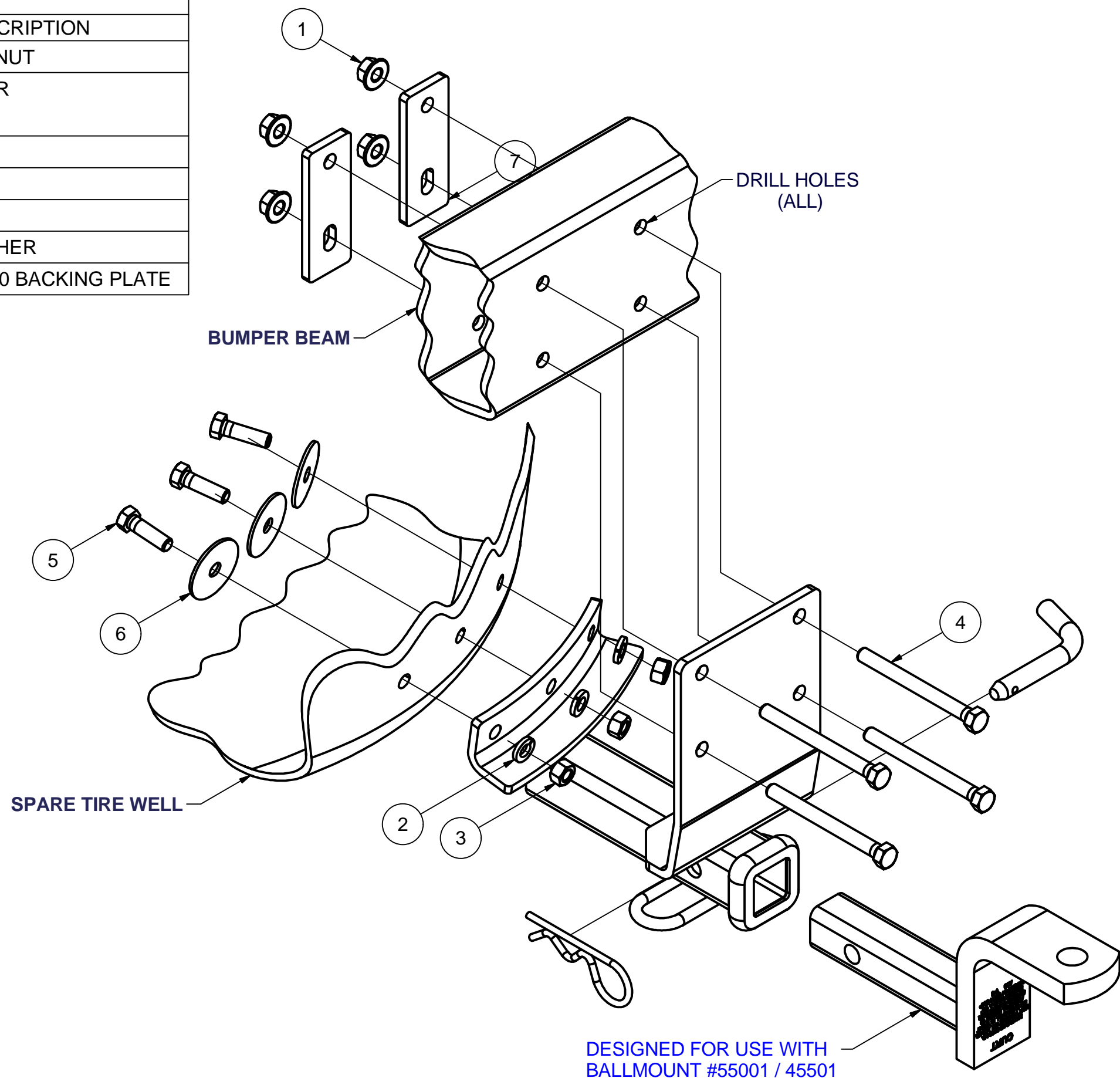
DO NOT EXCEED VEHICLE MANUFACTURER'S RECOMMENDED TOWING CAPACITY.

WARNING: ALL NON-TRAILER LOADS APPLIED TO THIS PRODUCT MUST BE SUPPORTED BY 18050 STABILIZING STRAPS.

** FAILURE TO PROPERLY SUPPORT NON-TRAILER LOADS WILL VOID PRODUCT WARRANTY**

HAVING INSTALLATION QUESTIONS? CALL TECHNICAL SUPPORT AT 1-800-798-0813

Parts List			
ITEM	QTY	PART NUMBER	DESCRIPTION
1	4	HFN3816	HEX FLANGE NUT
2	3	3/8" LOCK WASHER	LOCK WASHER
3	3	3/8 - 16	HEX NUT
4	4	3/8 - 16 x 4	HEX BOLT
5	3	3/8 - 16 x 1 1/4	HEX BOLT
6	3	3/8"	FENDER WASHER
7	2	CM-SP117	.25 x 1.50 x 4.00 BACKING PLATE



HITCH WEIGHT: 11 LBS.

INSTALL TIME

PROFESSIONAL: 45 MINUTES

NOVICE (DIY): 90 MINUTES

INSTALL NOTES:

- DRILLING REQUIRED
- REMOVE LICENSE PLATE
- REMOVE SPARE TIRE
- SILICONE SEAL HARDWARE

INSTALLATION STEPS

1. This hitch fastens to the surface of the bumper behind the license plate, and to the spare tire well as shown.
2. Temporarily remove the license plate. Lift the hitch into position, center and square with the vehicle. To ease installation temporarily remove the fascia/bracket screws at the bottom of the bumper. Using the hitch as a template, drill bumper for 3/8" fasteners. Remove the horizontal fascia strip under the license plate. Pay attention to drilling holes square with the bumper so exit holes will match the backing plate. Temporarily mount the hitch using fasteners as shown.
3. Temporarily remove the spare tire. Using the hitch as a template, mark the tire well for fasteners. Remove the hitch and drill the tire well at marks. Install the hitch using hardware as shown. Please note that the fender washers are placed inside the tire well opposite the hitch.
4. Torque all 3/8" fasteners to 45 lb-ft.
5. Use silicone sealant to seal hardware installed through trunk pan.
6. Reinstall spare tire, fascia screws, fascia strip and license plate removed in Steps 2 and 3.

PERIODICALLY CHECK THIS RECEIVER HITCH TO ENSURE THAT ALL FASTENERS ARE TIGHT AND THAT ALL STRUCTURAL COMPONENTS ARE SOUND.

Curt Manufacturing Inc., warrants this product to be free of defects in material and/or workmanship at the time of retail purchase by the original purchaser. If the product is found to be defective, Curt Manufacturing Inc., may repair or replace the product, at their option, when the product is returned, prepaid, with proof of purchase. Alteration to, misuse of, or improper installation of this product voids the warranty. Curt Manufacturing Inc.'s liability is limited to repair or replacement of products found to be defective, and specifically excludes liability for incidental or consequential loss or damage.

257230