

11275

87-94 SUBARU WAGON 2WD & 4WD & LOYALE

12/5/2012

GROSS LOAD CAPACITY WHEN USED AS A WEIGHT CARRYING HITCH: 2,000 LBS. TRAILER WEIGHT & 200 LBS. TONGUE WEIGHT.

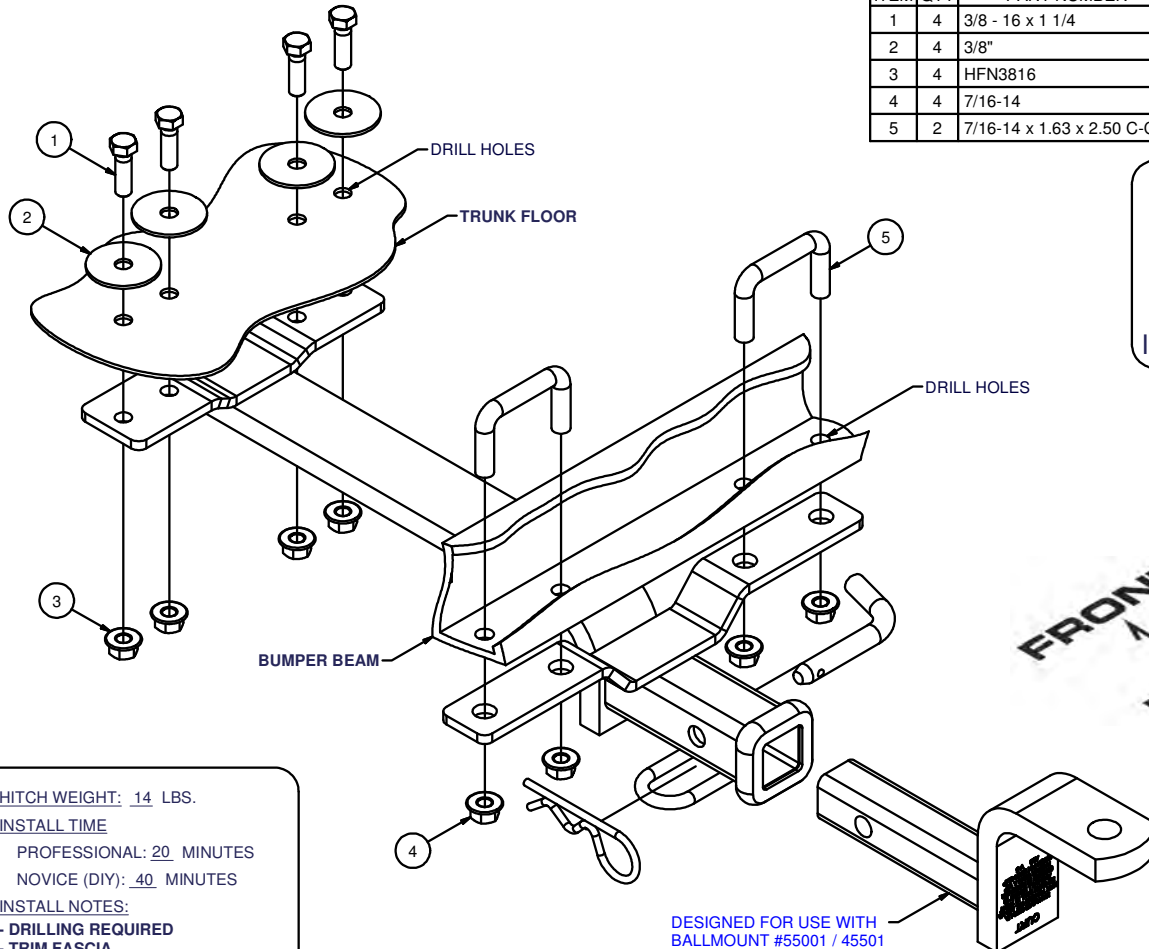
DO NOT EXCEED VEHICLE MANUFACTURER'S RECOMMENDED TOWING CAPACITY.

WARNING: ALL NON-TRAILER LOADS APPLIED TO THIS PRODUCT MUST BE SUPPORTED BY 18050 STABILIZING STRAPS.

** FAILURE TO PROPERLY SUPPORT NON-TRAILER LOADS WILL VOID PRODUCT WARRANTY**

HAVING INSTALLATION QUESTIONS? CALL TECHNICAL SUPPORT AT 1-800-798-0813

Parts List			
ITEM	QTY	PART NUMBER	DESCRIPTION
1	4	3/8 - 16 x 1 1/4	HEX BOLT
2	4	3/8"	FENDER WASHER
3	4	HFN3816	HEX FLANGE NUT
4	4	7/16-14	HEX FLANGE NUT
5	2	7/16-14 x 1.63 x 2.50 C-C	SQ. U-BOLT



HITCH WEIGHT: 14 LBS.

INSTALL TIME

PROFESSIONAL: 20 MINUTES

NOVICE (DIY): 40 MINUTES

INSTALL NOTES:

- DRILLING REQUIRED
- TRIM FASCIA
- CLEAR TRUNK
- SILICONE SEAL HARDWARE

INSTALLATION STEPS

1. Remove any contents in the vehicle's rear compartment where mounting holes will be drilled. Mark the vehicle's centerline at underside of rear bumper. Hold the hitch in place centered and square on vehicle. Position the hitch for hitch ball to bumper clearance of 1 1/2" minimum. Mark and trim bumper fascia on some models.
2. Hold the hitch in place under the vehicle and use hitch as a template to mark floor and bumper for drill holes. Drill holes in bumper beam for 7/16" fasteners and drill holes in trunk floor for 3/8" fasteners. Work (2) u-bolts into bumper by slowly sliding into one hole until it sticks out of adjacent hole. Install fasteners as shown. Be careful not to push U-bolts out of position when putting hitch into place.
3. Torque all 3/8" fasteners to 45 lb.-ft and all 7/16" fasteners to 70 lb.-ft.
4. Use silicone sealant to seal hardware installed through trunk floor.
5. Reinstall all contents removed in Step 1.

PERIODICALLY CHECK THIS RECEIVER HITCH TO ENSURE THAT ALL FASTENERS ARE TIGHT AND THAT ALL STRUCTURAL COMPONENTS ARE SOUND.

Curt Manufacturing Inc., warrants this product to be free of defects in material and/or workmanship at the time of retail purchase by the original purchaser. If the product is found to be defective, Curt Manufacturing Inc., may repair or replace the product, at their option, when the product is returned, prepaid, with proof of purchase. Alteration to, misuse of, or improper installation of this product voids the warranty. Curt Manufacturing Inc.'s liability is limited to repair or replacement of products found to be defective, and specifically excludes liability for incidental or consequential loss or damage.

247237