



Safety glasses should be worn at all times while installing this product.

YEARS: 2012-CURRENT

MAKE: HYUNDAI

MODEL: AZERA

STYLE: SEDAN

**WARNING: NEVER EXCEED YOUR VEHICLE MANUFACTURER'S RECOMMENDED TOWING CAPACITY**

**WEIGHT CARRYING:**  
 TRAILER WEIGHT: 2,000 LBS.  
 TONGUE WEIGHT: 200 LBS.

**WARNING:**  
 WE RECOMMEND THE USE OF 18050 STABILIZING STRAPS FOR ALL NON-TRAILER (WHEEL-LESS) LOADS. PLEASE SEE THE CURT CATALOG OR VISIT US ONLINE AT [WWW.CURTMFG.COM](http://WWW.CURTMFG.COM) FOR FURTHER INFORMATION.

**INSTALLATION TIME: 20 MIN.**

THE INSTALL TIME LISTED IS FOR PROFESSIONAL INSTALLERS. IF YOU ARE HESITANT TO UNDERTAKE THIS TASK ON YOUR OWN, CONTACT AN AUTHORIZED CURT INSTALLER FOR ADDITIONAL ASSISTANCE.

**INSTALLATION TIPS:**

- BEFORE YOU BEGIN INSTALLATION, READ ALL INSTRUCTIONS THOROUGHLY.
- TO EASE INSTALLATION, 2 PEOPLE MAY BE REQUIRED.
- USING PROPER TOOLS WILL GREATLY IMPROVE THE QUALITY OF THE INSTALL AND REDUCE THE TIME REQUIRED.
- NEED HELP OR HAVE SOME QUESTIONS? CALL TECHNICAL SUPPORT AT 800.798.0813

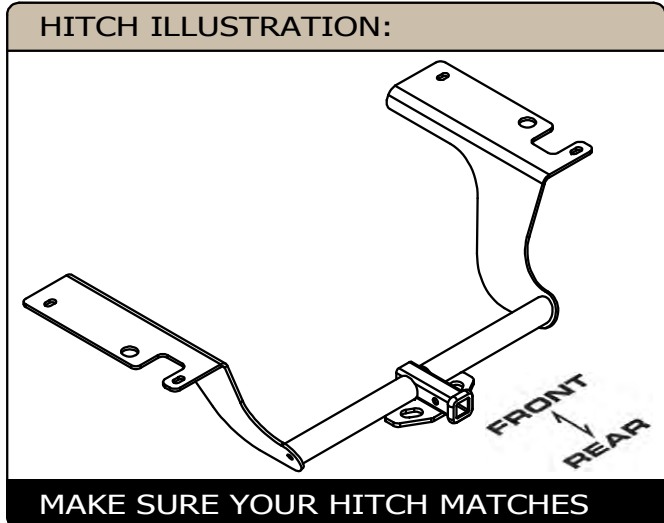


**INSTALLATION REQUIRES:**

	 <b>10mm</b> <b>12mm</b> <b>3/4 in</b>	
<b>RATCHET</b>	<b>SOCKET</b>	<b>TORQUE WRENCH</b>
<b>PRY BAR</b>	<b>AVIATION SHEARS</b>	<b>DIE GRINDER</b>
<b>SPRAY LUBRICANT</b>	<b>SAFETY GLASSES</b>	

**LEVEL OF DIFFICULTY: EASY**

EASY	MODERATE	CHALLENGING
	- REMOVE RUBBER EXHAUST HANGERS	
	- REMOVE HEAT SHIELD(S)	
	- HOLE ENLARGEMENT	
	- FISHWIRE HARDWARE	
	- REVERSE FISHWIRE HARDWARE	



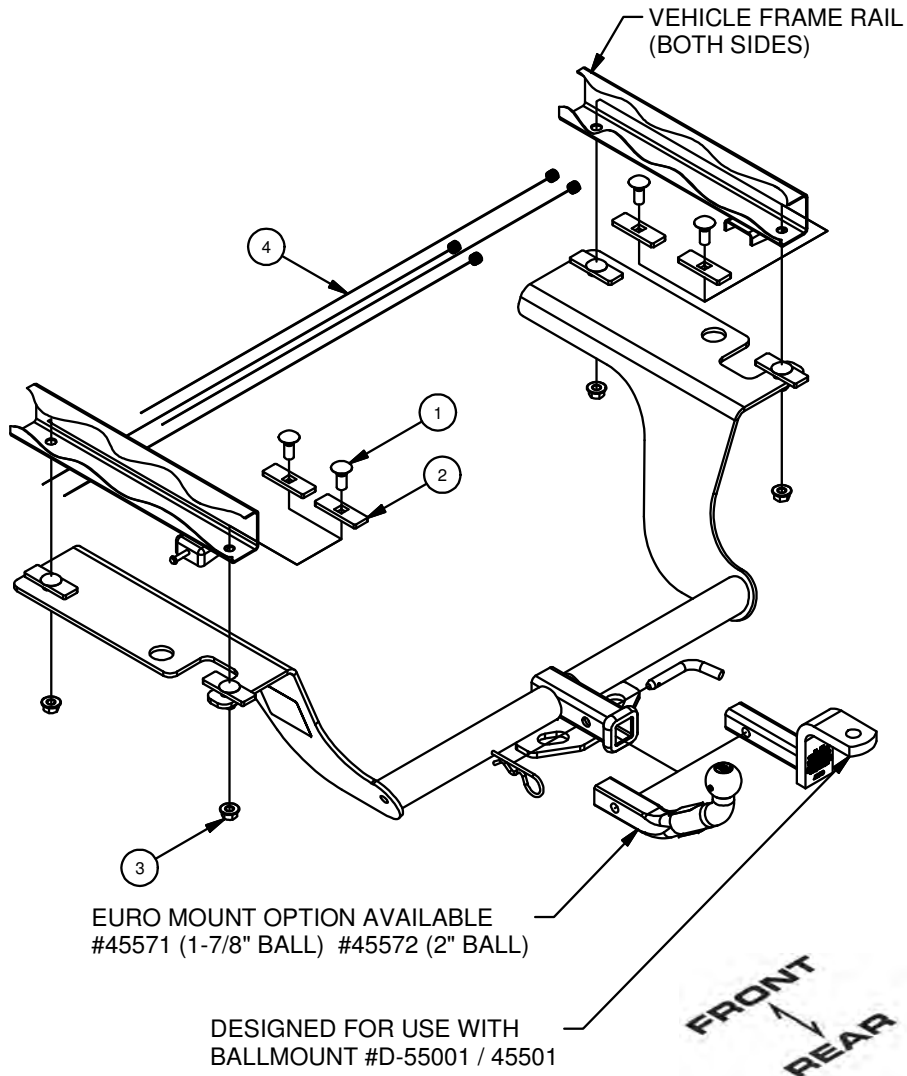
**PERIODICALLY CHECK THIS RECEIVER HITCH TO ENSURE ALL FASTENERS ARE TIGHT AND ALL STRUCTURAL COMPONENTS ARE SOUND**

CURT Manufacturing LLC. warrants this product to be free of defects in material and/or workmanship at the time of retail purchase by the original purchaser. If the product is found to be defective, Curt Manufacturing LLC. may repair or replace the product at their option, when the product is returned, prepaid, with proof of purchase. Alteration to, misuse of, or improper installation of this product voids the warranty. Curt Manufacturing LLC.'s liability is limited to repair or replacement of products found to be defective, and specifically excludes liability for incidental or consequential loss or damage.

For more information log onto [www.curtmfg.com](http://www.curtmfg.com), & for helpful towing tips log onto [www.hitchinfo.com](http://www.hitchinfo.com)

# INSTALLATION WALKTHROUGH:

Parts List				
ITEM	QTY	PART NUMBER	DESCRIPTION	
1	4	1/2-13 x 1 1/4	CARRIAGE BOLT	
2	4	CM-SP6	.250 x 1.00 x 3.00" SQUARE HOLE SPACER	
3	4	HFN 1213	HEX FLANGE NUT	
4	2	1_2 x 30 FISHWIRE	1/2" x 30" FISHWIRE	



1. Lower exhaust by removing exhaust hangers on driver and passenger side (4) fasteners also remove (1) rubber isolator by "Y" pipe. (See RUBBER ISOLATOR REMOVAL DIAGRAM).



### RUBBER ISOLATOR REMOVAL DIAGRAM

This technique can be used if an Exhaust Hanger Removal Pliers is not available.

Using a 5/8" open end wrench, slide the wrench up to the rubber isolator, cradling the hanger rod as shown. Next place the flat edge of a pry bar between the wrench and the hanger stop or hanger rod. Then simply rotate the pry bar toward the wrench to remove the rubber isolator.

Note: Using a spray lubricant or soapy water on the hanger rod and the rubber isolator helps removal.



2. Remove heat shield(s) by removing (3) fasteners each side.



## INSTALLATION WALKTHROUGH:

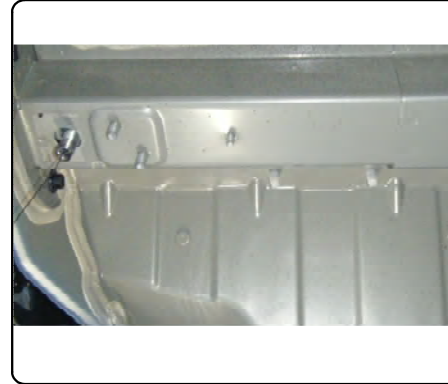
3. Remove (2) pads from each frame rail and discard. These pads cover holes which will be used to mount hitch.



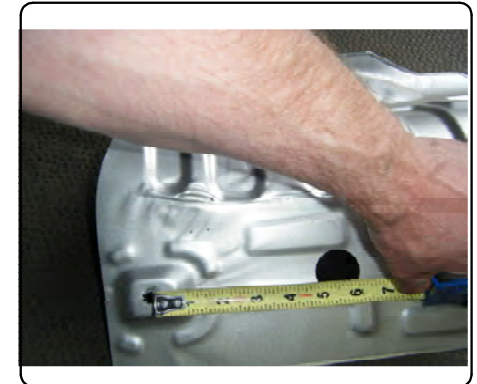
4. Enlarge the forward-most hole to allow 1/2" bolts and spacers to pass through.



5. Fishwire and reverse fishwire 1/2" bolts and spacers into position.



6. Measure, mark, and trim heatshields to allow fasteners to pass through. (5-1/2" back from front mounting hole on driver side and 8-1/2" back from front mounting hole on passenger side.) Reinstall heat shields. (Driver side shown)

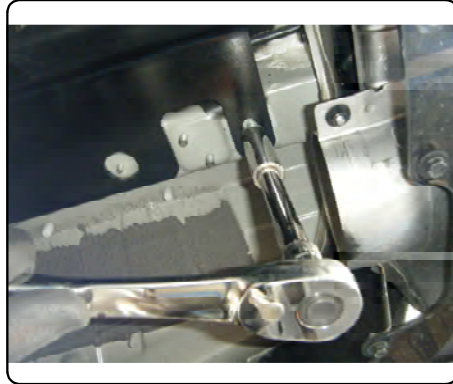




## INSTALLATION WALKTHROUGH:

7. Raise hitch into position and attach to frame using 1/2" flange nuts.

**NOTE:** Be careful not to push hardware into frame when raising hitch into position.



8. Torque all 1/2" hardware to 110 ft-lbs. Raise exhaust back into position.



9. Hitch is now installed.



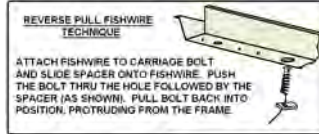
**11304****HYUNDAI AZERA**

1/25/2013

GROSS LOAD CAPACITY WHEN USED AS A WEIGHT CARRYING HITCH: 2,000 LBS. TRAILER WEIGHT &amp; 200 LBS. TONGUE WEIGHT.

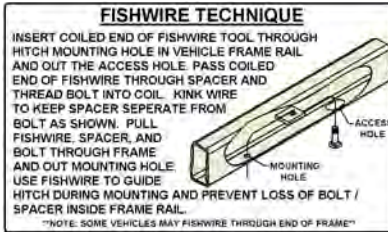
**\*\*\*DO NOT EXCEED VEHICLE MANUFACTURER'S RECOMMENDED TOWING CAPACITY.\*\*\*****WARNING: ALL NON-TRAILER LOADS APPLIED TO THIS PRODUCT MUST BE SUPPORTED BY 18050 STABILIZING STRAPS.****\*\* FAILURE TO PROPERLY SUPPORT NON-TRAILER LOADS WILL VOID PRODUCT WARRANTY\*\*****HAVING INSTALLATION QUESTIONS? CALL TECHNICAL SUPPORT AT 1-800-798-0813**

Parts List			
ITEM	QTY	PART NUMBER	DESCRIPTION
1	4	1/2-13 x 1 1/4	CARRIAGE BOLT
2	4	CM-SP6	.250 x 1.00 x 3.00" SQUARE HOLE SPACER
3	4	HFN 1213	HEX FLANGE NUT
4	2	1_2 x 30 FISHWIRE	1/2" x 30" FISHWIRE

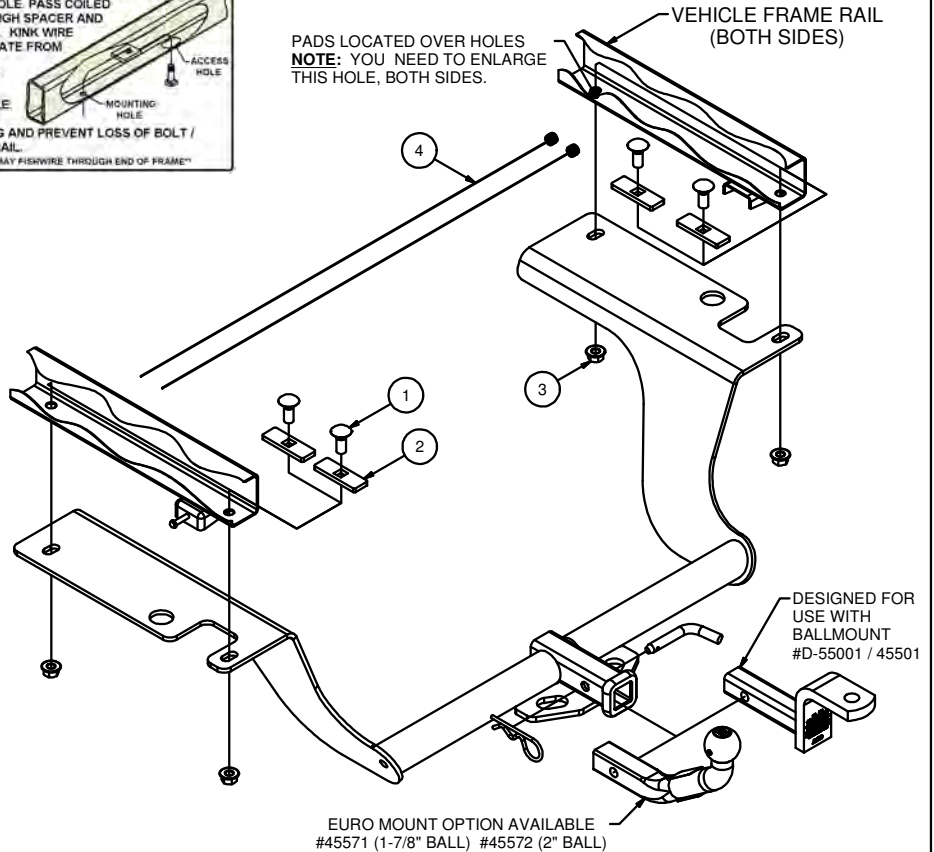
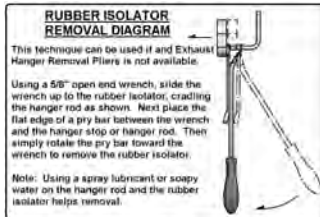


**FRONT**  
↑  
**REAR**

TOOLS REQUIRED
RATCHET
10mm SOCKET
12mm SOCKET
3/4 in SOCKET
TORQUE WRENCH
PRY BAR
AVIATION SHEARS
DIE GRINDER



PADS LOCATED OVER HOLES  
**NOTE: YOU NEED TO ENLARGE THIS HOLE, BOTH SIDES.**



HITCH WEIGHT: 34 LBS.

**INSTALL TIME**

PROFESSIONAL: 20 MINUTES

NOVICE (DIY): 40 MINUTES

**INSTALL NOTES:**

- MAY REQUIRE HOLE ENLARGEMENT
- FISHWIRE HARDWARE
- LOWER EXHAUST
- REMOVE HEAT SHIELD

**INSTALLATION STEPS**

1. Lower exhaust by removing exhaust hangers on driver and passenger side (4) fasteners also remove (1) rubber isolator by "Y" pipe. (See RUBBER ISOLATOR REMOVAL DIAGRAM).
2. Remove heat shield(s) by removing (3) fasteners each side.
3. Remove (2) pads from each frame rail and discard. These pads cover holes which will be used to mount hitch.
4. Enlarge the forward-most hole to allow 1/2" bolts and spacers to pass through.
5. Fishwire (rear most hole) and reverse fishwire (enlarged hole) 1/2" bolts and spacers into position. (See FISHWIRE TECHNIQUES)
6. Measure, mark, and trim heatshields to allow fasteners to pass through. (5-1/2" back from front mounting hole on driver side and 8-1/2" back from front mounting hole on passenger side.) Reinstall heat shields.
7. Raise hitch into position and attach to frame using 1/2" flange nuts.
8. Torque all 1/2" hardware to 110 ft-lbs. Raise exhaust back into position.

**PERIODICALLY CHECK THIS RECEIVER HITCH TO ENSURE THAT ALL FASTENERS ARE TIGHT AND THAT ALL STRUCTURAL COMPONENTS ARE SOUND.**

Curt Manufacturing Inc., warrants this product to be free of defects in material and/or workmanship at the time of retail purchase by the original purchaser. If the product is found to be defective, Curt Manufacturing Inc., may repair or replace the product, at their option, when the product is returned, prepaid, with proof of purchase. Alteration to, misuse of, or improper installation of this product voids the warranty. Curt Manufacturing Inc.'s liability is limited to repair or replacement of products found to be defective, and specifically excludes liability for incidental or consequential loss or damage.