

11306**CHEVROLET AVEO 5 AND PONTIAC G3 HATCHBACK**

10/8/2012

GROSS LOAD CAPACITY WHEN USED AS A WEIGHT CARRYING HITCH: 2,000 LBS. TRAILER WEIGHT & 200 LBS. TONGUE WEIGHT.

*****DO NOT EXCEED VEHICLE MANUFACTURER'S RECOMMENDED TOWING CAPACITY.*****

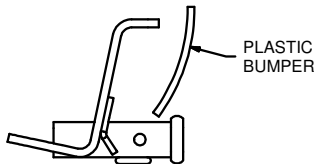
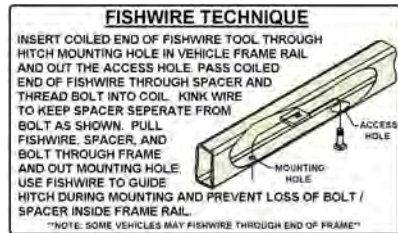
WARNING: ALL NON-TRAILER LOADS APPLIED TO THIS PRODUCT MUST BE SUPPORTED BY AUXILIARY STABILIZING STRAPS.

**** FAILURE TO PROPERLY SUPPORT NON-TRAILER LOADS WILL VOID PRODUCT WARRANTY****

HAVING INSTALLATION QUESTIONS? CALL TECHNICAL SUPPORT AT 1-800-798-0813

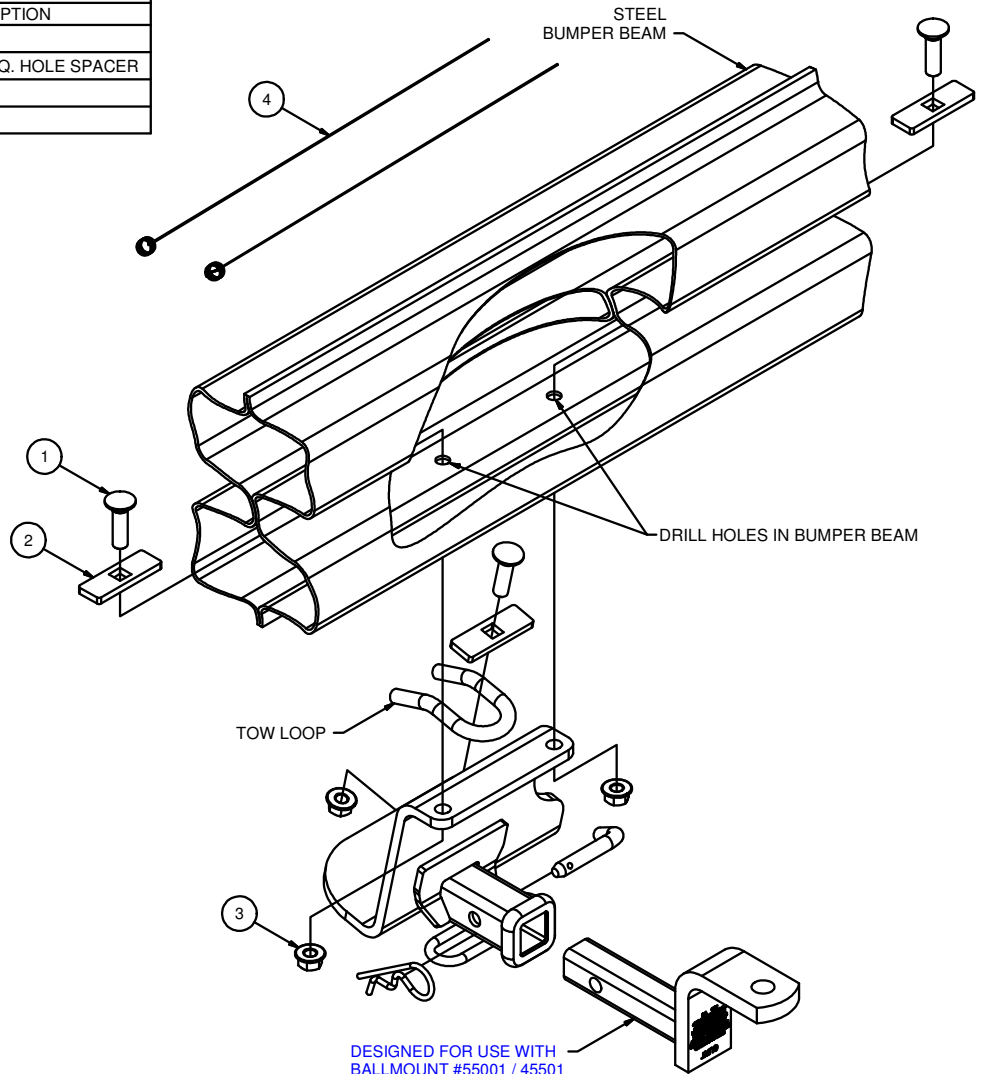
Parts List			
ITEM	QTY	PART NUMBER	DESCRIPTION
1	3	1/2-13 x 1 3/4	CARRIAGE BOLT
2	3	CM-SP6	.250 x 1.00 x 3.00" SQ. HOLE SPACER
3	3	HFN 1213	HEX FLANGE NUT
4	2	1_2 x 30 FISHWIRE	1/2" x 30" FISHWIRE

TOOLS REQUIRED
3/4" SOCKET
12" EXTENSION
RATCHET
TORQUE WRENCH
DRILL AND 1/2" BIT



INSTALLED HITCH POSITION

HITCH WEIGHT: 16 LBS.
 INSTALL TIME: 60 MINUTES
 INSTALL NOTES:
 - DRILLING REQUIRED
 - FISHWIRE FASTENERS
 - REMOVE FASCIA SCREWS

**INSTALLATION STEPS**

1. Place carriage bolt and spacer into tow loop on vehicle as shown. Raise the hitch into position over the carriage bolt and tight against tow loop. Secure with hex flange nut. (Finger Tight)
2. Remove the bottom rear fascia screws to allow for drill access through the rear holes of the hitch and into the bumper.
3. Rotate the hitch so that it is centered on the vehicle and square to the bumper. Drill holes for 1/2" bolts.
4. Fishwire carriage bolts and spacers through the ends of the bumper, out the drilled holes, and through the hitch mounting holes.
5. Install supplied flange nuts to the carriage bolts fishwired through the bumper.
6. Torque all 1/2" fasteners to 110 lb-ft. Re-install fascia screws removed in Step 2.

PERIODICALLY CHECK THIS RECEIVER HITCH TO ENSURE THAT ALL FASTENERS ARE TIGHT AND THAT ALL STRUCTURAL COMPONENTS ARE SOUND.

Curt Manufacturing Inc., warrants this product to be free of defects in material and/or workmanship at the time of retail purchase by the original purchaser. If the product is found to be defective, Curt Manufacturing Inc., may repair or replace the product, at their option, when the product is returned, prepaid, with proof of purchase. Alteration to, misuse of, or improper installation of this product voids the warranty. Curt Manufacturing Inc.'s liability is limited to repair or replacement of products found to be defective, and specifically excludes liability for incidental or consequential loss or damage.