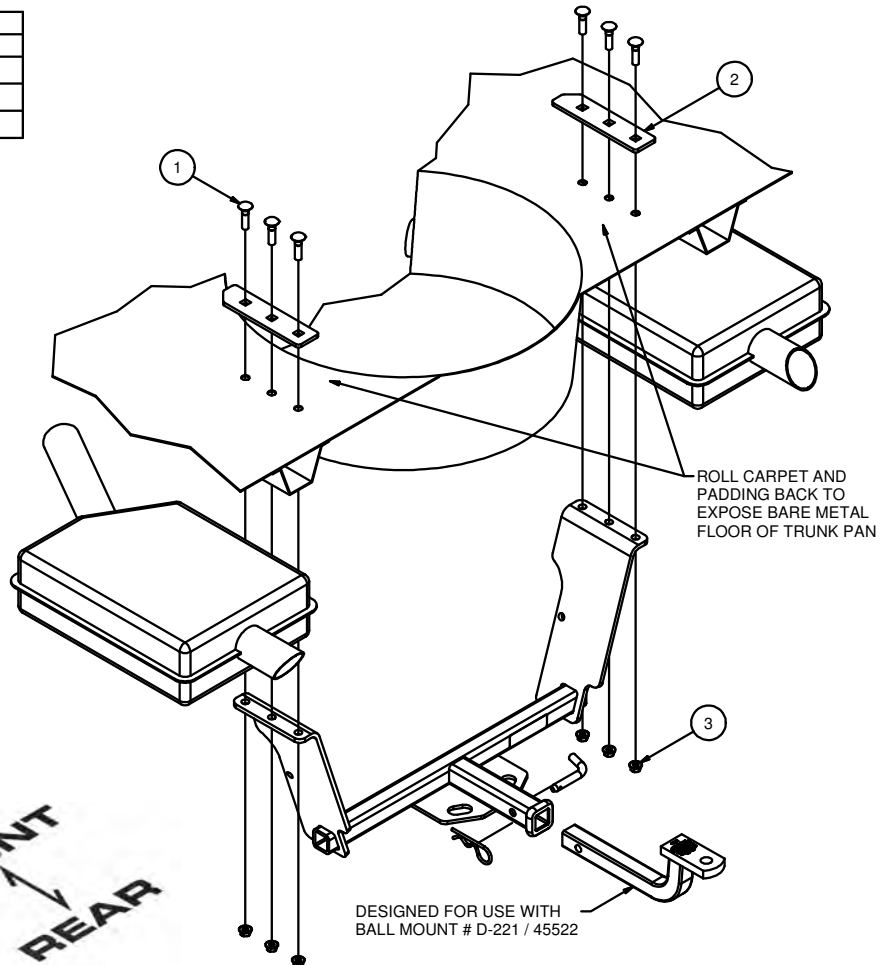
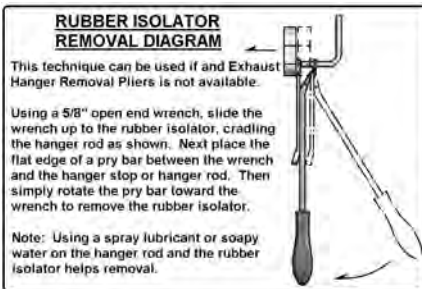


11307**CADILLAC CTS & STS 4 DOOR SEDAN****9/28/2012****GROSS LOAD CAPACITY WHEN USED AS A WEIGHT CARRYING HITCH: 2,000 LBS. TRAILER WEIGHT & 200 LBS. TONGUE WEIGHT.*******DO NOT EXCEED VEHICLE MANUFACTURER'S RECOMMENDED TOWING CAPACITY.*******WARNING: ALL NON-TRAILER LOADS APPLIED TO THIS PRODUCT MUST BE SUPPORTED BY AUXILIARY STABILIZING STRAPS.****** FAILURE TO PROPERLY SUPPORT NON-TRAILER LOADS WILL VOID PRODUCT WARRANTY******HAVING INSTALLATION QUESTIONS? CALL TECHNICAL SUPPORT AT 1-800-798-0813**

Parts List			
ITEM	QTY	PART NUMBER	DESCRIPTION
1	6	7/16 - 14 x 1 3/4	CARRIAGE BOLT
2	2	CM-11307-SP	.250" SPACER
3	6	7/16-14	HEX FLANGE NUT



HITCH WEIGHT: 34 LBS.

INSTALL TIME

PROFESSIONAL: 60 MINUTES

NOVICE (DIY): 120 MINUTES

INSTALL NOTES:

-DRILLING REQUIRED

-LOWERING EXHAUST REQUIRED

INSTALLATION STEPS

- 1) Lower muffler(s) by removing the two (2) rearmost exhaust hangers and the one (1) forward exhaust hanger.
- 2) Open the trunk and remove the spare tire cover.
- 3) Roll the carpet and padding back to expose the bare metal floor of the trunk pan.
- 4) Raise hitch into position. Align the rear edge of hitch side plate flush against the frame end plate as shown and center hitch from side to side.
- 5) Using the hitch as a template mark and center punch the three (3) mounting holes on both sides.
- 6) Lower hitch. Drill 1/8 pilot holes up through bottom of trunk pan at center punched locations. Check hole alignment under vehicle and adjust if necessary. Enlarge holes to 1/2.
- 7) Position spacer plate over holes inside trunk and insert the carriage bolts through plate and trunk pan. (NOTE: Seal all holes drilled in vehicle to prevent entry of exhaust fumes into trunk.)
- 8) Raise hitch into position over carriage bolts and install flange nuts as shown.
- 9) Tighten all fasteners to 70 lb-ft.
- 10) Roll carpet and padding back in place and reinstall spare tire cover.
- 11) Reinstall the three (3) exhaust hangers removed in step 1.

PERIODICALLY CHECK THIS RECEIVER HITCH TO ENSURE THAT ALL FASTENERS ARE TIGHT AND THAT ALL STRUCTURAL COMPONENTS ARE SOUND.

Curt Manufacturing Inc., warrants this product to be free of defects in material and/or workmanship at the time of retail purchase by the original purchaser. If the product is found to be defective, Curt Manufacturing Inc., may repair or replace the product, at their option, when the product is returned, prepaid, with proof of purchase. Alteration to, misuse of, or improper installation of this product voids the warranty. Curt Manufacturing Inc.'s liability is limited to repair or replacement of products found to be defective, and specifically excludes liability for incidental or consequential loss or damage.