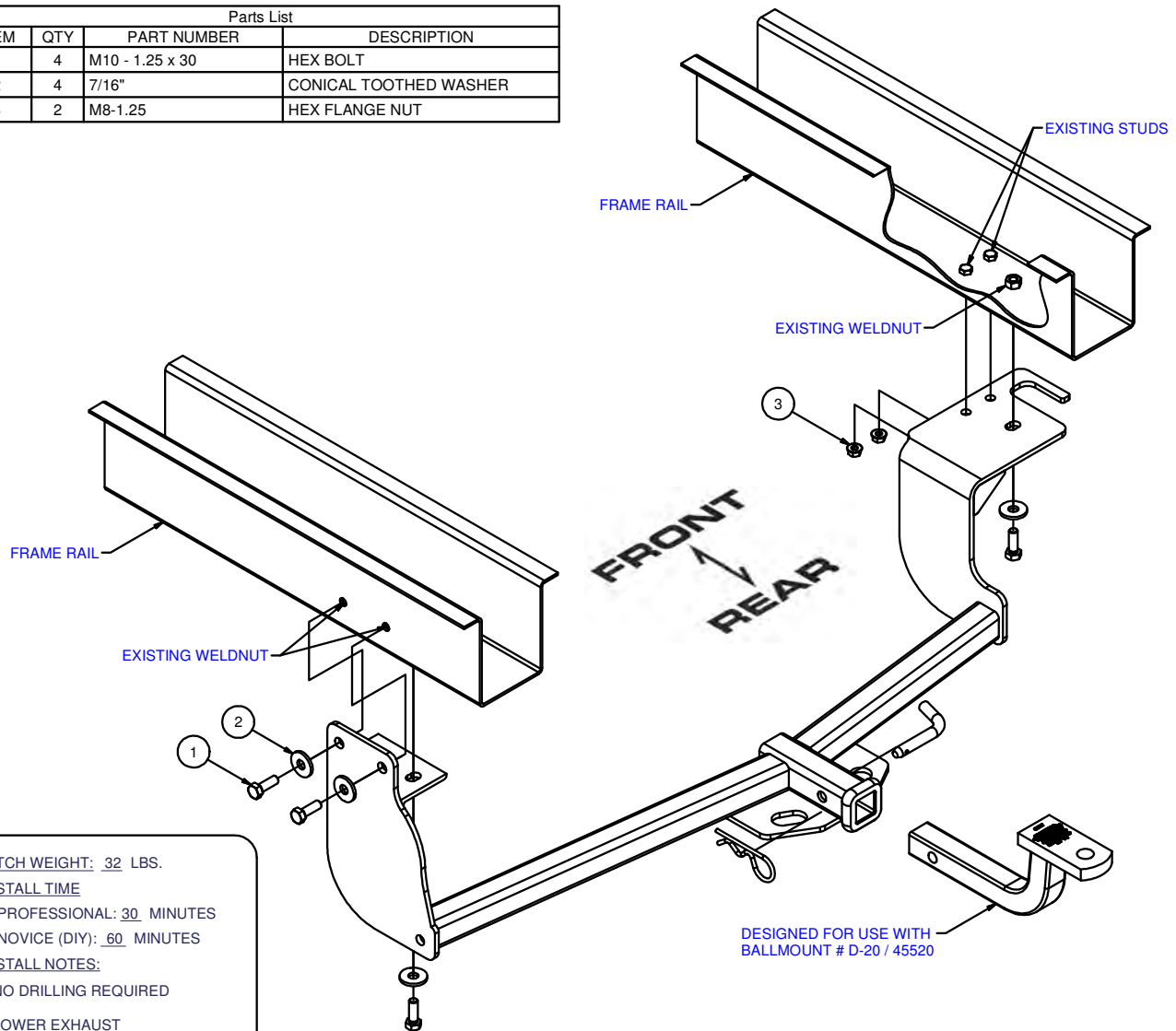


11310**02-05 HYUNDAI SONATA****10/5/2012****GROSS LOAD CAPACITY WHEN USED AS A WEIGHT CARRYING HITCH: 2,000 LBS. TRAILER WEIGHT & 200 LBS. TONGUE WEIGHT.*******DO NOT EXCEED VEHICLE MANUFACTURER'S RECOMMENDED TOWING CAPACITY.*******WARNING: ALL NON-TRAILER LOADS APPLIED TO THIS PRODUCT MUST BE SUPPORTED BY AUXILIARY STABILIZING STRAPS.****** FAILURE TO PROPERLY SUPPORT NON-TRAILER LOADS WILL VOID PRODUCT WARRANTY******HAVING INSTALLATION QUESTIONS? CALL TECHNICAL SUPPORT AT 1-800-798-0813**

Parts List			
ITEM	QTY	PART NUMBER	DESCRIPTION
1	4	M10 - 1.25 x 30	HEX BOLT
2	4	7/16"	CONICAL TOOTHED WASHER
3	2	M8-1.25	HEX FLANGE NUT

**HITCH WEIGHT: 32 LBS.****INSTALL TIME**PROFESSIONAL: 30 MINUTESNOVICE (DIY): 60 MINUTES**INSTALL NOTES:**

-NO DRILLING REQUIRED

-LOWER EXHAUST

INSTALLATION STEPS

- 1) Lower exhaust by remove (2) 8mm nuts on exhaust bracket.
(Leave rubber hanger on exhaust and return bracket to customer.)
- 2) Charcoal canister on driver side may need to be lowered on some models.
- 3) Lift hitch into position and secure with 10mm bolts and 8mm nuts as shown. (Finger tighten only.)
- 4) Starting with the 10mm bolts on the side of the frame rail, torque all 10mm fasteners to 48 lb-ft and 8mm fasteners to 23 lb-ft.
- 5) Reinstall exhaust on new hanger mount as shown.

PERIODICALLY CHECK THIS RECEIVER HITCH TO ENSURE THAT ALL FASTENERS ARE TIGHT AND THAT ALL STRUCTURAL COMPONENTS ARE SOUND.

Curt Manufacturing Inc., warrants this product to be free of defects in material and/or workmanship at the time of retail purchase by the original purchaser. If the product is found to be defective, Curt Manufacturing Inc., may repair or replace the product, at their option, when the product is returned, prepaid, with proof of purchase. Alteration to, misuse of, or improper installation of this product voids the warranty. Curt Manufacturing Inc.'s liability is limited to repair or replacement of products found to be defective, and specifically excludes liability for incidental or consequential loss or damage.