

11315

SUBARU IMPREZA WAGON, WRX WAGON, OUTBACK SPORT WAGON

9/24/2012

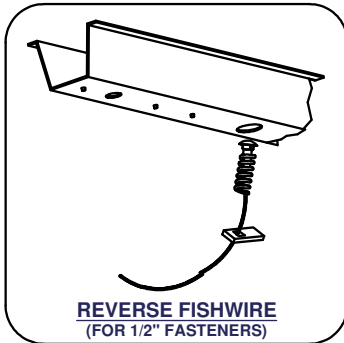
SINGLE EXHAUST

GROSS LOAD CAPACITY WHEN USED AS A WEIGHT CARRYING HITCH: 2,000 LBS. TRAILER WEIGHT & 200 LBS. TONGUE WEIGHT.
 DO NOT EXCEED VEHICLE MANUFACTURER'S RECOMMENDED TOWING CAPACITY.

| Parts List | | | |
|------------|-----|-----------------|--|
| ITEM | QTY | PART NUMBER | DESCRIPTION |
| 1 | 2 | 1/2-13 x 1 1/2 | CARRIAGE BOLT |
| 2 | 2 | CM-SP6 | .250 x 1.00 x 3.00" SQUARE HOLE SPACER |
| 3 | 2 | 7/16-14 x 1 1/2 | CARRIAGE BOLT |
| 4 | 2 | CM-SP11 | .250 x 1.00 x 2.50" SQUARE HOLE SPACER |
| 5 | 2 | CM-SP16 | .250 x 1.50 x 2.00" ROUND HOLE SPACER |
| 6 | 2 | HFN 1213 | HEX FLANGE NUT |
| 7 | 2 | 7/16-14 | HEX FLANGE NUT |
| 8 | 1 | 7_16 FISHWIRE | 7/16" FISHWIRE |
| 9 | 1 | 1_2 FISHWIRE | 1/2" FISHWIRE |

TOOLS REQUIRED

3/8" DRIVE RATCHET
 11/16" - 3/8" DRIVE SOCKET
 3/4" - 3/8" DRIVE SOCKET
 DIE GRINDER W/ RASP BIT
 3/8" DRIVE TORQUE WRENCH

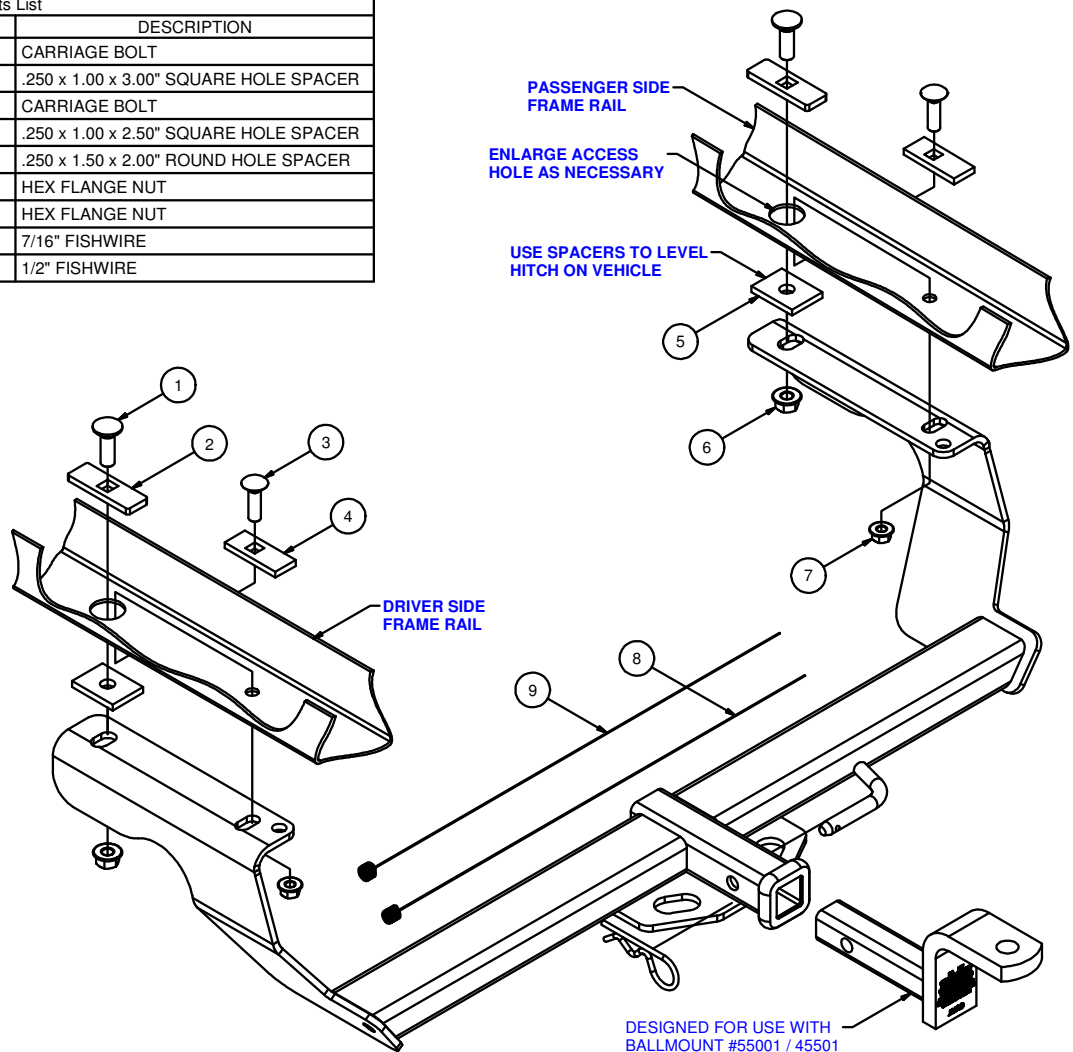


HITCH WEIGHT: 30 LBS.

INSTALL TIME: 30 MINUTES

INSTALL NOTES:

- MAY REQUIRE HOLE ENLARGEMENT
- LOWER EXHAUST
- NO DRILLING REQUIRED



INSTALLATION STEPS

- 1) Lower exhaust with by unhooking (4) rear exhaust hangers. Remove the (4) plugs in the frame rails and discard.
- 2) Fishwire 7/16" carriage bolts and spacers into position first and reverse fishwire the 1/2" carriage bolts and spacers into position afterward. (enlarge access hole as necessary)
- 3) Raise hitch and exhaust up simultaneously to the frame aligning the holes in the hitch with the bolts. Use 1.50" x 2.00" spacers to level hitch as necessary.

NOTE: Be careful not to push the bolts in the frame.

- 4) Install remaining supplied hardware as shown above.
- 5) Torque all 7/16" fasteners to 70 lb-ft, and all 1/2" fasteners to 110 lb-ft.

PERIODICALLY CHECK THIS RECEIVER HITCH TO ENSURE THAT ALL FASTENERS ARE TIGHT AND THAT ALL STRUCTURAL COMPONENTS ARE SOUND.

Curt Manufacturing Inc., warrants this product to be free of defects in material and/or workmanship at the time of retail purchase by the original purchaser. If the product is found to be defective, Curt Manufacturing Inc., may repair or replace the product, at their option, when the product is returned, prepaid, with proof of purchase. Alteration to, misuse of, or improper installation of this product voids the warranty. Curt Manufacturing Inc.'s liability is limited to repair or replacement of products found to be defective, and specifically excludes liability for incidental or consequential loss or damage.