

**11326****SAAB 9-3 (SINGLE EXHAUST MODELS)**

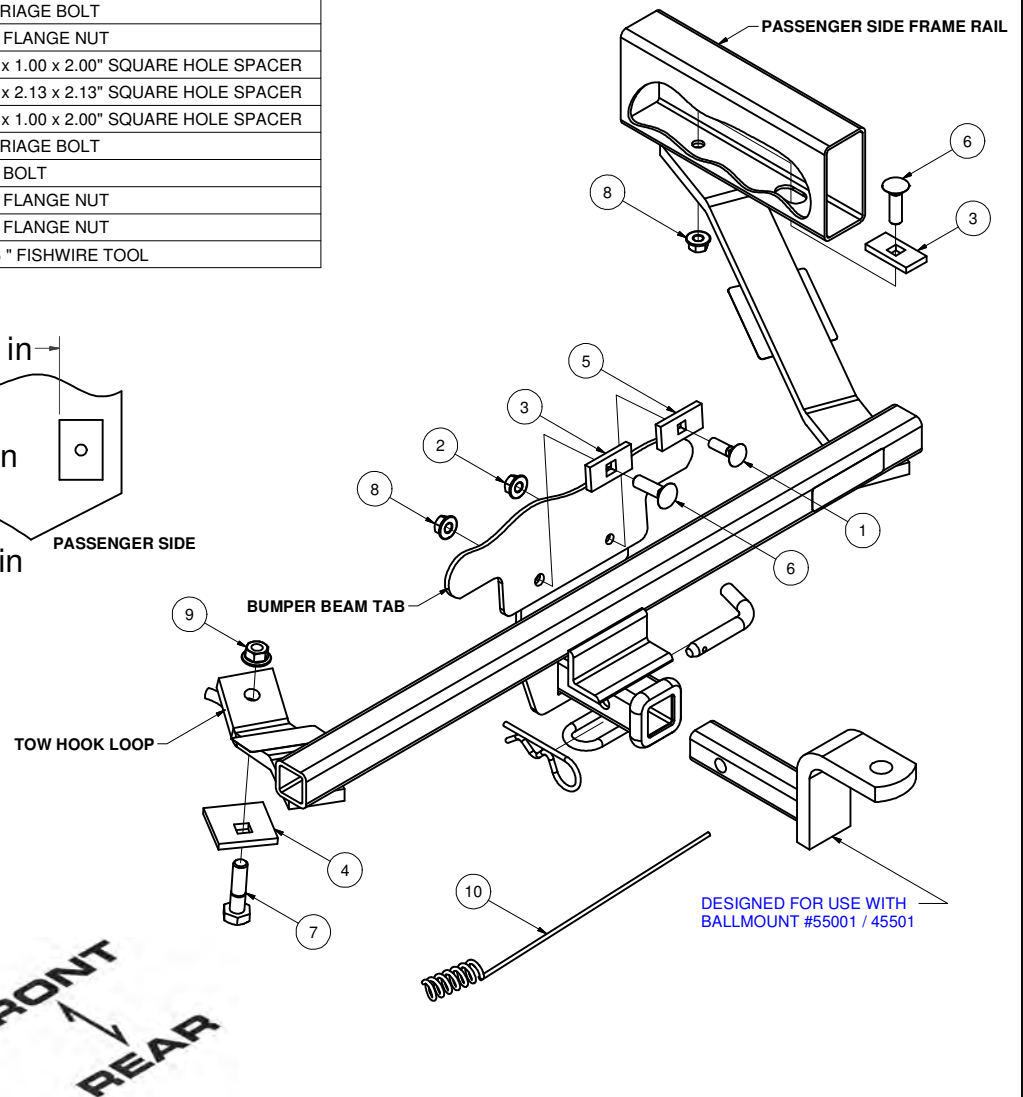
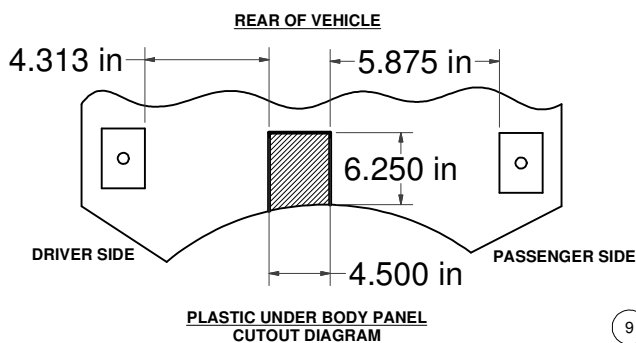
10/5/2012

GROSS LOAD CAPACITY WHEN USED AS A WEIGHT CARRYING HITCH: 2,000 LBS. TRAILER WEIGHT &amp; 200 LBS. TONGUE WEIGHT.

**\*\*\*DO NOT EXCEED VEHICLE MANUFACTURER'S RECOMMENDED TOWING CAPACITY.\*\*\*****WARNING: ALL NON-TRAILER LOADS APPLIED TO THIS PRODUCT MUST BE SUPPORTED BY AUXILIARY STABILIZING STRAPS.****\*\* FAILURE TO PROPERLY SUPPORT NON-TRAILER LOADS WILL VOID PRODUCT WARRANTY\*\***

HAVING INSTALLATION QUESTIONS? CALL TECHNICAL SUPPORT AT 1-800-798-0813

Parts List			
ITEM	QTY	PART NUMBER	DESCRIPTION
1	1	3/8-16 x 1 1/4 LG.	CARRIAGE BOLT
2	1	3/8-16	HEX FLANGE NUT
3	2	CM-SP7	.250 x 1.00 x 2.00" SQUARE HOLE SPACER
4	1	CM-SP48	.250 x 2.13 x 2.13" SQUARE HOLE SPACER
5	1	CM-SP18	.250 x 1.00 x 2.00" SQUARE HOLE SPACER
6	2	7/16-14 x 1 1/2	CARRIAGE BOLT
7	1	1/2-13 x 2"	HEX BOLT
8	2	7/16-14	HEX FLANGE NUT
9	1	HFN 1213	HEX FLANGE NUT
10	1	CM-438-FW	7/16 " FISHWIRE TOOL



HITCH WEIGHT: 26 LBS.

**INSTALL TIME**

PROFESSIONAL: 60 MINUTES

NOVICE (DIY): 120 MINUTES

**INSTALL NOTES:**

- NO DRILLING REQUIRED
- LOWER AND TRIM FASCIA

**INSTALLATION STEPS**

- 1) Remove 2 fascia nuts from under body panel and lower panel from vehicle.
- 2) Trim under body panel as shown above.
- 3) Fishwire 7/16" carriage bolt and spacer into the passenger side frame.
- 4) Use 3/8" and 7/16" fasteners to secure the center of the hitch to the bumper beam tab.
- 5) Fasten driver side arm to top of tow loop using 1/2" bolt, spacer, and flange nut.
- 6) Torque all 1/2" fasteners to 110 lb-ft, all 7/16" fasteners to 70 lb-ft, and all 3/8" fasteners to 45 lb-ft.  
**PERIODICALLY CHECK THIS RECEIVER HITCH TO ENSURE THAT ALL FASTENERS ARE TIGHT AND THAT ALL STRUCTURAL COMPONENTS ARE SOUND.**

Curt Manufacturing Inc., warrants this product to be free of defects in material and/or workmanship at the time of retail purchase by the original purchaser. If the product is found to be defective, Curt Manufacturing Inc., may repair or replace the product, at their option, when the product is returned, prepaid, with proof of purchase. Alteration to, misuse of, or improper installation of this product voids the warranty. Curt Manufacturing Inc.'s liability is limited to repair or replacement of products found to be defective, and specifically excludes liability for incidental or consequential loss or damage.