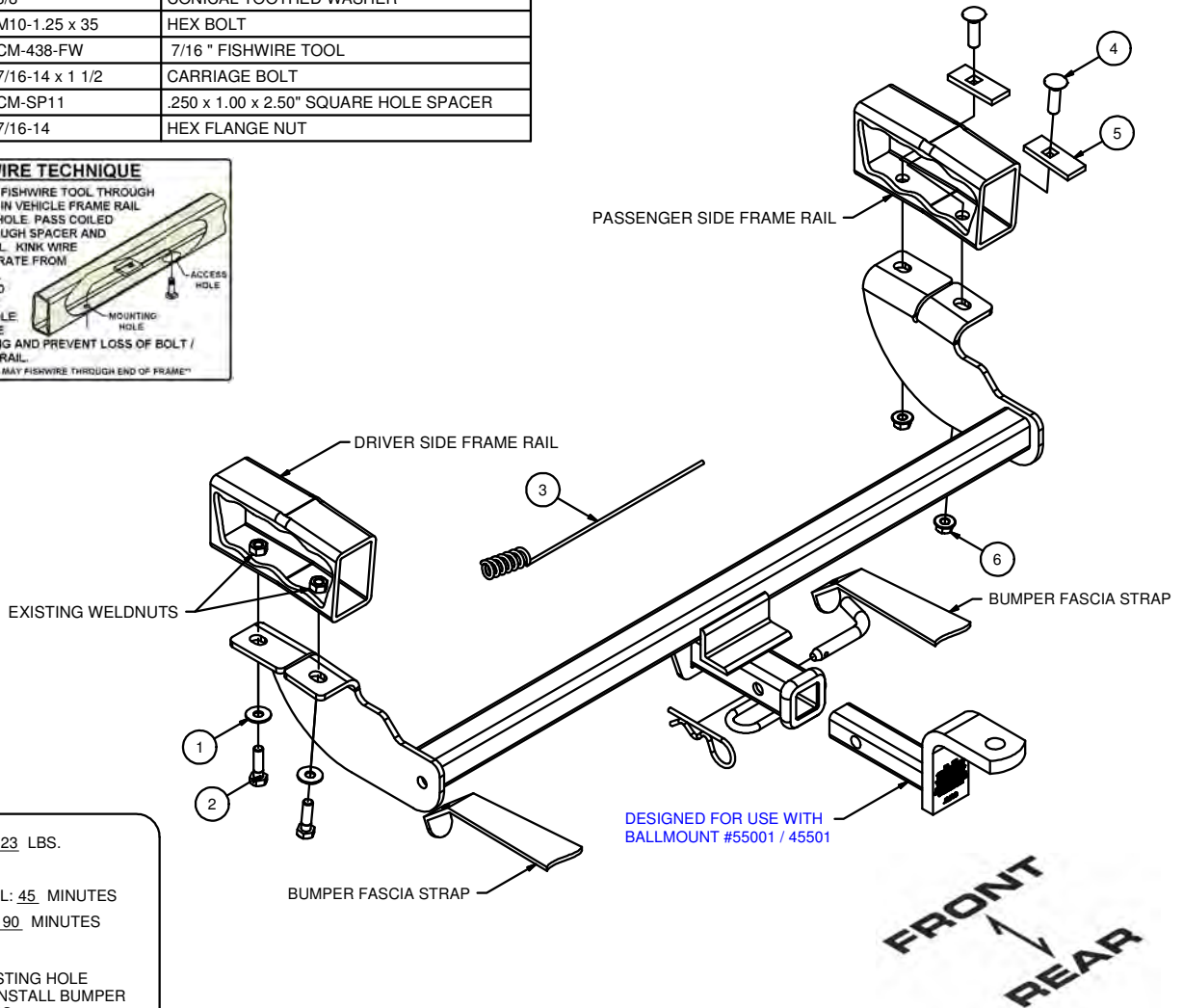
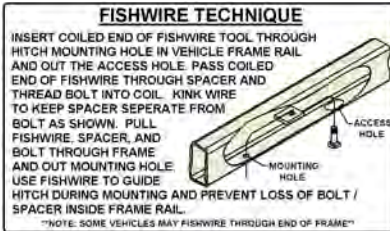


11330**SCION tC****10/15/2012****GROSS LOAD CAPACITY WHEN USED AS A WEIGHT CARRYING HITCH: 2,000 LBS. TRAILER WEIGHT & 200 LBS. TONGUE WEIGHT.*******DO NOT EXCEED VEHICLE MANUFACTURER'S RECOMMENDED TOWING CAPACITY.*******WARNING: ALL NON-TRAILER LOADS APPLIED TO THIS PRODUCT MUST BE SUPPORTED BY AUXILIARY STABILIZING STRAPS.****** FAILURE TO PROPERLY SUPPORT NON-TRAILER LOADS WILL VOID PRODUCT WARRANTY******HAVING INSTALLATION QUESTIONS? CALL TECHNICAL SUPPORT AT 1-800-798-0813**

Parts List				
ITEM	QTY	PART NUMBER	DESCRIPTION	
1	2	3/8"	CONICAL TOOTHED WASHER	
2	2	M10-1.25 x 35	HEX BOLT	
3	1	CM-438-FW	7/16 " FISHWIRE TOOL	
4	2	7/16-14 x 1 1/2	CARRIAGE BOLT	
5	2	CM-SP11	.250 x 1.00 x 2.50" SQUARE HOLE SPACER	
6	2	7/16-14	HEX FLANGE NUT	

**HITCH WEIGHT: 23 LBS.****INSTALL TIME**PROFESSIONAL: 45 MINUTESNOVICE (DIY): 90 MINUTES**INSTALL NOTES:**

- ENLARGE EXISTING HOLE
- REMOVE / REINSTALL BUMPER FASCIA STRAPS

INSTALLATION STEPS

1. Remove plastic push fastener from rear bumper fascia straps. (Reuse later.)
2. Enlarge 3/4" access hole on passenger side.
3. Fishwire 7/16" carriage bolts and square hole spacers into passenger side frame rail as shown.
4. Raise hitch into position and secure with hex bolts and conical washers through driver side weldnuts. Install flange nuts onto carriage bolts on the passenger side.
5. Reinstall rear bumper fascia straps removed in step 1.
6. Torque all 7/16" fasteners to 70 lb-ft and 10 mm fasteners to 48 lb-ft.

PERIODICALLY CHECK THIS RECEIVER HITCH TO ENSURE THAT ALL FASTENERS ARE TIGHT AND THAT ALL STRUCTURAL COMPONENTS ARE SOUND.

Curt Manufacturing Inc., warrants this product to be free of defects in material and/or workmanship at the time of retail purchase by the original purchaser. If the product is found to be defective, Curt Manufacturing Inc., may repair or replace the product, at their option, when the product is returned, prepaid, with proof of purchase. Alteration to, misuse of, or improper installation of this product voids the warranty. Curt Manufacturing Inc.'s liability is limited to repair or replacement of products found to be defective, and specifically excludes liability for incidental or consequential loss or damage.