

11331**CHEVROLET AVEO SEDAN**

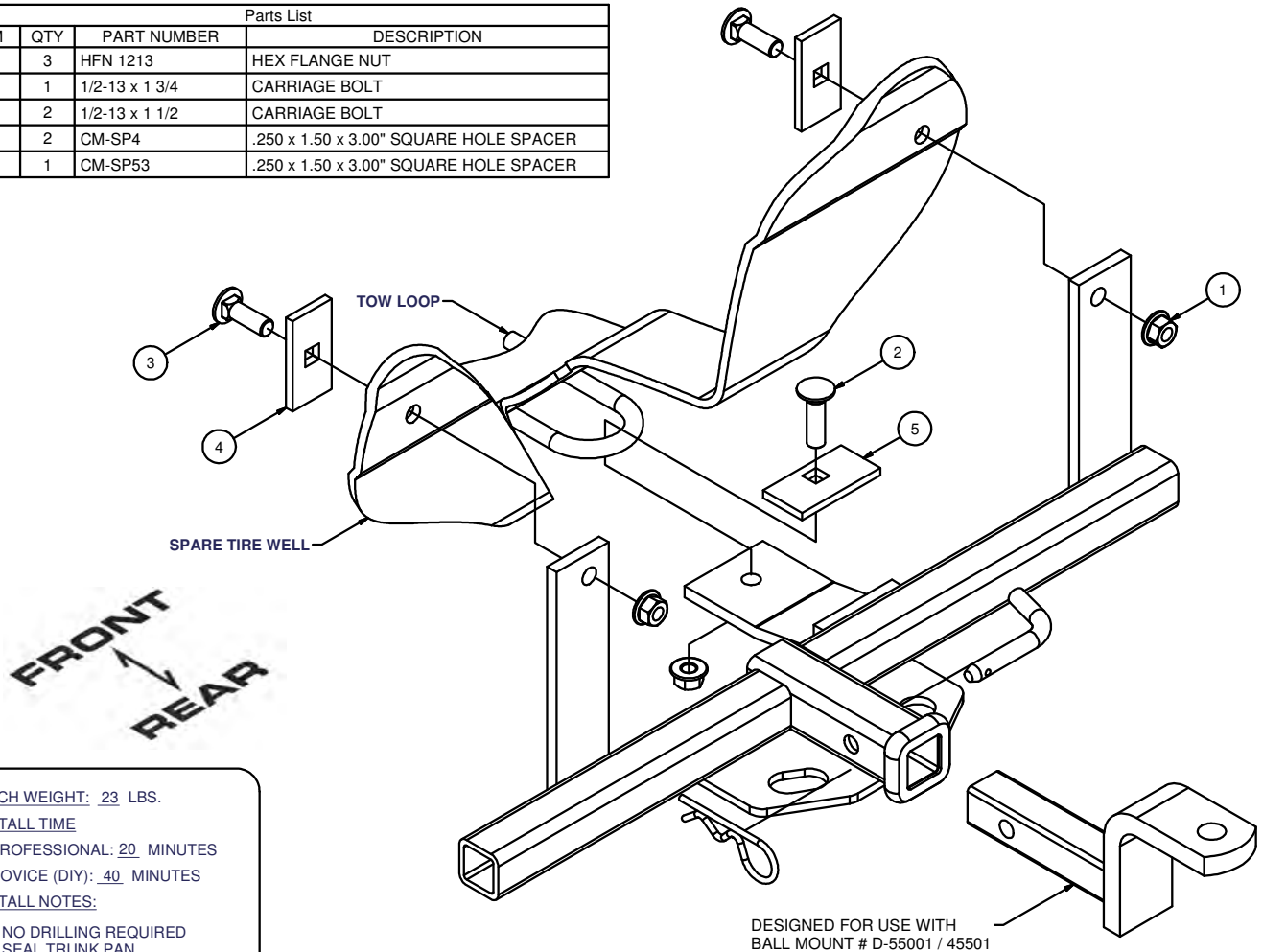
10/8/2012

GROSS LOAD CAPACITY WHEN USED AS A WEIGHT CARRYING HITCH: 1,000 LBS. TRAILER WEIGHT & 100 LBS. TONGUE WEIGHT.

*****DO NOT EXCEED VEHICLE MANUFACTURER'S RECOMMENDED TOWING CAPACITY.*******WARNING: ALL NON-TRAILER LOADS APPLIED TO THIS PRODUCT MUST BE SUPPORTED BY AUXILIARY STABILIZING STRAPS.****** FAILURE TO PROPERLY SUPPORT NON-TRAILER LOADS WILL VOID PRODUCT WARRANTY****

HAVING INSTALLATION QUESTIONS? CALL TECHNICAL SUPPORT AT 1-800-798-0813

Parts List			
ITEM	QTY	PART NUMBER	DESCRIPTION
1	3	HFN 1213	HEX FLANGE NUT
2	1	1/2-13 x 1 3/4	CARRIAGE BOLT
3	2	1/2-13 x 1 1/2	CARRIAGE BOLT
4	2	CM-SP4	.250 x 1.50 x 3.00" SQUARE HOLE SPACER
5	1	CM-SP53	.250 x 1.50 x 3.00" SQUARE HOLE SPACER



HITCH WEIGHT: 23 LBS.

INSTALL TIME

PROFESSIONAL: 20 MINUTES

NOVICE (DIY): 40 MINUTES

INSTALL NOTES:

- NO DRILLING REQUIRED
- SEAL TRUNK PAN

INSTALLATION STEPS

- 1) Remove trunk insert.
- 2) Remove (2) trunk body plugs.
- 3) Place 1 3/4" carriage bolt into large square hole spacer.
- 4) Fit carriage bolt and spacer into tow loop (as shown).
- 5) Lift hitch into position and fasten to tow loop using 1/2" flange nut.
- 6) Push carriage bolts into spacer and through the trunk pan. Fasten hitch to bolts with flange nuts.
- 7) Torque all 1/2" fasteners to 110 lb-ft.
- 8) Seal trunk, using silicone caulk around interior flange nuts.

PERIODICALLY CHECK THIS RECEIVER HITCH TO ENSURE THAT ALL FASTENERS ARE TIGHT AND THAT ALL STRUCTURAL COMPONENTS ARE SOUND.

Curt Manufacturing Inc., warrants this product to be free of defects in material and/or workmanship at the time of retail purchase by the original purchaser. If the product is found to be defective, Curt Manufacturing Inc., may repair or replace the product, at their option, when the product is returned, prepaid, with proof of purchase. Alteration to, misuse of, or improper installation of this product voids the warranty. Curt Manufacturing Inc.'s liability is limited to repair or replacement of products found to be defective, and specifically excludes liability for incidental or consequential loss or damage.