

11336**ACURA RL**

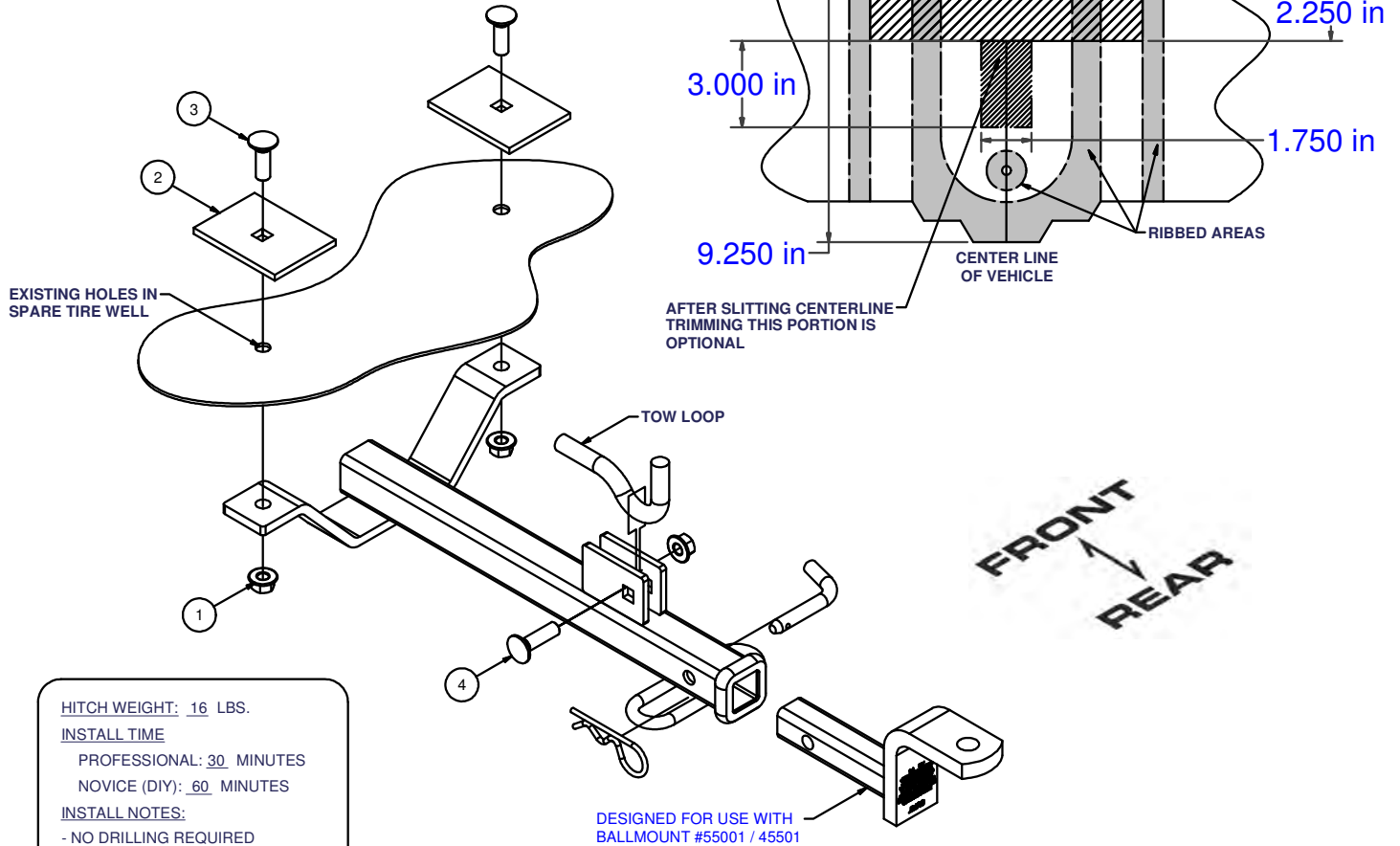
11/12/2012

GROSS LOAD CAPACITY WHEN USED AS A WEIGHT CARRYING HITCH: 2,000 LBS. TRAILER WEIGHT & 200 LBS. TONGUE WEIGHT.

*****DO NOT EXCEED VEHICLE MANUFACTURER'S RECOMMENDED TOWING CAPACITY.*******WARNING: ALL NON-TRAILER LOADS APPLIED TO THIS PRODUCT MUST BE SUPPORTED BY AUXILIARY STABILIZING STRAPS.****** FAILURE TO PROPERLY SUPPORT NON-TRAILER LOADS WILL VOID PRODUCT WARRANTY****

HAVING INSTALLATION QUESTIONS? CALL TECHNICAL SUPPORT AT 1-800-798-0813

Parts List			
ITEM	QTY	PART NUMBER	DESCRIPTION
1	3	HFN 1213	HEX FLANGE NUT
2	2	CM-SP28	.250 x 3.00 x 4.00" SQUARE HOLE SPACER
3	2	1/2-13 x 1 1/2	CARRIAGE BOLT
4	1	1/2-13 x 1 3/4	CARRIAGE BOLT



HITCH WEIGHT: 16 LBS.

INSTALL TIME

PROFESSIONAL: 30 MINUTES

NOVICE (DIY): 60 MINUTES

INSTALL NOTES:

- NO DRILLING REQUIRED
- REMOVE/INSTALL SPARE TIRE
- REMOVE PLASTIC TRUNK SHIELD

INSTALLATION STEPS

1. Remove spare tire, plastic shield from trunk, bumper fascia tabs, and rubber trunk plugs.
2. Using silicone caulk, place a bead around interior holes in trunk to prevent intrusion of exhaust fumes and water.
3. Place 1 1/2" carriage bolts and large spacers into existing trunk holes.
4. Raise hitch into position, sandwiching the tow loop between both mounting tabs on hitch. Install all hex nuts as shown.
5. Torque all 1/2" fasteners to 110 lb-ft.

PERIODICALLY CHECK THIS RECEIVER HITCH TO ENSURE THAT ALL FASTENERS ARE TIGHT AND THAT ALL STRUCTURAL COMPONENTS ARE SOUND.

Curt Manufacturing Inc., warrants this product to be free of defects in material and/or workmanship at the time of retail purchase by the original purchaser. If the product is found to be defective, Curt Manufacturing Inc., may repair or replace the product, at their option, when the product is returned, prepaid, with proof of purchase. Alteration to, misuse of, or improper installation of this product voids the warranty. Curt Manufacturing Inc.'s liability is limited to repair or replacement of products found to be defective, and specifically excludes liability for incidental or consequential loss or damage.

249336 / 247336