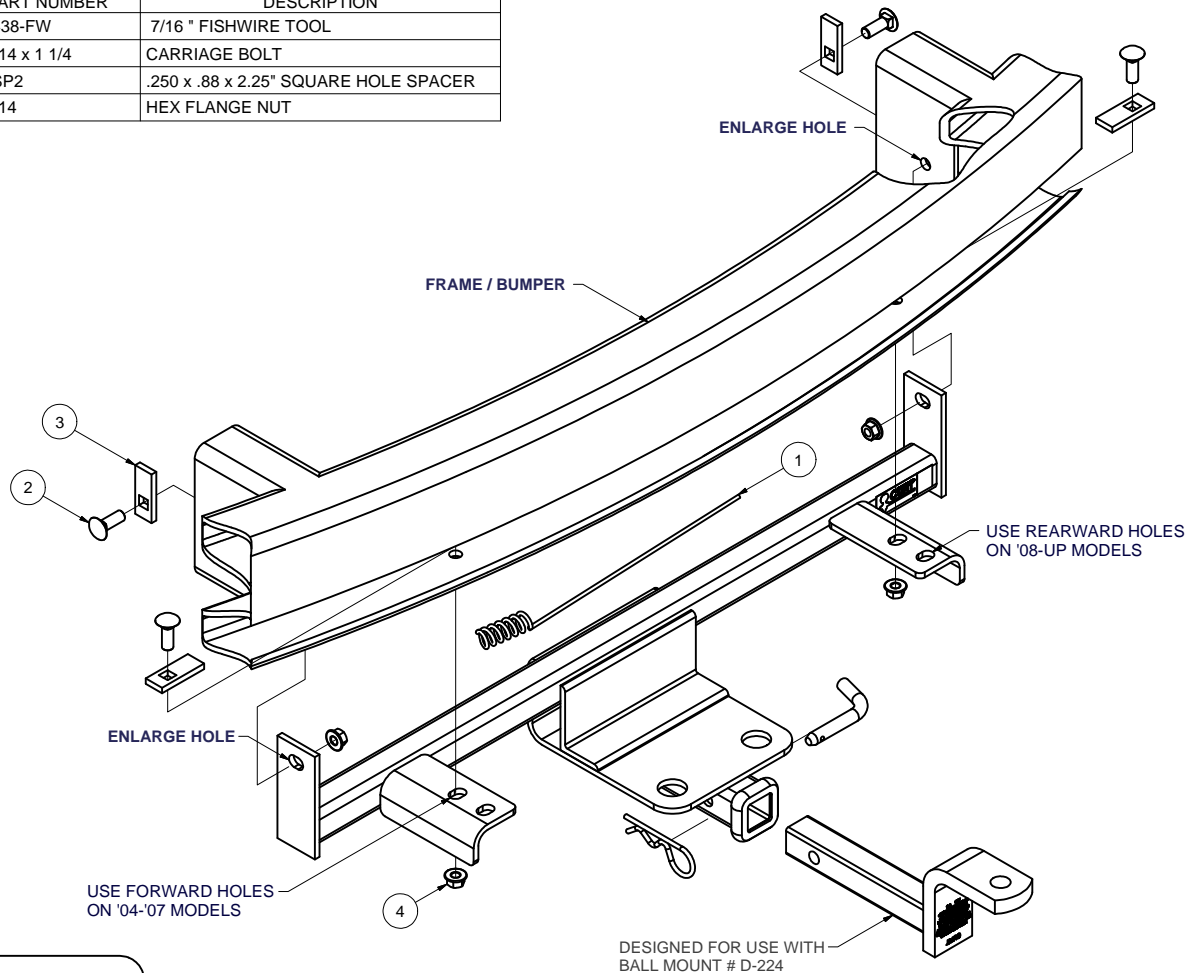


11384 MAZDA 3 SEDAN AND HATCHBACK

GROSS LOAD CAPACITY WHEN USED AS A WEIGHT CARRYING HITCH: 2,000 LBS. TRAILER WEIGHT & 200 LBS. TONGUE WEIGHT.
DO NOT EXCEED VEHICLE MANUFACTURER'S RECOMMENDED TOWING CAPACITY.

| Parts List | | | |
|------------|-----|-----------------|---------------------------------------|
| ITEM | QTY | PART NUMBER | DESCRIPTION |
| 1 | 1 | CM-438-FW | 7/16" FISHWIRE TOOL |
| 2 | 4 | 7/16-14 x 1 1/4 | CARRIAGE BOLT |
| 3 | 4 | CM-SP2 | .250 x .88 x 2.25" SQUARE HOLE SPACER |
| 4 | 4 | 7/16-14 | HEX FLANGE NUT |



HITCH WEIGHT: 27 LBS.
INSTALL TIME: 25 MINUTES
INSTALL NOTES:
- ENLARGE HOLES

INSTALLATION STEPS

- 1) Remove the two plastic fasteners from the lower fascia.
- 2) Enlarge the four attachment holes using 1/2" drill bit.
- 3) Fishwire bolts and square hole spacers into place through the end of the frame.
- 4) Raise hitch into position and snug fasteners.
- 5) Fishwire remaining bolts and spacers into position through the end of the inner bumper structure.
- 6) Reinstall plastic fascia fasteners.
- 7) Torque all fasteners to 50 lb - ft.

PERIODICALLY CHECK THIS RECEIVER HITCH TO ENSURE THAT ALL FASTENERS ARE TIGHT AND THAT ALL STRUCTURAL COMPONENTS ARE SOUND.