

**11427****TOYOTA AVALON**

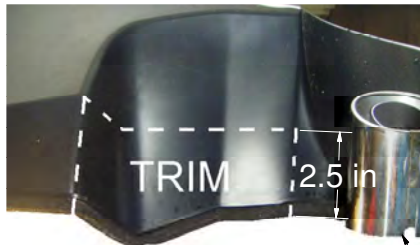
9/24/2012

GROSS LOAD CAPACITY WHEN USED AS A WEIGHT CARRYING HITCH: 2,000 LBS. TRAILER WEIGHT &amp; 200 LBS. TONGUE WEIGHT.

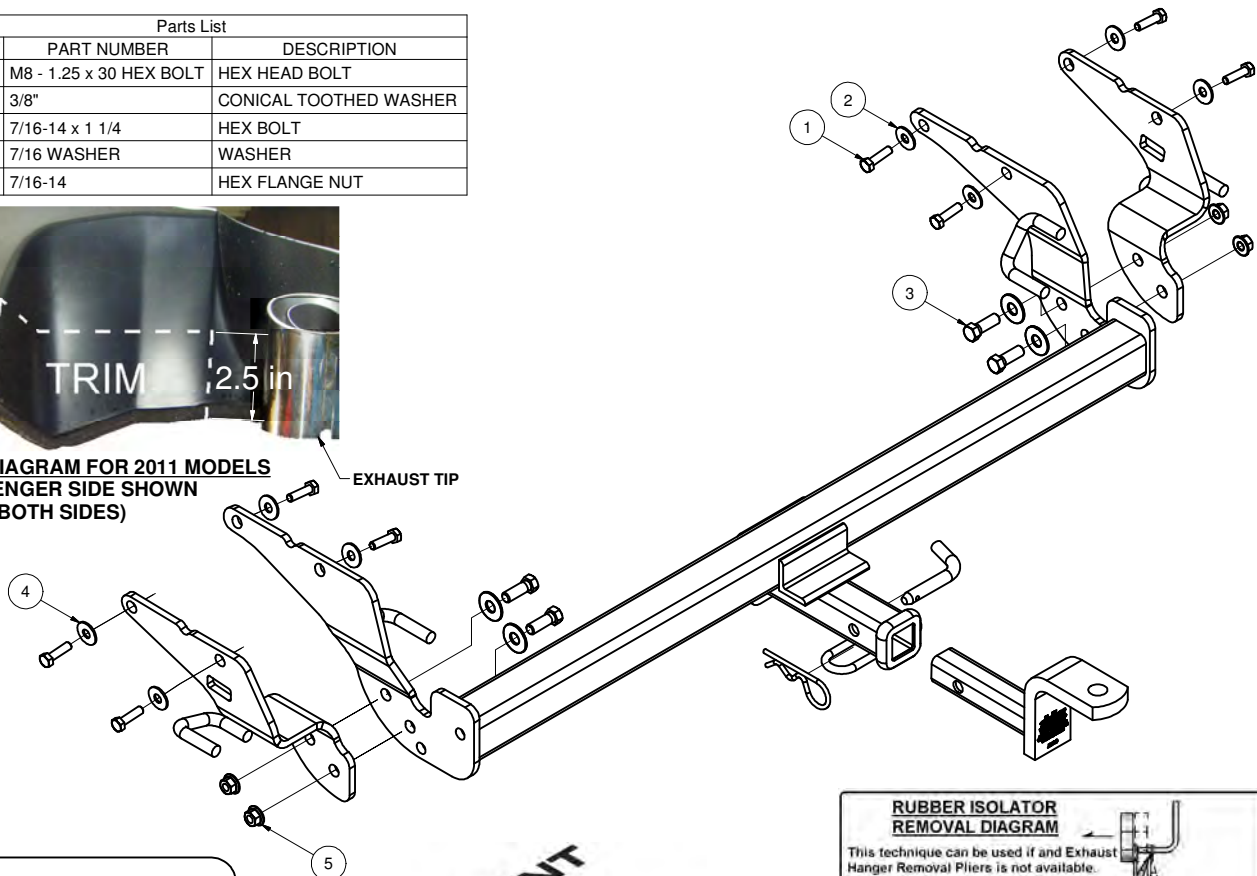
**\*\*\*DO NOT EXCEED VEHICLE MANUFACTURER'S RECOMMENDED TOWING CAPACITY.\*\*\*****WARNING: ALL NON-TRAILER LOADS APPLIED TO THIS PRODUCT MUST BE SUPPORTED BY AUXILIARY STABILIZING STRAPS.****\*\* FAILURE TO PROPERLY SUPPORT NON-TRAILER LOADS WILL VOID PRODUCT WARRANTY\*\***

HAVING INSTALLATION QUESTIONS? CALL TECHNICAL SUPPORT AT 1-800-798-0813

Parts List			
ITEM	QTY	PART NUMBER	DESCRIPTION
1	8	M8 - 1.25 x 30 HEX BOLT	HEX HEAD BOLT
2	8	3/8"	CONICAL TOOTHED WASHER
3	4	7/16-14 x 1 1/4	HEX BOLT
4	4	7/16 WASHER	WASHER
5	4	7/16-14	HEX FLANGE NUT



**TRIM DIAGRAM FOR 2011 MODELS  
(PASSENGER SIDE SHOWN  
- TRIM BOTH SIDES)**



**FRONT**  
↑  
**REAR**

HITCH WEIGHT: 34 LBS.

**INSTALL TIME**

PROFESSIONAL: 60 MINUTES

NOVICE (DIY): 60 MINUTES

**INSTALL NOTES:**

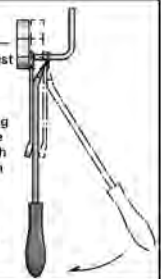
- NO DRILLING REQUIRED
- LOWER REAR EXHAUST HANGERS
- REMOVE/RE-INSTALL HEAT SHIELDS AND FASCIA CLIPS
- MAY REQUIRE FASCIA TRIMMING

**RUBBER ISOLATOR  
REMOVAL DIAGRAM**

This technique can be used if and Exhaust Hanger Removal Pliers is not available.

Using a 5/8" open end wrench, slide the wrench up to the rubber isolator, cradling the hanger rod as shown. Next place the flat edge of a pry bar between the wrench and the hanger stop or hanger rod. Then simply rotate the pry bar toward the wrench to remove the rubber isolator.

Note: Using a spray lubricant or soapy water on the hanger rod and the rubber isolator helps removal.

**INSTALLATION STEPS**

1. Remove rearmost exhaust hanger brackets from vehicle and return to owner.
2. Remove heat shields and bumper fascia clips.
3. On 2011 and newer models, the fascia must be trimmed on both sides as shown above.
4. Raise hitch into position and loosely install fasteners into each frame rail.
5. Install driver side and passenger side hitch brackets into place using supplied fasteners as shown.
6. Torque all 7/16" fasteners to 70 ft-lbs, and all 8mm fasteners to 23 ft-lbs.
7. Re-install heat shields and bumper fascia clips removed in step (2).
8. Attach rubber exhaust absorbers onto exhaust brackets as shown.

**PERIODICALLY CHECK THIS RECEIVER HITCH TO ENSURE THAT ALL FASTENERS  
ARE TIGHT AND THAT ALL STRUCTURAL COMPONENTS ARE SOUND.**

Curt Manufacturing Inc., warrants this product to be free of defects in material and/or workmanship at the time of retail purchase by the original purchaser. If the product is found to be defective, Curt Manufacturing Inc., may repair or replace the product, at their option, when the product is returned, prepaid, with proof of purchase. Alteration to, misuse of, or improper installation of this product voids the warranty. Curt Manufacturing Inc.'s liability is limited to repair or replacement of products found to be defective, and specifically excludes liability for incidental or consequential loss or damage.