

**11429****KIA SPECTRA 5**

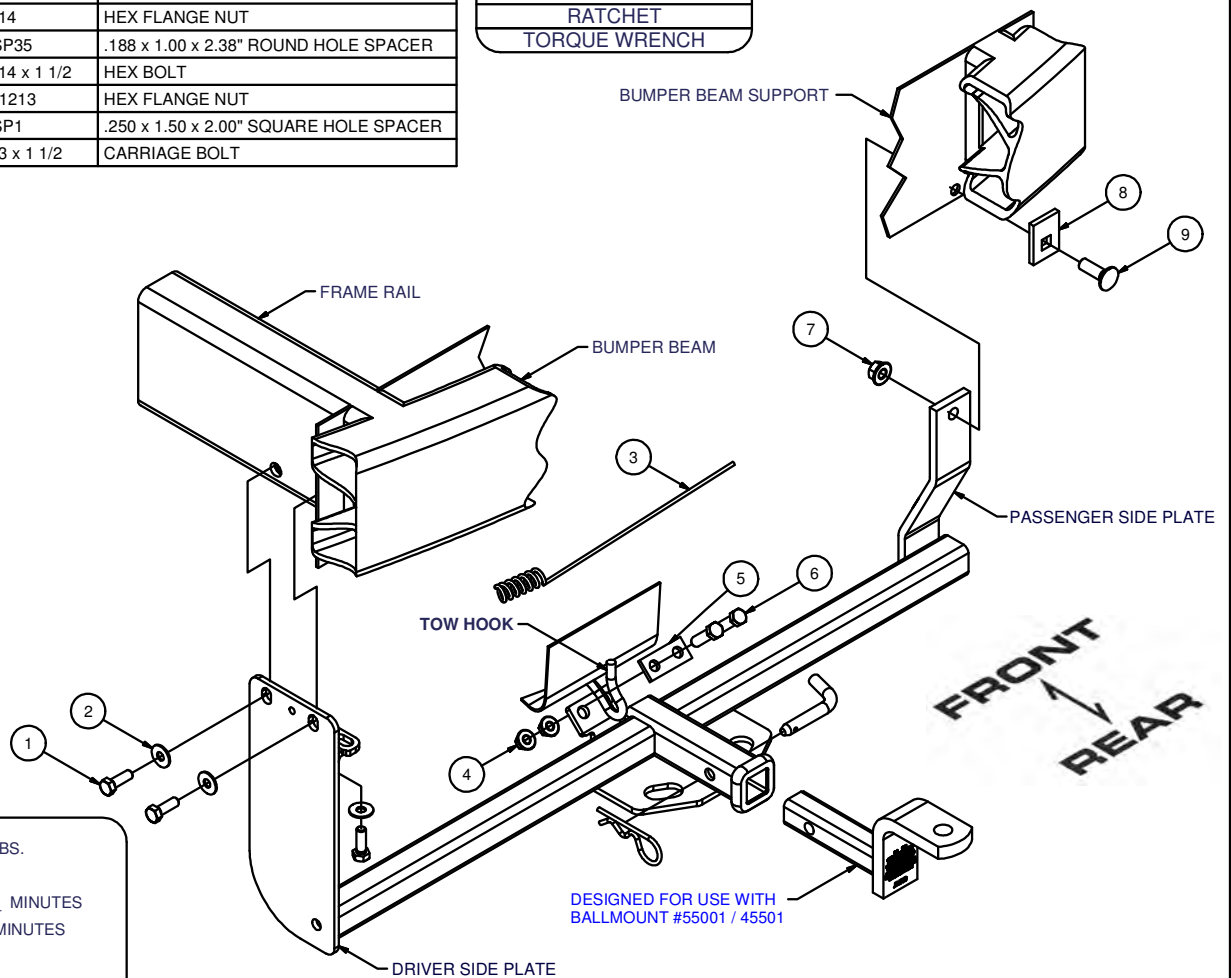
10/12/2012

GROSS LOAD CAPACITY WHEN USED AS A WEIGHT CARRYING HITCH: 2,000 LBS. TRAILER WEIGHT &amp; 200 LBS. TONGUE WEIGHT.

**\*\*\*DO NOT EXCEED VEHICLE MANUFACTURER'S RECOMMENDED TOWING CAPACITY.\*\*\*****WARNING: ALL NON-TRAILER LOADS APPLIED TO THIS PRODUCT MUST BE SUPPORTED BY AUXILIARY STABILIZING STRAPS.****\*\* FAILURE TO PROPERLY SUPPORT NON-TRAILER LOADS WILL VOID PRODUCT WARRANTY\*\*****HAVING INSTALLATION QUESTIONS? CALL TECHNICAL SUPPORT AT 1-800-798-0813**

Parts List			
ITEM	QTY	PART NUMBER	DESCRIPTION
1	3	M10 - 1.25 x 30	HEX BOLT
2	3	3/8"	CONICAL TOOTHED WASHER
3	1	1/2"	FISHWIRE TOOL
4	2	7/16-14	HEX FLANGE NUT
5	1	CM-SP35	.188 x 1.00 x 2.38" ROUND HOLE SPACER
6	2	7/16-14 x 1 1/2	HEX BOLT
7	1	HFN 1213	HEX FLANGE NUT
8	1	CM-SP1	.250 x 1.50 x 2.00" SQUARE HOLE SPACER
9	1	1/2-13 x 1 1/2	CARRIAGE BOLT

TOOLS REQUIRED
14 & 17mm SOCKETS
11/16" SOCKET
5/8" & 3/4" WRENCHES
12" EXTENSION
RATCHET
TORQUE WRENCH



HITCH WEIGHT: 26 LBS.

**INSTALL TIME**

PROFESSIONAL: 30 MINUTES

NOVICE (DIY): 60 MINUTES

**INSTALL NOTES:**

-NO DRILLING REQUIRED

-FISHWIRE HARDWARE

**INSTALLATION STEPS**

- 1) Remove the existing M10 bolts (2) from the driver side frame rail.
- 2) Raise the hitch into position and attach it to the tow hook using the 7/16" hex bolts, spacer and flange nuts as shown.
- 3) Secure driver side plate using the provided M10 bolts and conical toothed washers.
- 4) Secure the passenger side plate using the 1/2" carriage bolt, spacer and flange nuts as shown.  
(Note: If needed, use the fishwire for ease of installation.)
- 5) Torque all M10 fasteners to 48 lb-ft, all 7/16" fasteners to 70 lb-ft, and all 1/2" fasteners to 110 lb-ft.

**PERIODICALLY CHECK THIS RECEIVER HITCH TO ENSURE THAT ALL FASTENERS ARE TIGHT AND THAT ALL STRUCTURAL COMPONENTS ARE SOUND.**

Curt Manufacturing Inc., warrants this product to be free of defects in material and/or workmanship at the time of retail purchase by the original purchaser. If the product is found to be defective, Curt Manufacturing Inc., may repair or replace the product, at their option, when the product is returned, prepaid, with proof of purchase. Alteration to, misuse of, or improper installation of this product voids the warranty. Curt Manufacturing Inc.'s liability is limited to repair or replacement of products found to be defective, and specifically excludes liability for incidental or consequential loss or damage.