

11443**SUZUKI SX4**

7/1/2013

GROSS LOAD CAPACITY WHEN USED AS A WEIGHT CARRYING HITCH: 2,000 LBS. TRAILER WEIGHT & 200 LBS. TONGUE WEIGHT.

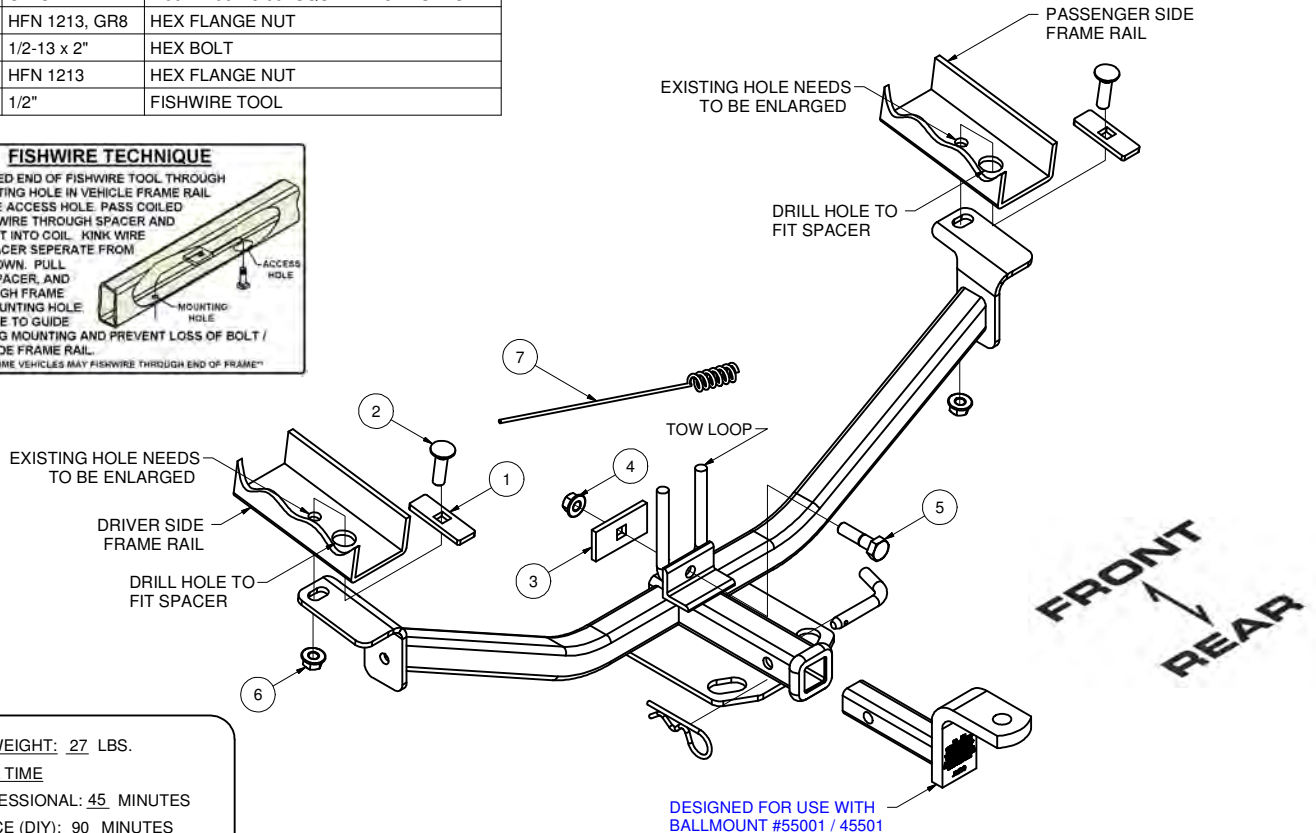
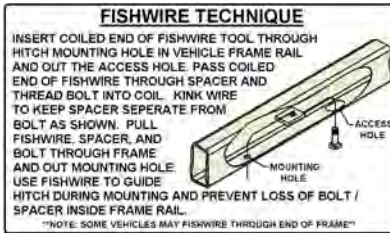
*****DO NOT EXCEED VEHICLE MANUFACTURER'S RECOMMENDED TOWING CAPACITY.*****

WARNING: ALL NON-TRAILER LOADS APPLIED TO THIS PRODUCT MUST BE SUPPORTED BY AUXILIARY STABILIZING STRAPS.

**** FAILURE TO PROPERLY SUPPORT NON-TRAILER LOADS WILL VOID PRODUCT WARRANTY****

HAVING INSTALLATION QUESTIONS? CALL TECHNICAL SUPPORT AT 1-800-798-0813

Parts List			
ITEM	QTY	PART NUMBER	DESCRIPTION
1	2	CM-SP6	.250 x 1.00 x 3.00" SQUARE HOLE SPACER
2	2	1/2-13 x 1 3/4	CARRIAGE BOLT
3	1	CM-SP4	.250 x 1.50 x 3.00" SQUARE HOLE SPACER
4	1	HFN 1213, GR8	HEX FLANGE NUT
5	1	1/2-13 x 2"	HEX BOLT
6	2	HFN 1213	HEX FLANGE NUT
7	1	1/2"	FISHWIRE TOOL



HITCH WEIGHT: 27 LBS.

INSTALL TIME

PROFESSIONAL: 45 MINUTES

NOVICE (DIY): 90 MINUTES

INSTALL NOTES:

- DRILL ACCESS HOLES
- ENLARGE HOLES
- LOWER EXHAUST

INSTALLATION STEPS

- 1) Lower last three exhaust hangers on vehicle for ease of installation.
- 2) Drill 1" access hole in frame, both sides, for fishwiring. Holes drilled should be about 1" - 1 1/2" from rear most existing holes in frame to be covered up by hitch sideplates.
- 3) Enlarge the last hole on both frame rails to fit a 1/2" bolt.
- 4) Fishwire 1/2" carriage bolts with SP6 spacers into enlarged holes in frame rail as shown, both sides.
- 5) Raise hitch into position and tighten sideplates with 1/2" flange nuts.
- 6) Attach 1/2" carriage bolt through mounting angle, then tighten to the SP4 spacer and tow hook using a 1/2" hex flange nut.
- 7) Torque all 1/2" hardware to 110 ft-lbs.
- 8) Reattach all three exhaust hangers.

PERIODICALLY CHECK THIS RECEIVER HITCH TO ENSURE THAT ALL FASTENERS ARE TIGHT AND THAT ALL STRUCTURAL COMPONENTS ARE SOUND.

Curt Manufacturing Inc., warrants this product to be free of defects in material and/or workmanship at the time of retail purchase by the original purchaser. If the product is found to be defective, Curt Manufacturing Inc., may repair or replace the product, at their option, when the product is returned, prepaid, with proof of purchase. Alteration to, misuse of, or improper installation of this product voids the warranty. Curt Manufacturing Inc.'s liability is limited to repair or replacement of products found to be defective, and specifically excludes liability for incidental or consequential loss or damage.