

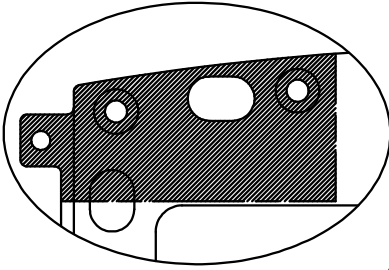
**11450****04-06 KIA AMANTI**

11/30/2012

GROSS LOAD CAPACITY WHEN USED AS A WEIGHT CARRYING HITCH: 2,000 LBS. TRAILER WEIGHT &amp; 200 LBS. TONGUE WEIGHT.

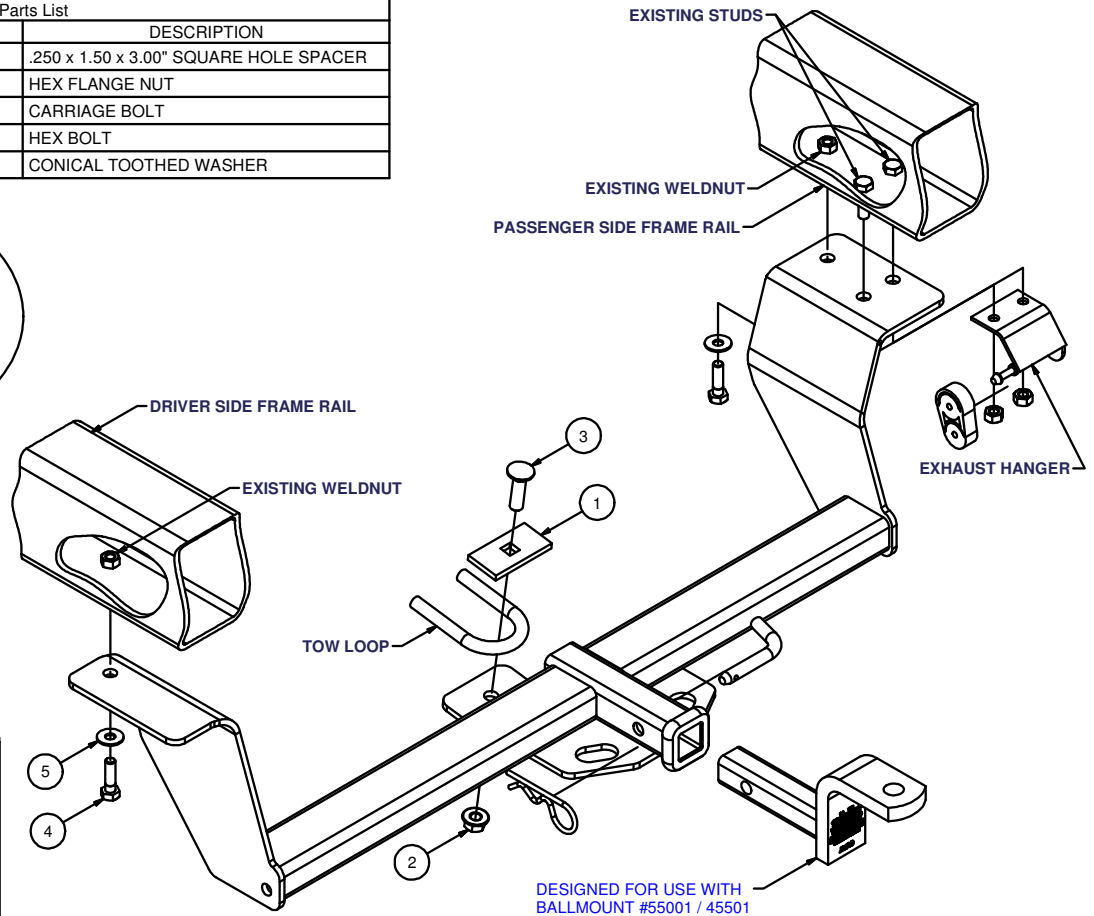
**\*\*\*DO NOT EXCEED VEHICLE MANUFACTURER'S RECOMMENDED TOWING CAPACITY.\*\*\*****WARNING: ALL NON-TRAILER LOADS APPLIED TO THIS PRODUCT MUST BE SUPPORTED BY AUXILIARY STABILIZING STRAPS.****\*\* FAILURE TO PROPERLY SUPPORT NON-TRAILER LOADS WILL VOID PRODUCT WARRANTY\*\*****HAVING INSTALLATION QUESTIONS? CALL TECHNICAL SUPPORT AT 1-800-798-0813**

Parts List			
ITEM	QTY	PART NUMBER	DESCRIPTION
1	1	CM-SP4	.250 x 1.50 x 3.00" SQUARE HOLE SPACER
2	1	HFN 1213	HEX FLANGE NUT
3	1	1/2-13 x 1 3/4	CARRIAGE BOLT
4	2	M10-1.25 x 35	HEX BOLT
5	2	3/8"	CONICAL TOOTHED WASHER



TRIM PLASTIC PANEL ON DRIVER SIDE FOR ADEQUATE HITCH CLEARANCE

**FRONT**  
↑  
**REAR**



HITCH WEIGHT: 30 LBS.

INSTALL TIME

PROFESSIONAL: 30 MINUTES

NOVICE (DIY): 60 MINUTES

INSTALL NOTES:

- NO DRILLING REQUIRED

- UNDERBODY PANEL

TRIMMING REQUIRED

**INSTALLATION STEPS**

1. Remove all fasteners holding the plastic trim panel in place on drivers side. Modification to panel required or leave panel off vehicle after hitch install.  
**(NOTE: DO NOT REMOVE CENTER TRIM PANEL)**
2. Lower exhaust hanger from frame.
3. Place spacer and carriage bolt in tow hook loop.
4. Raise hitch into position over muffler and onto existing muffler bracket studs. Secure hitch to tow hook loop with flange nut as shown.
5. Install M10 bolts and conical washers into existing weld nuts as shown.
6. Reinstall exhaust hanger bracket onto studs using existing hardware.
7. Torque all 1/2" fasteners to 110 lb-ft. and 10mm fasteners to 48 lb-ft.
8. Reinstall modified driver side trim panel with existing hardware.

**PERIODICALLY CHECK THIS RECEIVER HITCH TO ENSURE THAT ALL FASTENERS ARE TIGHT AND THAT ALL STRUCTURAL COMPONENTS ARE SOUND.**

Curt Manufacturing Inc., warrants this product to be free of defects in material and/or workmanship at the time of retail purchase by the original purchaser. If the product is found to be defective, Curt Manufacturing Inc., may repair or replace the product, at their option, when the product is returned, prepaid, with proof of purchase. Alteration to, misuse of, or improper installation of this product voids the warranty. Curt Manufacturing Inc.'s liability is limited to repair or replacement of products found to be defective, and specifically excludes liability for incidental or consequential loss or damage.