

11460**04-06 MITSUBISHI GALANT**

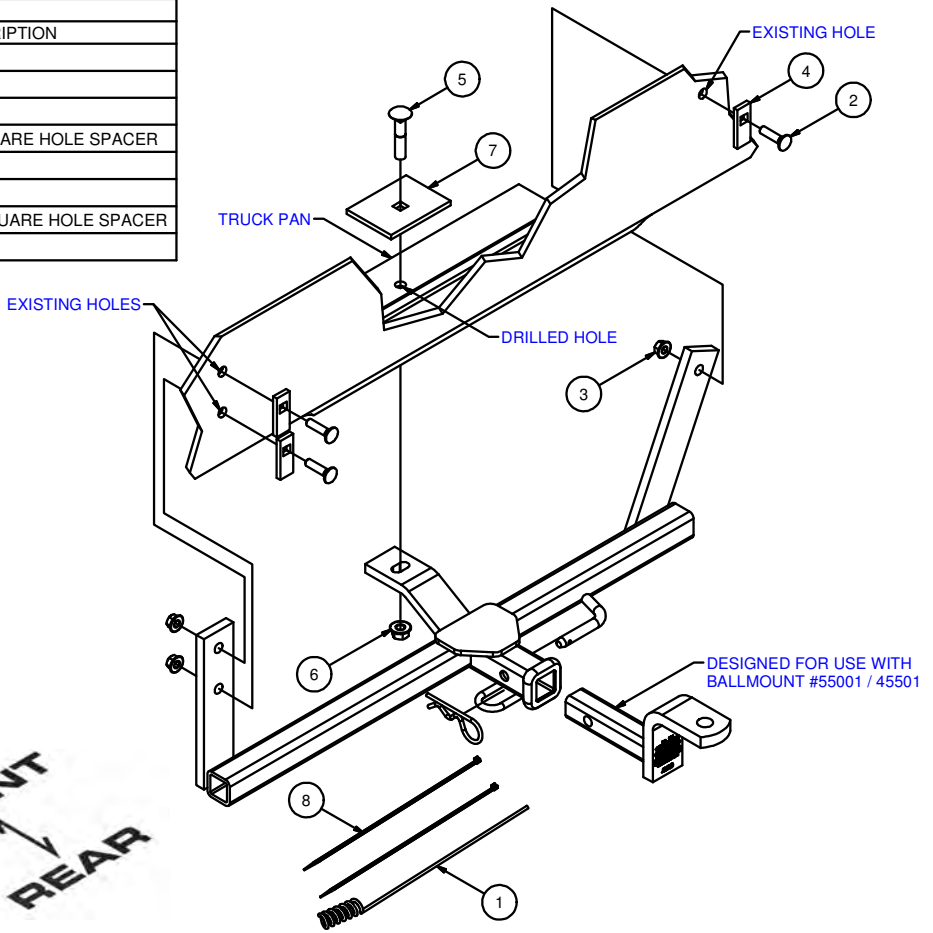
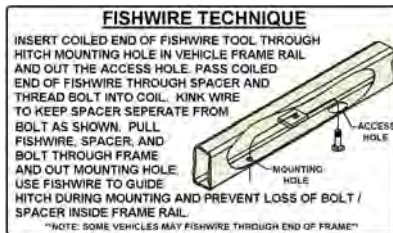
10/19/2012

GROSS LOAD CAPACITY WHEN USED AS A WEIGHT CARRYING HITCH: 2,000 LBS. TRAILER WEIGHT & 200 LBS. TONGUE WEIGHT.

*****DO NOT EXCEED VEHICLE MANUFACTURER'S RECOMMENDED TOWING CAPACITY.*******WARNING: ALL NON-TRAILER LOADS APPLIED TO THIS PRODUCT MUST BE SUPPORTED BY AUXILIARY STABILIZING STRAPS.****** FAILURE TO PROPERLY SUPPORT NON-TRAILER LOADS WILL VOID PRODUCT WARRANTY****

HAVING INSTALLATION QUESTIONS? CALL TECHNICAL SUPPORT AT 1-800-798-0813

Parts List			
ITEM	QTY	PART NUMBER	DESCRIPTION
1	1	CM-.375-FW	FISHWIRE TOOL
2	3	3/8-16 x 1 1/2	CARRIAGE BOLT
3	3	HFN3816	HEX FLANGE NUT
4	3	CM-SP2	.250 x .88 x 2.25" SQUARE HOLE SPACER
5	1	1/2-13 x 2 1/2 LG.	CARRIAGE BOLT
6	1	HFN 1213	HEX FLANGE NUT
7	1	CM-SP28	.250 x 3.00 x 4.00" SQUARE HOLE SPACER
8	2	10"	CABLE TIE



HITCH WEIGHT: 28 LBS.

INSTALL TIME

PROFESSIONAL: 60 MINUTES

NOVICE (DIY): 120 MINUTES

INSTALL NOTES:

DRILLING REQUIRED
FISHWIRE FASTENERS
SPARE TIRE REMOVAL

INSTALLATION STEPS

- 1) Remove (2) M10 bumper fascia bolts. (Discard)
- 2) Remove (2) plastic fasteners securing bumper trim panel. (Reuse later)
- 3) Remove spare tire from trunk. (Replace after hitch install)
- 4) Fishwire 3/8" bolts and spacers through existing holes in trunk pan as shown.
- 5) Lift hitch into position over bolts and secure with flange nuts, finger tighten.
- 6) Mark and center punch hole location on the bottom of trunk pan. Drill using a 17/32" drill through trunk pan.
- 7) Install 1/2" carriage bolt and spacer from inside trunk through drilled hole as shown, secure with flange nut. (Note: seal hole in trunk pan with silicone.)
- 8) Torque all 3/8" fasteners to 45 lb-ft and all 1/2" fasteners to 110 lb-ft.
- 9) Use black cable ties to secure bumper fascia. Reinstall plastic fasteners removed in step 2 and replace spare removed in step 3.

PERIODICALLY CHECK THIS RECEIVER HITCH TO ENSURE THAT ALL FASTENERS ARE TIGHT AND THAT ALL STRUCTURAL COMPONENTS ARE SOUND.

Curt Manufacturing Inc., warrants this product to be free of defects in material and/or workmanship at the time of retail purchase by the original purchaser. If the product is found to be defective, Curt Manufacturing Inc., may repair or replace the product, at their option, when the product is returned, prepaid, with proof of purchase. Alteration to, misuse of, or improper installation of this product voids the warranty. Curt Manufacturing Inc.'s liability is limited to repair or replacement of products found to be defective, and specifically excludes liability for incidental or consequential loss or damage.