

11462 MITSUBISHI GALANT SEDAN 2.4L SINGLE EXHAUST

10/19/2012

PAGE 1 of 2

GROSS LOAD CAPACITY WHEN USED AS A WEIGHT CARRYING HITCH: 2,000 LBS. TRAILER WEIGHT & 200 LBS. TONGUE WEIGHT.

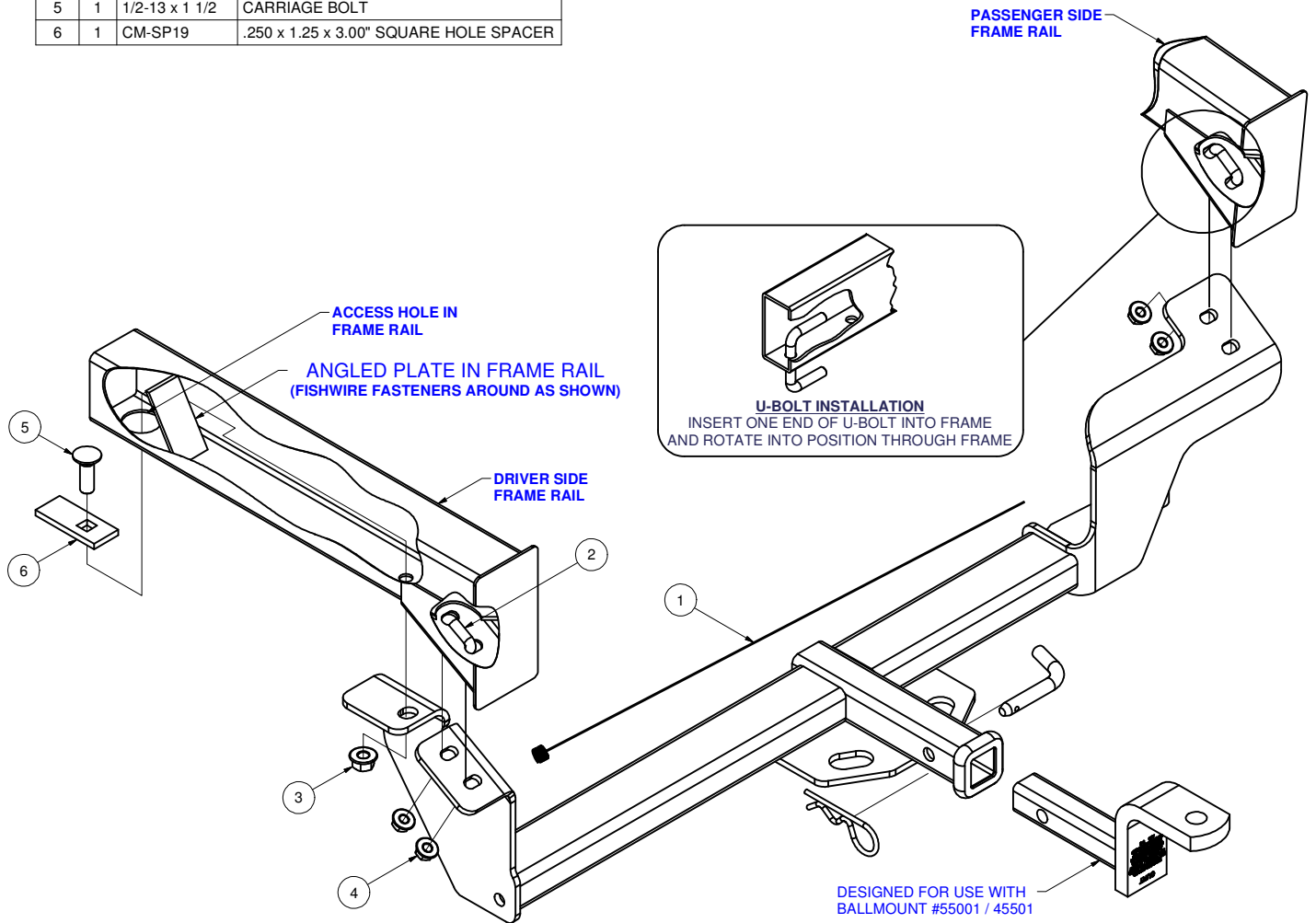
*****DO NOT EXCEED VEHICLE MANUFACTURER'S RECOMMENDED TOWING CAPACITY.*****

WARNING: ALL NON-TRAILER LOADS APPLIED TO THIS PRODUCT MUST BE SUPPORTED BY AUXILIARY STABILIZING STRAPS.

**** FAILURE TO PROPERLY SUPPORT NON-TRAILER LOADS WILL VOID PRODUCT WARRANTY****

HAVING INSTALLATION QUESTIONS? CALL TECHNICAL SUPPORT AT 1-800-798-0813

Parts List			
ITEM	QTY	PART NUMBER	DESCRIPTION
1	1	1_2 FISHWIRE	1/2" FISHWIRE
2	2	CM-3802-UBS	3/8-16 x 1.06 x 1.38" C-C U-BOLT
3	1	HFN 1213	HEX FLANGE NUT
4	4	HFN3816	HEX FLANGE NUT
5	1	1/2-13 x 1 1/2	CARRIAGE BOLT
6	1	CM-SP19	.250 x 1.25 x 3.00" SQUARE HOLE SPACER



HITCH WEIGHT: 28 LBS.

INSTALL TIME

PROFESSIONAL: 40 MINUTES

NOVICE (DIY): 80 MINUTES

INSTALL NOTES:

- LOWER EXHAUST
- REMOVE HEAT SHIELD
- FISHWIRING REQUIRED
- NO DRILLING REQUIRED

PERIODICALLY CHECK THIS RECEIVER HITCH TO ENSURE THAT ALL FASTENERS ARE TIGHT AND THAT ALL STRUCTURAL COMPONENTS ARE SOUND.

Curt Manufacturing Inc., warrants this product to be free of defects in material and/or workmanship at the time of retail purchase by the original purchaser. If the product is found to be defective, Curt Manufacturing Inc., may repair or replace the product, at their option, when the product is returned, prepaid, with proof of purchase. Alteration to, misuse of, or improper installation of this product voids the warranty. Curt Manufacturing Inc.'s liability is limited to repair or replacement of products found to be defective, and specifically excludes liability for incidental or consequential loss or damage.

11462 MITSUBISHI GALANT SEDAN 2.4L SINGLE EXHAUST

10/19/2012

PAGE 2 of 2

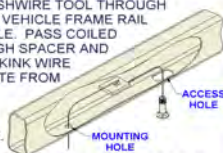
HAVING INSTALLATION QUESTIONS? CALL TECHNICAL SUPPORT AT 1-800-798-0813

TOOLS REQUIRED

RATCHET
6" EXTENSION
3/4" SOCKET
9/16" SOCKET
12mm SOCKET
10mm SOCKET
TORQUE WRENCH

FISHWIRE TECHNIQUE

INSERT COILED END OF FISHWIRE TOOL THROUGH HITCH MOUNTING HOLE IN VEHICLE FRAME RAIL AND OUT THE ACCESS HOLE. PASS COILED END OF FISHWIRE THROUGH SPACER AND THREAD BOLT INTO COIL. KINK WIRE TO KEEP SPACER SEPERATE FROM BOLT AS SHOWN. PULL FISHWIRE, SPACER, AND BOLT THROUGH FRAME AND OUT MOUNTING HOLE. USE FISHWIRE TO GUIDE HITCH DURING MOUNTING AND PREVENT LOSS OF BOLT / SPACER INSIDE FRAME RAIL.



NOTE: SOME VEHICLES MAY FISHWIRE THROUGH END OF FRAME

RUBBER ISOLATOR REMOVAL DIAGRAM

This technique can be used if an Exhaust Hanger Removal Pliers is not available.

Using a 5/8" open end wrench, slide the wrench up to the rubber isolator, cradling the hanger rod as shown. Next place the flat edge of a pry bar between the wrench and the hanger stop or hanger rod. Then simply rotate the pry bar toward the wrench to remove the rubber isolator.

Note: Using a spray lubricant or soapy water on the hanger rod and the rubber isolator helps removal.



INSTALLATION STEPS

- 1) Lower exhaust by removing bolt in rear rubber hanger. Remove exhaust hear shield.
- 2) Fishwire the 1/2" bolt and into position using access hole as shown.

NOTE: Fishwire bolt through frame on inside of frame rail.

- 3) Place U-bolts into position as shown in the above diagram.
- 4) Raise hitch into position, being carefull not to push fasteners into frame.
- 5) Attach hitch with remaining fasteners as shown.
- 6) Torque all 1/2" fasteners to 110 lb-ft, and all 3/8" fasteners to 45 lb-ft.
- 7) Re-install heat shield. Raise exhaust into position, and re-install original bolt.

PERIODICALLY CHECK THIS RECEIVER HITCH TO ENSURE THAT ALL FASTENERS ARE TIGHT AND THAT ALL STRUCTURAL COMPONENTS ARE SOUND.