

11494**SUBARU TRIBECA SPORT WAGON****10/19/2012****GROSS LOAD CAPACITY WHEN USED AS A WEIGHT CARRYING HITCH: 2,000 LBS. TRAILER WEIGHT & 200 LBS. TONGUE WEIGHT.**

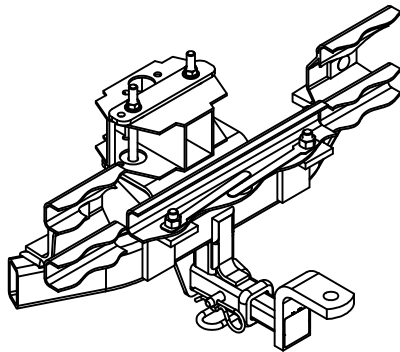
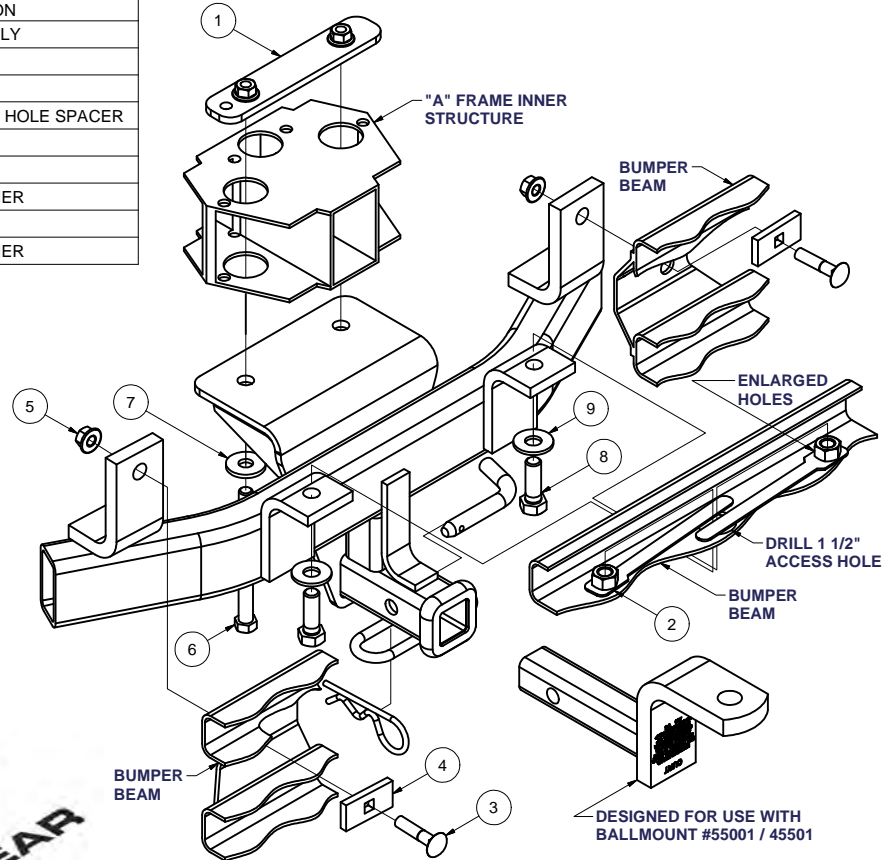
DO NOT EXCEED VEHICLE MANUFACTURER'S RECOMMENDED TOWING CAPACITY.

WARNING: ALL NON-TRAILER LOADS APPLIED TO THIS PRODUCT MUST BE SUPPORTED BY AUXILIARY STABILIZING STRAPS.

** FAILURE TO PROPERLY SUPPORT NON-TRAILER LOADS WILL VOID PRODUCT WARRANTY**

HAVING INSTALLATION QUESTIONS? CALL TECHNICAL SUPPORT AT 1-800-798-0813

Parts List				
ITEM	QTY	PART NUMBER	DESCRIPTION	
1	1	CM-11494-WP	WELDNUT PLATE ASSEMBLY	
2	2	1/2-13	HANDLE NUT	
3	2	3/8 - 16 x 1 3/4	CARRIAGE BOLT	
4	2	CM-SP18	.250 x 1.00 x 2.00" SQUARE HOLE SPACER	
5	2	HFN3816	HEX FLANGE NUT	
6	2	7/16-14 x 5	HEX BOLT	
7	2	7/16"	CONICAL TOOTHED WASHER	
8	2	1/2 - 13 x 1 1/2	HEX BOLT	
9	2	1/2"	CONICAL TOOTHED WASHER	

HITCH FULLY INSTALLEDHITCH WEIGHT: 27 LBS.INSTALL TIME

PROFESSIONAL: 60 MINUTES

NOVICE (DIY): 120 MINUTES

INSTALL NOTES:

- REMOVE / REINSTALL SPARE TIRE
- DRILLING REQUIRED

**INSTALLATION STEPS**

1. Lower spare tire from vehicle.
2. Drill a 1 1/2" access hole between the two existing holes in the center of the bumper beam as shown.
3. Enlarge the two existing outer holes in the bottom of the bumper beam for 1/2" bolts.
4. Place the backing plate on top of the "A" frame structure as shown.
5. Raise hitch into position and secure with 5" hex bolts through hitch, existing holes in A-frame, and into backing plate.
6. Insert the 1/2" handle nuts through the 1 1/2" access hole and secure hitch with 1 1/2" hex bolts as shown.
7. Insert the carriage bolts and spacers through existing holes in bumper beam and secure with flange nuts.
8. Torque all 3/8" fasteners to 45 ft-lbs, all 7/16" fasteners to 70 ft-lbs, and all 1/2" fasteners to 110 ft-lbs.
9. Reinstall spare tire. (Note, spare must be raised into position back end first).

PERIODICALLY CHECK THIS RECEIVER HITCH TO ENSURE THAT ALL FASTENERS ARE TIGHT AND THAT ALL STRUCTURAL COMPONENTS ARE SOUND.

Curt Manufacturing Inc., warrants this product to be free of defects in material and/or workmanship at the time of retail purchase by the original purchaser. If the product is found to be defective, Curt Manufacturing Inc., may repair or replace the product, at their option, when the product is returned, prepaid, with proof of purchase. Alteration to, misuse of, or improper installation of this product voids the warranty. Curt Manufacturing Inc.'s liability is limited to repair or replacement of products found to be defective, and specifically excludes liability for incidental or consequential loss or damage.