

11532

91-93 GEO STORM, 91 GSI COUPE

12/14/2012

GROSS LOAD CAPACITY WHEN USED AS A WEIGHT CARRYING HITCH: 2,000 LBS. TRAILER WEIGHT & 200 LBS. TONGUE WEIGHT.

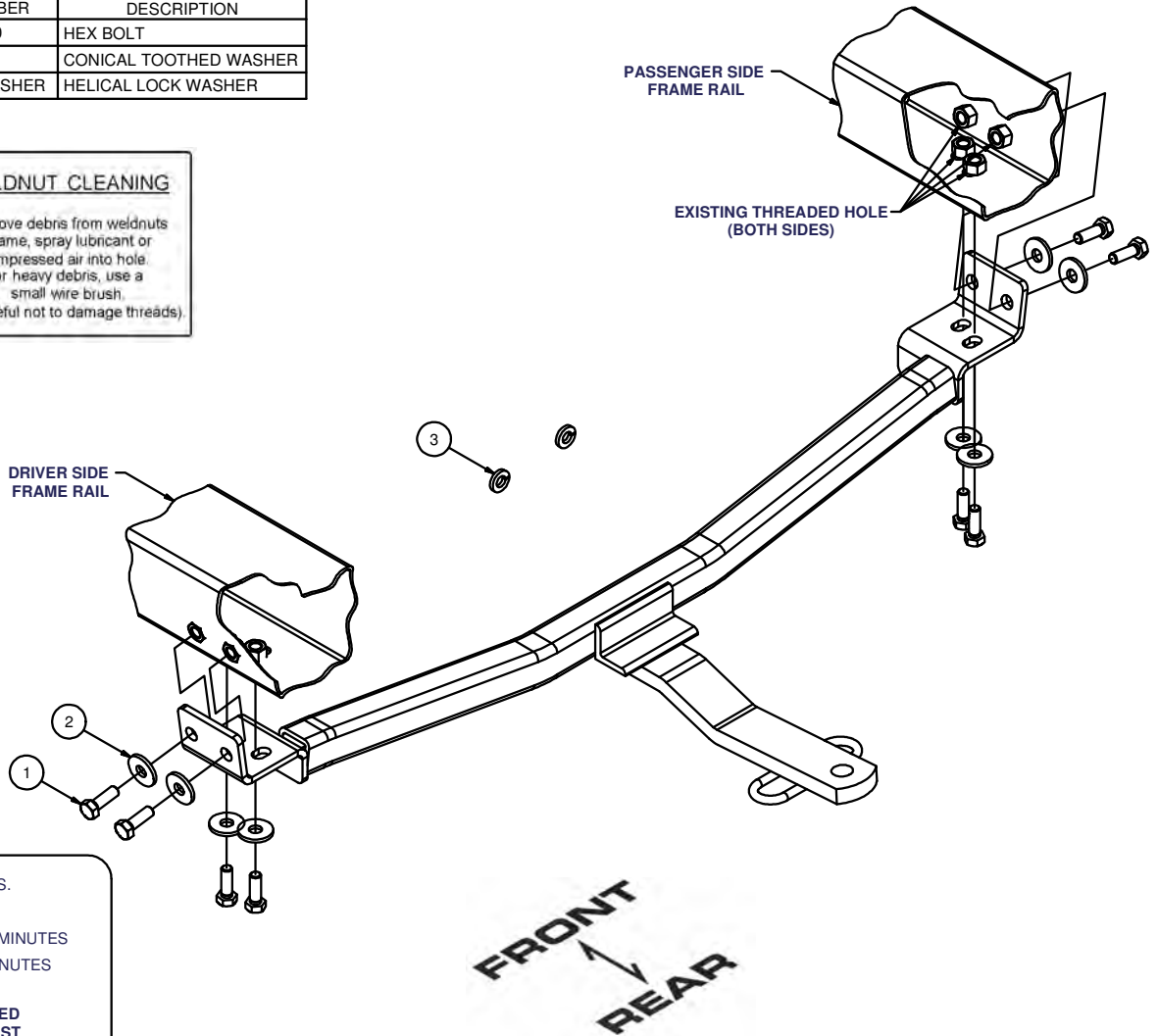
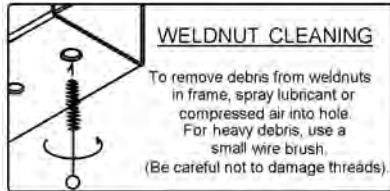
\*\*\*DO NOT EXCEED VEHICLE MANUFACTURER'S RECOMMENDED TOWING CAPACITY.\*\*\*

WARNING: ALL NON-TRAILER LOADS APPLIED TO THIS PRODUCT MUST BE SUPPORTED BY 18050 STABILIZING STRAPS.

\*\* FAILURE TO PROPERLY SUPPORT NON-TRAILER LOADS WILL VOID PRODUCT WARRANTY\*\*

HAVING INSTALLATION QUESTIONS? CALL TECHNICAL SUPPORT AT 1-800-798-0813

Parts List			
ITEM	QTY	PART NUMBER	DESCRIPTION
1	8	M10 - 1.25 x 30	HEX BOLT
2	8	7/16"	CONICAL TOOTHED WASHER
3	2	7/16 LOCK WASHER	HELICAL LOCK WASHER



HITCH WEIGHT: 17 LBS.  
 INSTALL TIME  
 PROFESSIONAL: 20 MINUTES  
 NOVICE (DIY): 40 MINUTES  
 INSTALL NOTES:  
 - NO DRILLING REQUIRED  
 - MAY REQUIRE EXHAUST LOWERING TO EASE INSTALL  
 - REMOVE TIE DOWN BRACKETS

**INSTALLATION STEPS**

1. Underneath the rear of the vehicle, locate the frame rails and the tie down brackets (loops) bolted to each of these frame rails. Remove both tie down brackets and return them to the vehicle's owner for reinstallation should the hitch ever be removed.
2. This hitch will fasten to the vehicle's frame where the brackets were removed. The hitch can be worked above the exhaust extensions; or the exhaust may be lowered temporarily for installation. Install supplied fasteners as shown above.

NOTE: If interference exists between adjacent washers, substitute lock washer for (1) conical toothed washer.

3. Torque all 10mm fasteners to 48 lb-ft.

**PERIODICALLY CHECK THIS RECEIVER HITCH TO ENSURE THAT ALL FASTENERS ARE TIGHT AND THAT ALL STRUCTURAL COMPONENTS ARE SOUND.**

Curt Manufacturing Inc., warrants this product to be free of defects in material and/or workmanship at the time of retail purchase by the original purchaser. If the product is found to be defective, Curt Manufacturing Inc., may repair or replace the product, at their option, when the product is returned, prepaid, with proof of purchase. Alteration to, misuse of, or improper installation of this product voids the warranty. Curt Manufacturing Inc.'s liability is limited to repair or replacement of products found to be defective, and specifically excludes liability for incidental or consequential loss or damage.