

**11546****86-89 NISSAN STANZA 4WD WAGON**

12/14/2012

GROSS LOAD CAPACITY WHEN USED AS A WEIGHT CARRYING HITCH: 1,500 LBS. TRAILER WEIGHT &amp; 150 LBS. TONGUE WEIGHT.

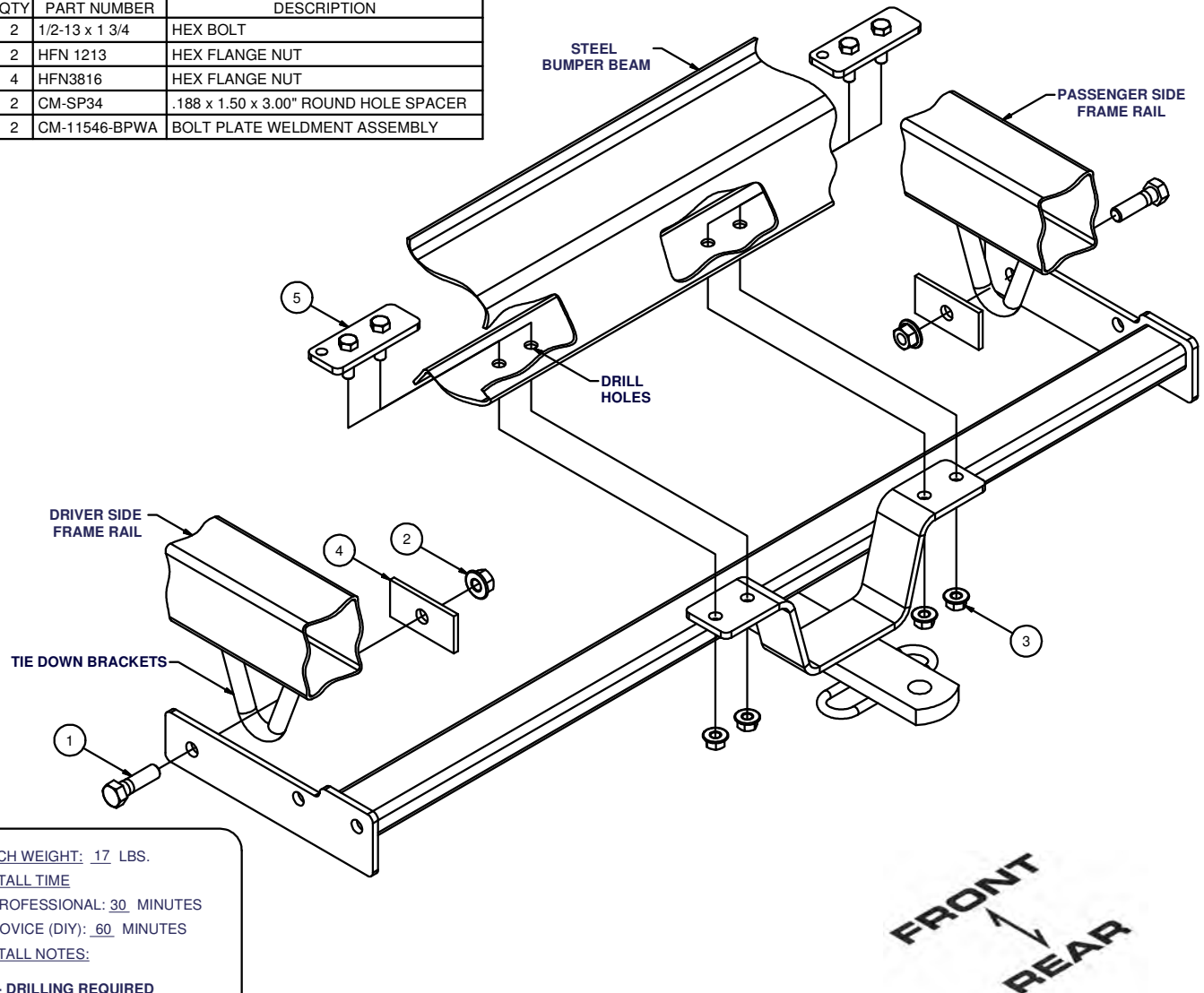
**\*\*\*DO NOT EXCEED VEHICLE MANUFACTURER'S RECOMMENDED TOWING CAPACITY.\*\*\***

WARNING: ALL NON-TRAILER LOADS APPLIED TO THIS PRODUCT MUST BE SUPPORTED BY 18050 STABILIZING STRAPS.

**\*\* FAILURE TO PROPERLY SUPPORT NON-TRAILER LOADS WILL VOID PRODUCT WARRANTY\*\***

HAVING INSTALLATION QUESTIONS? CALL TECHNICAL SUPPORT AT 1-800-798-0813

Parts List			
ITEM	QTY	PART NUMBER	DESCRIPTION
1	2	1/2-13 x 1 3/4	HEX BOLT
2	2	HFN 1213	HEX FLANGE NUT
3	4	HFN3816	HEX FLANGE NUT
4	2	CM-SP34	.188 x 1.50 x 3.00" ROUND HOLE SPACER
5	2	CM-11546-BPWA	BOLT PLATE WELDMENT ASSEMBLY



HITCH WEIGHT: 17 LBS.

**INSTALL TIME**

PROFESSIONAL: 30 MINUTES

NOVICE (DIY): 60 MINUTES

**INSTALL NOTES:**

- DRILLING REQUIRED
- FASCIA TRIMMING REQUIRED

**INSTALLATION STEPS**

1. Position the hitch on the vehicle with side plates against the outside of the vehicle's (2) tie down brackets. Loosely install fasteners as shown.
2. Trim the bumper fascia to allow the hitch bumper bracket to sit on the bottom surface of the steel inner bumper. Using hitch as a template, mark and drill bumper (4) places for 3/8" bolts.
3. Lower the hitch and place bolt plates (CM-11546-BPWA) inside the steel bumper so that the bolts extend out of the bottom. Mount the hitch on these bolts using fasteners as shown.
4. Torque all 3/8" fasteners to 45 lb-ft, and all 1/2" fasteners to 110 lb-ft.

**PERIODICALLY CHECK THIS RECEIVER HITCH TO ENSURE THAT ALL FASTENERS ARE TIGHT AND THAT ALL STRUCTURAL COMPONENTS ARE SOUND.**

Curt Manufacturing Inc., warrants this product to be free of defects in material and/or workmanship at the time of retail purchase by the original purchaser. If the product is found to be defective, Curt Manufacturing Inc., may repair or replace the product, at their option, when the product is returned, prepaid, with proof of purchase. Alteration to, misuse of, or improper installation of this product voids the warranty. Curt Manufacturing Inc.'s liability is limited to repair or replacement of products found to be defective, and specifically excludes liability for incidental or consequential loss or damage.