

11553

## 82-86 NISSAN SENTRA WAGON

3/25/2013

GROSS LOAD CAPACITY WHEN USED AS A WEIGHT CARRYING HITCH: 1,500 LBS. TRAILER WEIGHT &amp; 150 LBS. TONGUE WEIGHT.

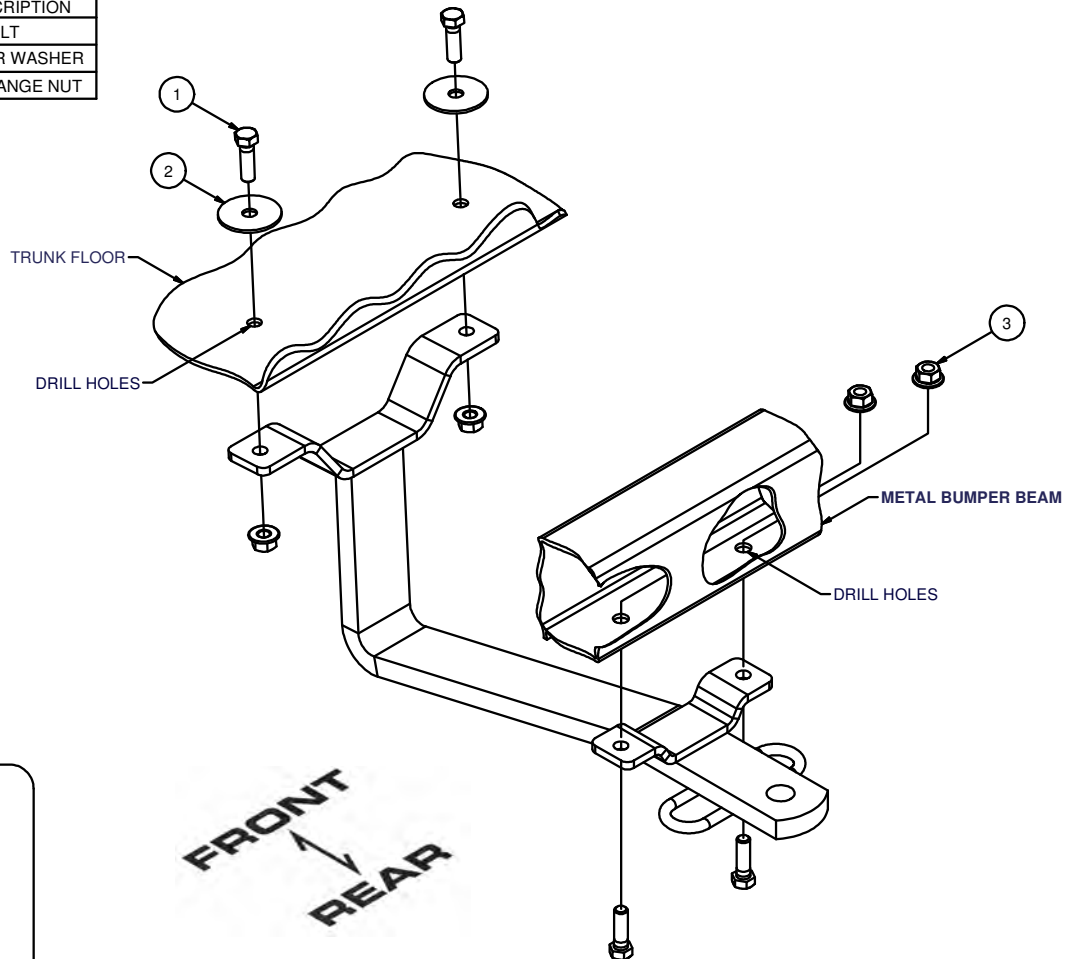
\*\*\*DO NOT EXCEED VEHICLE MANUFACTURER'S RECOMMENDED TOWING CAPACITY.\*\*\*

WARNING: ALL NON-TRAILER LOADS APPLIED TO THIS PRODUCT MUST BE SUPPORTED BY 18050 STABILIZING STRAPS.

\*\* FAILURE TO PROPERLY SUPPORT NON-TRAILER LOADS WILL VOID PRODUCT WARRANTY\*\*

HAVING INSTALLATION QUESTIONS? CALL TECHNICAL SUPPORT AT 1-800-798-0813

Parts List			
ITEM	QTY	PART NUMBER	DESCRIPTION
1	4	3/8 - 16 x 1 1/4	HEX BOLT
2	2	3/8"	FENDER WASHER
3	4	HFN3816	HEX FLANGE NUT

HITCH WEIGHT: 10 LBS.

## INSTALL TIME

PROFESSIONAL: 30 MINUTESNOVICE (DIY): 60 MINUTES

## INSTALL NOTES:

- REMOVE SPARE TIRE
- TRIM FASCIA
- DRILLING REQUIRED
- SILICONE SEAL HARDWARE

**INSTALLATION STEPS**

1. Remove the spare tire. This hitch must fit against the trunk floor and the steel bottom surface of the rear bumper. The plastic covering must be cut away for the hitch bumper bracket to fit directly against the steel bumper. Be certain the hitch is centered and square with the vehicle with enough bumper / ball clearance.
2. Using the hitch as a template, drill (2) holes in the rear bumper and (3) places in the trunk floor for 3/8" diameter hardware. The hitch should be carefully positioned on the vehicle so the hardware at the trunk floor passes through a single sheet metal layer.
3. Bolt the hitch to the bumper using fasteners as shown. Bolt the hitch to the floor using fasteners as shown, making sure to position the fender washers inside the trunk.
4. Torque all 3/8" fasteners to 45 lb-ft.
5. Silicone seal hardware installed through the trunk floor
6. Reinstall spare tire removed in Step 1.

**PERIODICALLY CHECK THIS RECEIVER HITCH TO ENSURE THAT ALL FASTENERS ARE TIGHT AND THAT ALL STRUCTURAL COMPONENTS ARE SOUND.**

Curt Manufacturing Inc., warrants this product to be free of defects in material and/or workmanship at the time of retail purchase by the original purchaser. If the product is found to be defective, Curt Manufacturing Inc., may repair or replace the product, at their option, when the product is returned, prepaid, with proof of purchase. Alteration to, misuse of, or improper installation of this product voids the warranty. Curt Manufacturing Inc.'s liability is limited to repair or replacement of products found to be defective, and specifically excludes liability for incidental or consequential loss or damage.