

11559

1987-1989 NISSAN 300 ZX

12/10/2012

GROSS LOAD CAPACITY WHEN USED AS A WEIGHT CARRYING HITCH: 1,500 LBS. TRAILER WEIGHT & 150 LBS. TONGUE WEIGHT.

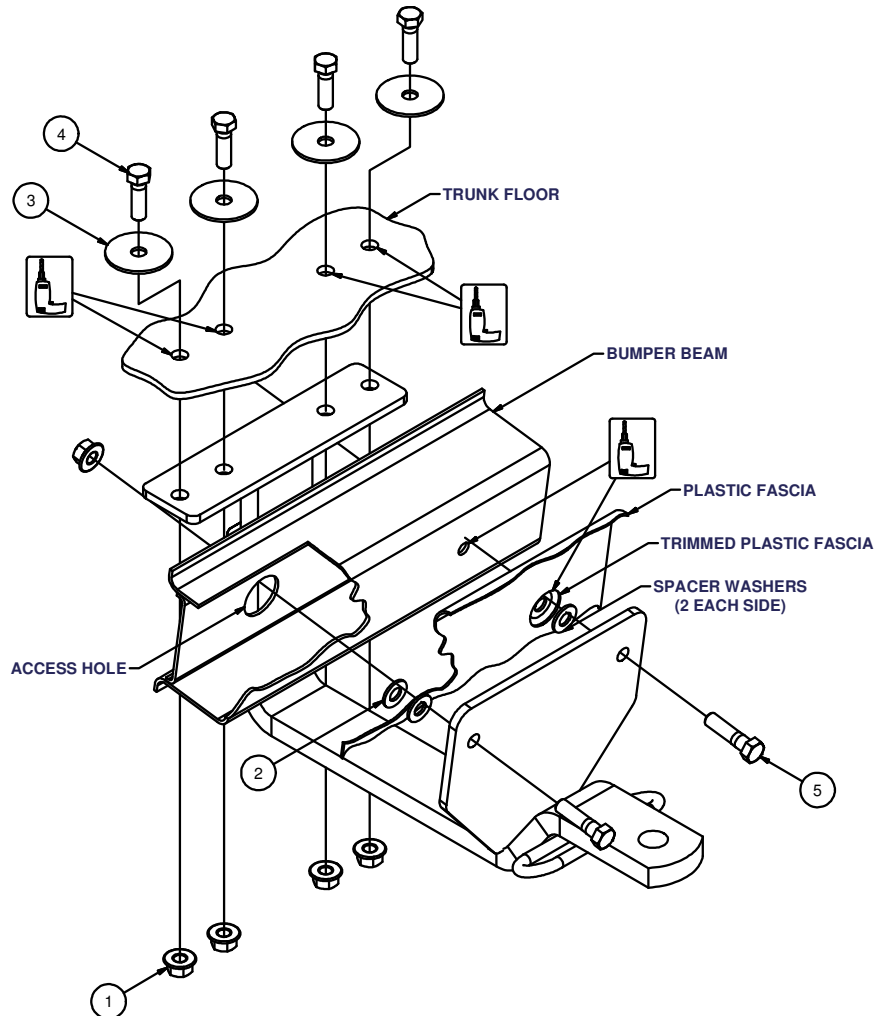
*****DO NOT EXCEED VEHICLE MANUFACTURER'S RECOMMENDED TOWING CAPACITY.*****

WARNING: ALL NON-TRAILER LOADS APPLIED TO THIS PRODUCT MUST BE SUPPORTED BY 18050 STABILIZING STRAPS.

**** FAILURE TO PROPERLY SUPPORT NON-TRAILER LOADS WILL VOID PRODUCT WARRANTY****

HAVING INSTALLATION QUESTIONS? CALL TECHNICAL SUPPORT AT 1-800-798-0813

Parts List			
ITEM	QTY	PART NUMBER	DESCRIPTION
1	6	HFN3816	HEX FLANGE NUT
2	4	3/8"	WASHER
3	4	3/8"	FENDER WASHER
4	4	3/8 - 16 x 1 1/4	HEX BOLT
5	2	3/8-16 X 1 1/2	HEX BOLT



HITCH WEIGHT: 13 LBS.

INSTALL TIME

PROFESSIONAL: 30 MINUTES

NOVICE (DIY): 60 MINUTES

INSTALL NOTES:

- DRILLING REQUIRED
- FASCIA TRIMMING REQUIRED
- SILICONE SEAL HARDWARE

INSTALLATION STEPS

1. Locate and mark the vehicles centerline at the rear bumper. Align hitch on vehicle centered and level, as shown. Using the hitch as a template mark drill holes. Inside the car, lift away floor covering where holes will be drilled.
2. Drill holes marked in Step (1) for 3/8" hardware. **Note:** The hitch bracket at bumper fits outside plastic fascia. Cut fascia to fit the spacer washers shown in diagram.
3. Mount the hitch to car using fasteners as shown. Pay attention to the location of washers with flat washers placed opposite hitch at bumper, and fender washers placed inside car at trunk floor.
4. Torque all 3/8" fasteners to 45 lb-ft.
5. Use silicone sealant to seal hardware installed through trunk floor.
6. Reinstall floor covering.

PERIODICALLY CHECK THIS RECEIVER HITCH TO ENSURE THAT ALL FASTENERS ARE TIGHT AND THAT ALL STRUCTURAL COMPONENTS ARE SOUND.

Curt Manufacturing Inc., warrants this product to be free of defects in material and/or workmanship at the time of retail purchase by the original purchaser. If the product is found to be defective, Curt Manufacturing Inc., may repair or replace the product, at their option, when the product is returned, prepaid, with proof of purchase. Alteration to, misuse of, or improper installation of this product voids the warranty. Curt Manufacturing Inc.'s liability is limited to repair or replacement of products found to be defective, and specifically excludes liability for incidental or consequential loss or damage.

217264