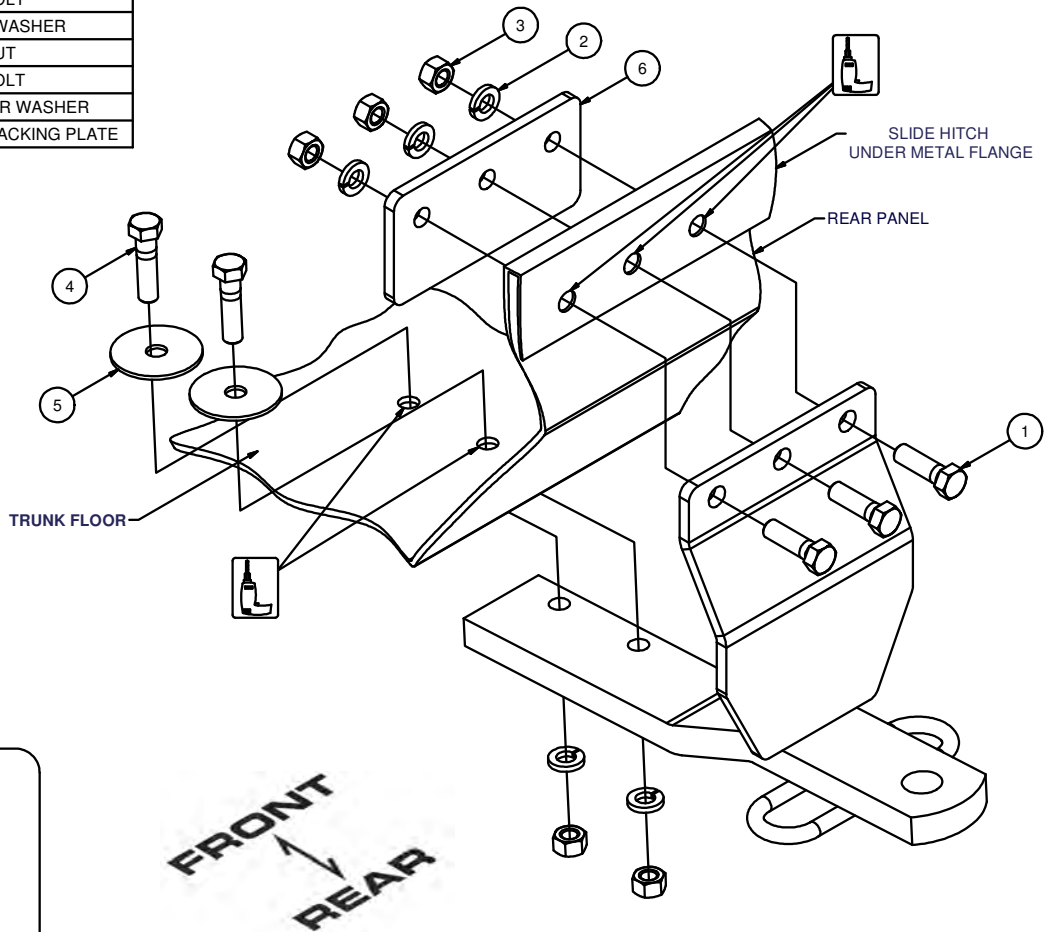


**11574****84-87 HONDA CIVIC 4 DOOR WAGON ONLY****3/25/2013****GROSS LOAD CAPACITY WHEN USED AS A WEIGHT CARRYING HITCH: 1,000 LBS. TRAILER WEIGHT & 100 LBS. TONGUE WEIGHT.****\*\*\*DO NOT EXCEED VEHICLE MANUFACTURER'S RECOMMENDED TOWING CAPACITY.\*\*\*****WARNING: ALL NON-TRAILER LOADS APPLIED TO THIS PRODUCT MUST BE SUPPORTED BY 18050 STABILIZING STRAPS.****\*\* FAILURE TO PROPERLY SUPPORT NON-TRAILER LOADS WILL VOID PRODUCT WARRANTY\*\*****HAVING INSTALLATION QUESTIONS? CALL TECHNICAL SUPPORT AT 1-800-798-0813**

Parts List			
ITEM	QTY	PART NUMBER	DESCRIPTION
1	3	3/8 - 16 x 1 1/4	HEX BOLT
2	5	3/8"	LOCK WASHER
3	5	3/8 - 16	HEX NUT
4	2	3/8-16 X 1 1/2	HEX BOLT
5	2	3/8"	FENDER WASHER
6	1	CM-11574-BP	.250" BACKING PLATE

**HITCH WEIGHT: 8 LBS.****INSTALL TIME**PROFESSIONAL: 45 MINUTESNOVICE (DIY): 90 MINUTES**INSTALL NOTES:**

- DRILLING REQUIRED
- CLEAR TRUNK
- SILICONE SEAL HARDWARE

**INSTALLATION STEPS**

1. Locate and mark the vehicle's centerline at the floor and the rear panel. Clear the trunk to permit drilling for the hitch.
2. Position the hitch centered and square with the vehicle against the trunk floor and the rear panel. Note that the hitch bracket slides under a metal edge to mate with the rear panel. Using the hitch as a template, mark and drill (5) holes for 3/8" fasteners; (3) in the rear panel and (2) in the trunk floor.
3. Fasten the hitch to the vehicle using fasteners as shown. Be sure to use the CM-11574-BP backing plate inside the rear panel and fender washes inside the trunk floor.
4. Torque all 3/8" fasteners to 45 lb-ft.
5. Use silicone sealant to seal hardware installed through trunk floor and rear panel.
6. Reinstall contents removed from trunk in Step 1.

**PERIODICALLY CHECK THIS RECEIVER HITCH TO ENSURE THAT ALL FASTENERS ARE TIGHT AND THAT ALL STRUCTURAL COMPONENTS ARE SOUND.**

Curt Manufacturing Inc., warrants this product to be free of defects in material and/or workmanship at the time of retail purchase by the original purchaser. If the product is found to be defective, Curt Manufacturing Inc., may repair or replace the product, at their option, when the product is returned, prepaid, with proof of purchase. Alteration to, misuse of, or improper installation of this product voids the warranty. Curt Manufacturing Inc.'s liability is limited to repair or replacement of products found to be defective, and specifically excludes liability for incidental or consequential loss or damage.